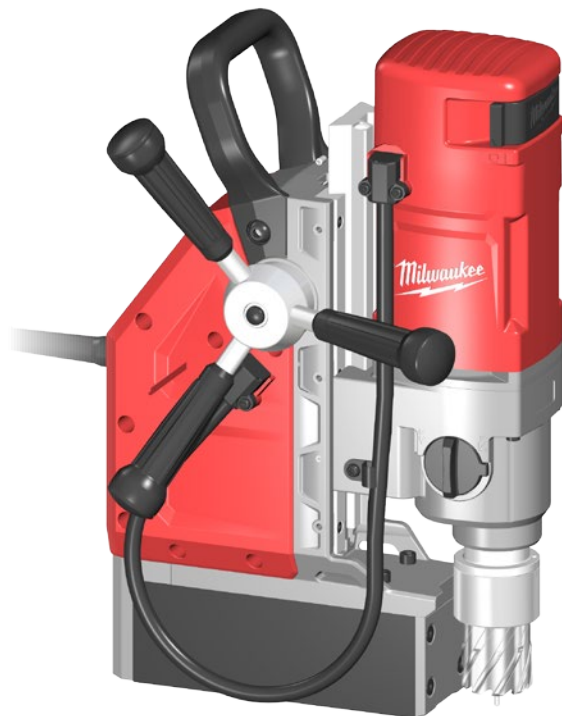


Milwaukee®

Nothing but **HEAVY DUTY**.®



MDP 41 **MDE 41**

Original instructions
Originalbetriebsanleitung
Notice originale
Istruzioni originali
Manual original
Manual original
Oorspronkelijke
gebruiksaanwijzing
Original brugsanvisning
Original bruksanvisning
Bruksanvisning i original

Alkuperäiset ohjeet
Πρωτότυπο οδηγίων χρήσης
Orijinal işletme talimatı
Původním návodem k používání
Pôvodný návod na použitie
Instrukcją oryginalną
Eredeti használati utasítás
Izvirna navodila
Originalne pogonske upute
Instrukcijām oriēināvalodā
Originalni instrukcija

Algupärane kasutusjuhend
Оригинальное руководство
по эксплуатации
Οριγiνaλνο ρυκoυoδoσtvo
za
ekπλoαtαция
Instrucțiuni de folosire originale
Оригiнaлeн пpиpачник
za
paбoтa
Оригiнaл iнcтpуkцiї
з
ekπлoαtαцiї
التعليمات الأصلية

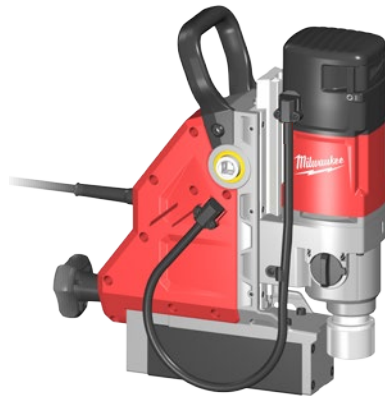
Technical Data, Safety Instructions, Specified Conditions of Use, EC-Declaration of Conformity, Mains connection, Maintenance, Symbols	Please read and save these instructions!	English	17
Technische Daten, Sicherheitshinweise, Bestimmungsgemäße Verwendung, CE-Konformitätserklärung, Netzanschluss, Wartung, Symbole	Bitte lesen und aufbewahren!	Deutsch	20
Caractéristiques techniques, Instructions de sécurité, Utilisation conforme aux prescriptions, Déclaration CE de Conformité, Branchement secteur, Entretien, Symboles	A lire et à conserver soigneusement	Français	23
Dati tecnici, Norme di sicurezza, Utilizzo conforme, Dichiarazione di Conformità CE, Collegamento alla rete, Manutenzione, Simboli	Si prega di leggere e conservare le istruzioni!	Italiano	26
Datos técnicos, Instrucciones de seguridad, Aplicación de acuerdo a la finalidad, Declaración de Conformidad CE, Conexión eléctrica, Mantenimiento, Símbolos	Lea y conserve estas instrucciones por favor!	Español	29
Características técnicas, Instruções de segurança, Utilização autorizada, Declaração de Conformidade CE, Ligação à rede, Manutenção, Símbolos	Por favor leia e conserve em seu poder!	Português	32
Technische gegevens, Veiligheidsadviezen, Voorgeschreven gebruik van het systeem, EC-Konformiteitsverklaring, Net aansluiting, Onderhoud, Symbolen	Lees en let goed op deze adviezen!	Nederlands	35
Tekniske data, Sikkerhedshenvisninger, Tiltænkning, CE-Konformitetserklæring, Netttilslutning, Vedligeholdelse, Symboler	Vær venlig at læse og opbevare!	Dansk	38
Tekniske data, Spesielle sikkerhetshenvisninger, Formålsmessig bruk, CE-Samsvarserklæring, Nettettkopling, Vedlikehold, Symboler	Vennligst les og oppbevar!	Norsk	41
Tekniska data, Säkerhetsutrustning, Använd maskinen Enligt anvisningarna, CEFörsäkrad, Nätanslutning, Skötsel, Symboler	Läs igenom och spara!	Svenska	44
Tekniset arvot, Turvallisuusohjeet, Tarkoituksenmukainen käyttö, Todistus CE-standardin mukaisuudesta, Verkkoliitäntä, Huolto, Symbolit	Lue ja säilytä!	Suomi	47
Τεχνικά στοιχεία, Ειδικές υποδείξεις ασφαλείας, Χρήση σύμφωνα με το σκοπό προοριζομένου, Δήλωση πιστότητας ΕΚ, Μηταρίες, Χαρακτηριστικά, Συντήρηση, Σύμβολα.	Παρακαλώ διαβάστε τις και φυλάξτε τις!	Ελληνικά	50
Teknik veriler, Güvenliğinizi için talimatlar, Kullanım, CE uygunluk beyanince, Şebeke bağlantısı, Bakım, Semboller	Lütfen okuyun ve saklayın	Türkçe	53
Technická data, Speciální bezpečnostní upozornění, Oblast využití, Ce-prohlášení o shodě, Připojení na síť, Údržba, Symboly	Po přečtení uschovejte	Česky	56
Technické údaje, Špeciálne bezpečnostné pokyny, Použitie podľa a predpisov, CE-Vyhľadanie konformity, Sieťová prípojka, Údržba, Symboly	Prosím prečítať a uschovať!	Slovensky	59
Dane techniczne, Specjalne zalecenia dotyczące bezpieczeñstwa, Użytkowanie zgodne z przeznaczeniem, Świadectwo zgodności ce, Podłączenie do sieci, Gwarancja, Symbole	Należy uważnie przeczytać i zachować do wglądu!	Polski	62
Műszaki adatok, Különleges biztonsági tudnivalók, Rendeltetésszerű használat, CE-azonosítási nyilatkozat, Hálózati csatlakoztatás, Karbantartás, Szimbólumok	Olvassa el és őrizze meg	Magyar	65
Tehnični podatki, Specialni varnostni napotki, Uporaba v skladu z namembnostjo, Ce-izjava o konformnosti, Omežni priključek, Vzdrževanje, Simboli	Prosimo preberite in shranite!	Slovensko	68
Tehnički podaci, Specijalne sigurnosne upute, Propisna upotreba, CE-Izjava konformnosti, Priključak na mrežu, Održavanje, Simboli	Molimo pročitati i sačuvati	Hrvatski	71
Tehniske dati, Speciálne drošības noteikumi, Noteikumiem atbilstošs izmantojums, Atbilstība CE normām, Tikla pieslēgums, Apkope, Simboli	Pielikums lietošanas pamācībai	Latviski	74
Techniniai duomenys, Ypatingos saugumo nuorodos, Naudojimas pagal paskirti, CE Atitikties pareiškimas, Elektros tinklo jungtis, Techninis aptarnavimas, Simboliai	Prašome perskaityti ir neišmesti!	Lietuviškai	77
Tehnilised andmed, Spetsiaalsed turvajuhised, Kasutamine vastavalt otstarbele, EÜ Vastavusavaldus, Võrku ühendamine, Hooldus, Sümbolid	Palun lugege läbi ja hoidke alal!	Eesti	80
Технические данные, Рекомендации по технике безопасности, Использо- вание, Подключение к электросети, Обслуживание, Символы	Пожалуйста прочтите и сохраните эту инструкцию.	Русский	83
Технически данни, Специални указания за безопасност, Използване по предназначение, CE-Декларация за съответствие, Свързване към мрежата, Поддръжка, Символи	Моля прочетете и запазете!	Български	87
Date tehnice, Instrucțiuni de securitate, Condiții de utilizare specificate, Declarație de conformitate, Accumulatori, Întreținere, Simboluri	Va rugăm citiți și păstrați aceste instrucțiuni	Română	90
Технички Податоци, Упатство За Употреба, Специфицирани Услови На Употреба, Еу-декларација За Сообразност, БАТЕРИИ, Одржување, Симболи	Ве молиме прочитајте го и чувајте го ова упатство!	Македонски	93
Технічні характеристики, Вказівки З Техніки Безпеки, Використання за призначенням, Сертифікат Відповідності Вимогам Єс, Підключення до мережі, Обслуговування, Символи	Прочитайте та збережіть цю інструкцію.	Українська	96
تعليمات السلامة، شروط الاستخدام المحددة، توصيل الموصلات الرئيسية، إعلان المطابقة - الاتحاد الأوروبي، الصيانة، الرموز	يرجى قراءة وحفظ هذه التعليمات!	العربية	101



MDE 41



MDP 41



2

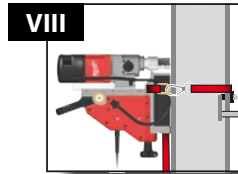
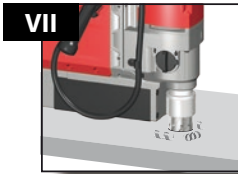
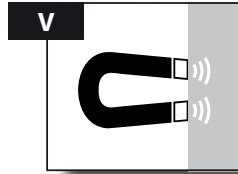
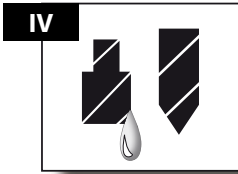
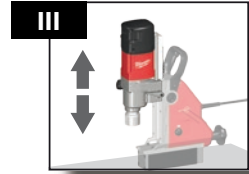
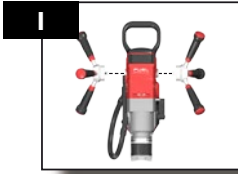


14



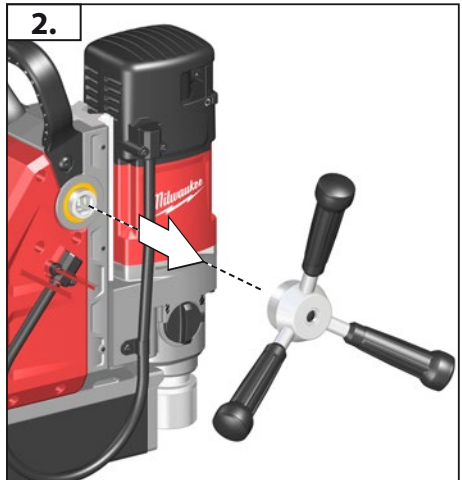
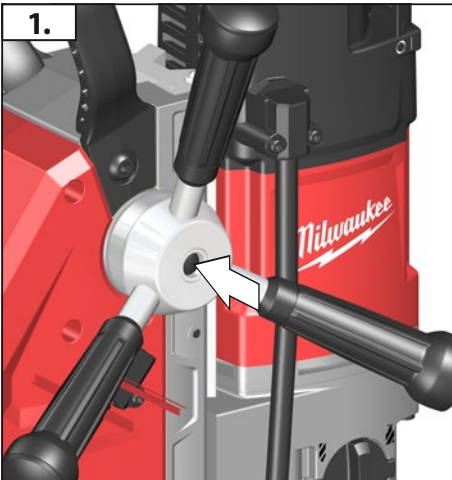
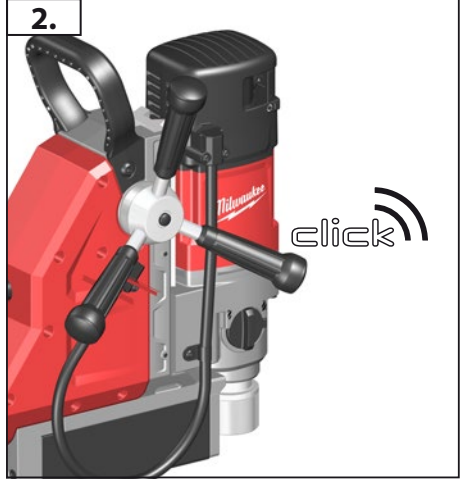
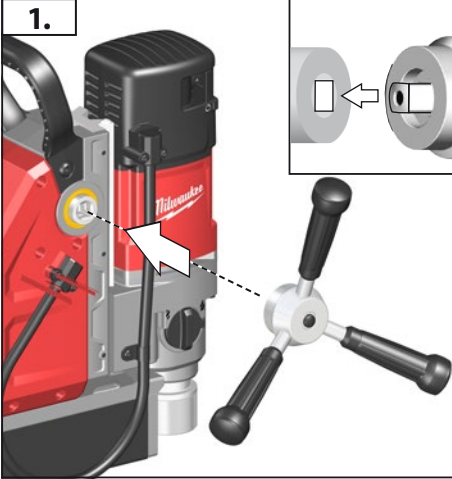
3

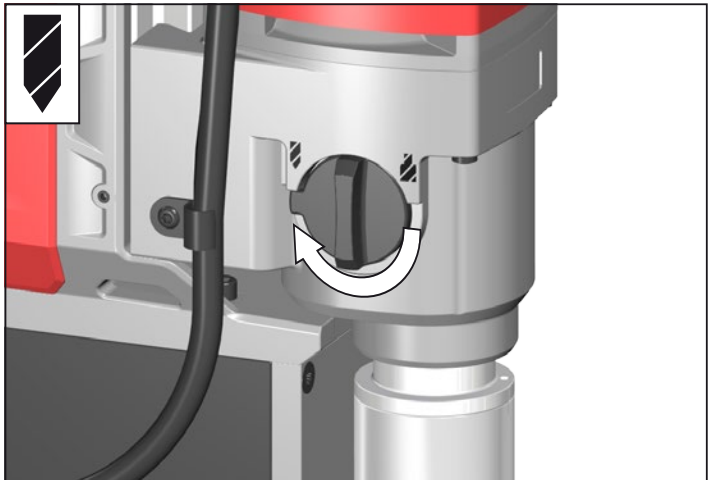
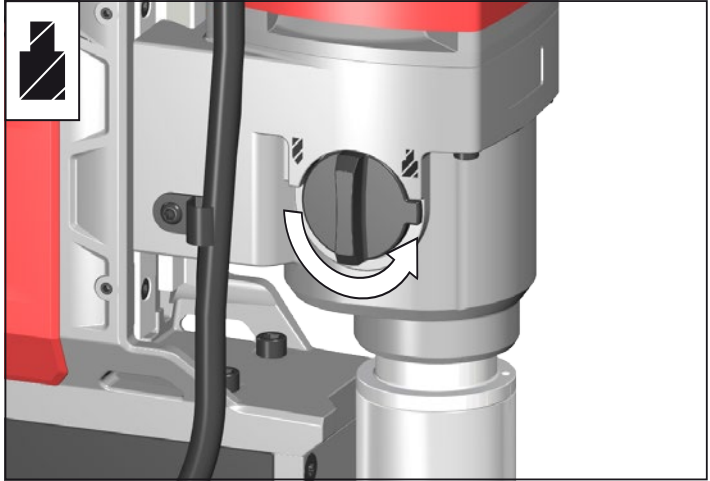
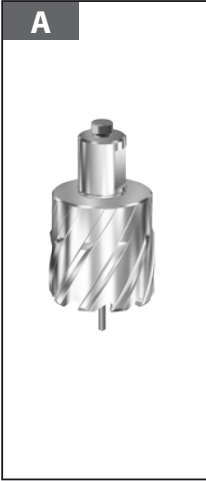


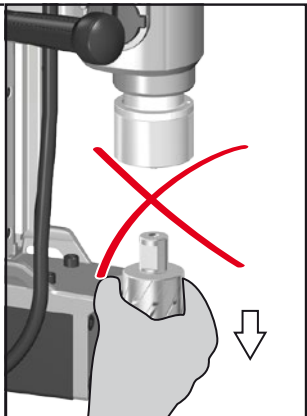
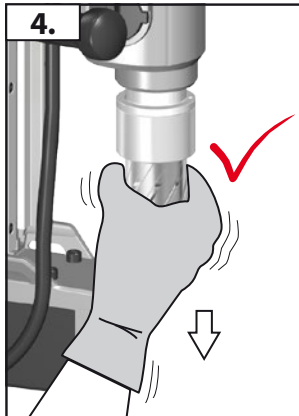
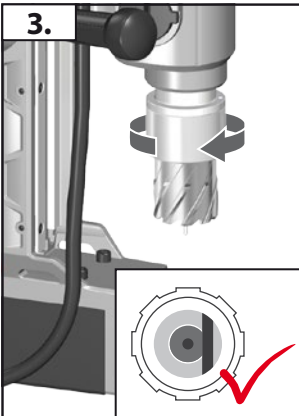
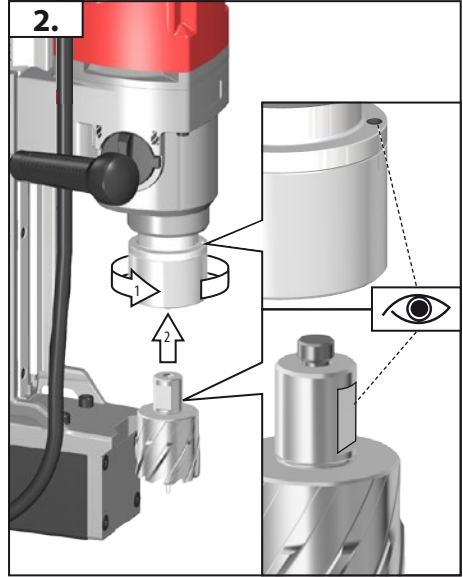
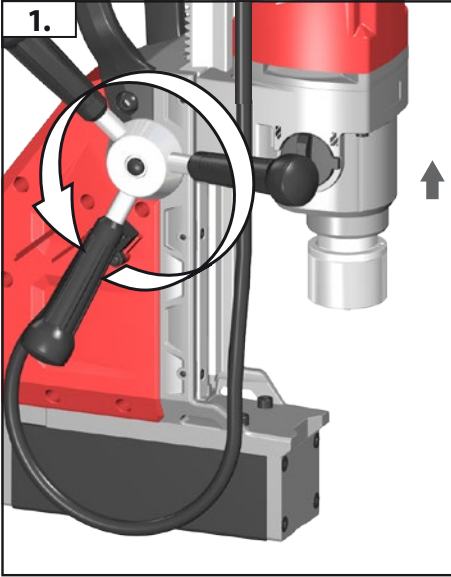


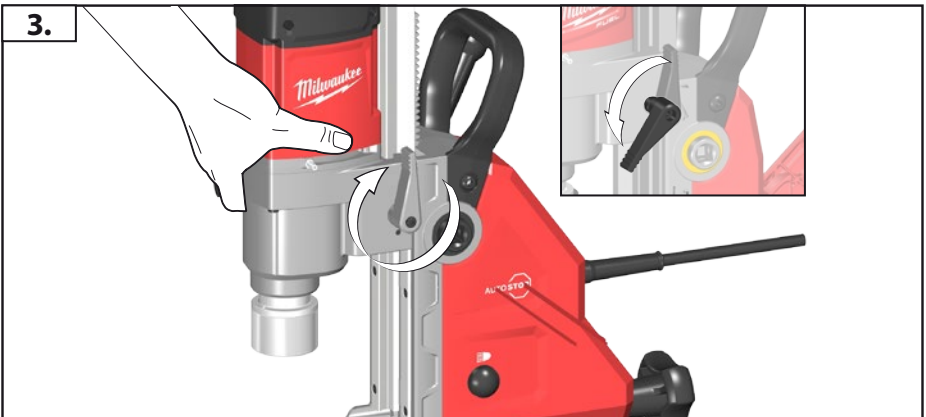
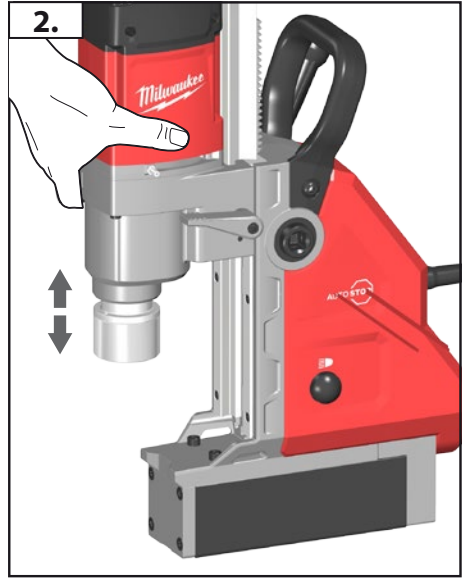
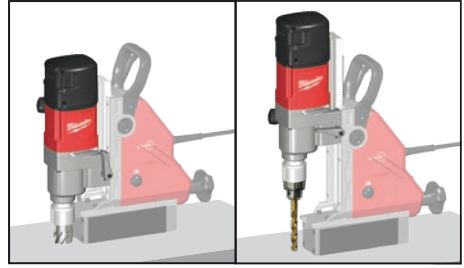
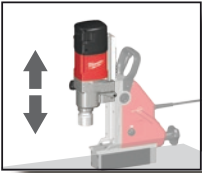
Accessory
Zubehör
Accessoires
Accessorio
Accessorio • Acessório
Toebehoren • Tillbehør
Tilbehør • Tillbehør
Lisälaite • Εξαρτήματα
Aksesuar • Принадлежности
Prisluženstvo • Wyposażenie
Azokát a tartozékokat
Oprema • Piederumi
Priedas • Tarvikud
Дополнитель • Аксессуары
Accesorii • ополнительна
oprema • Комплектуочи
الملحق

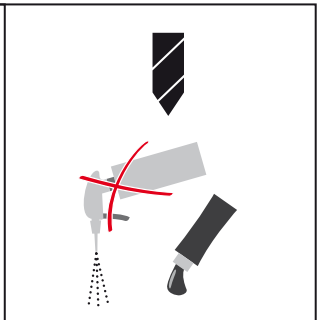
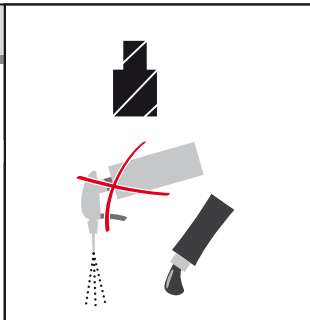
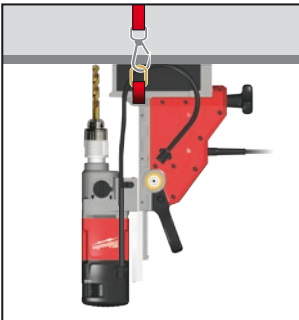
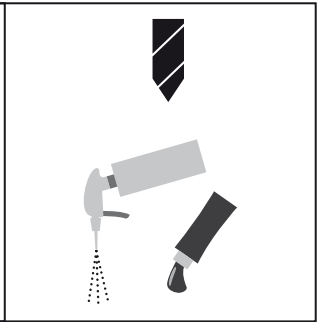
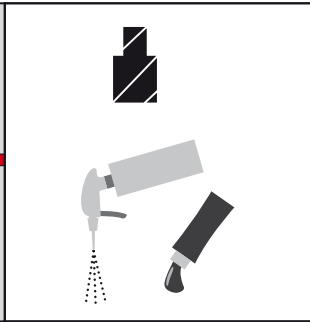
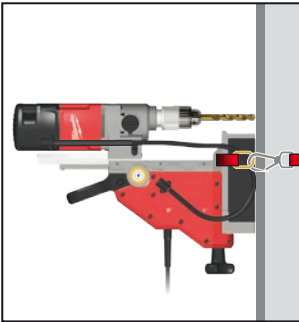
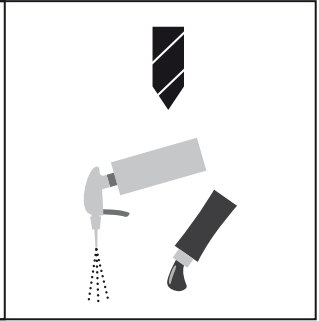
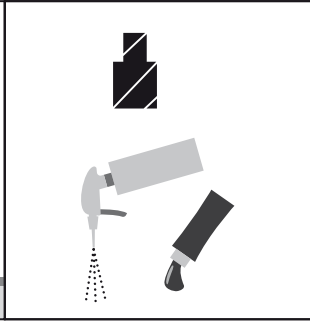
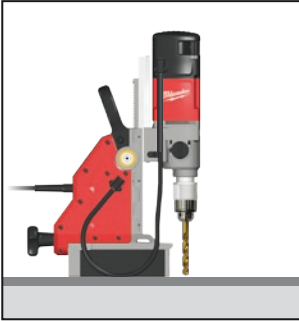


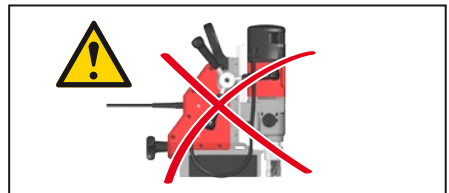
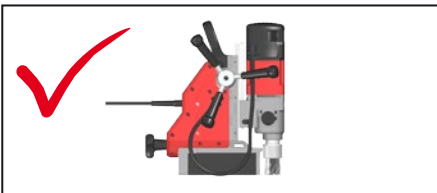
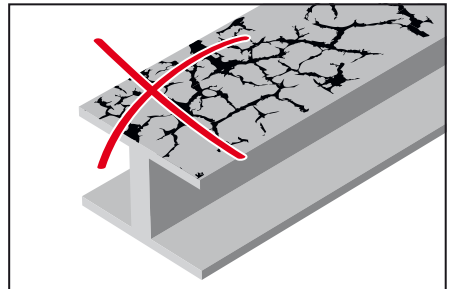
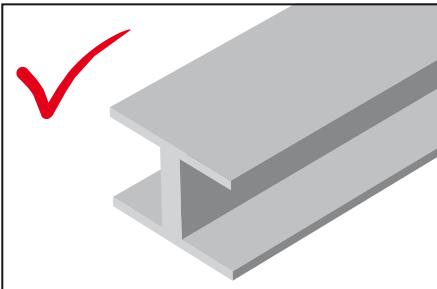
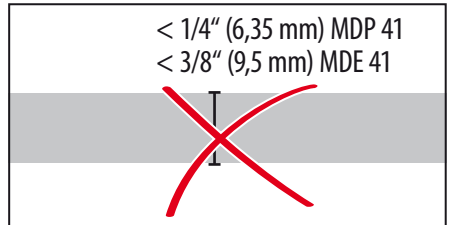
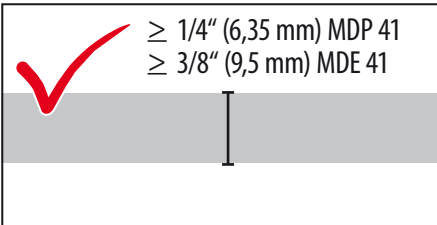
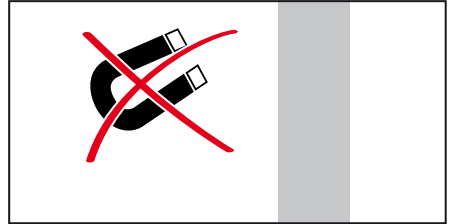
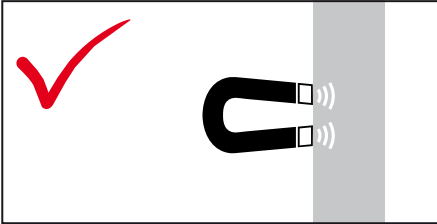
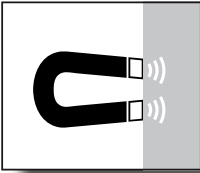


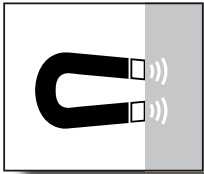




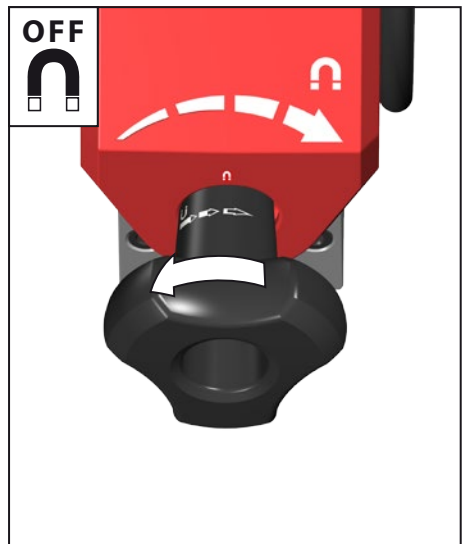
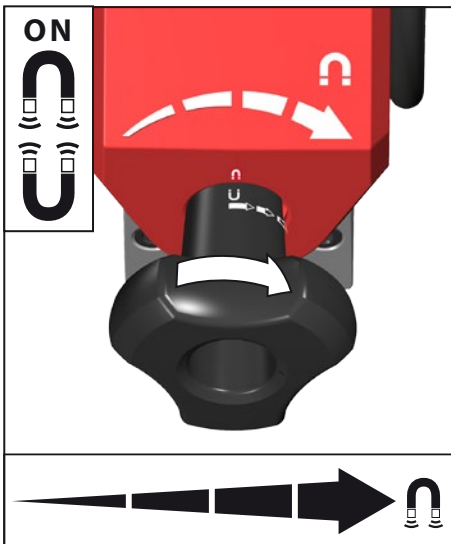
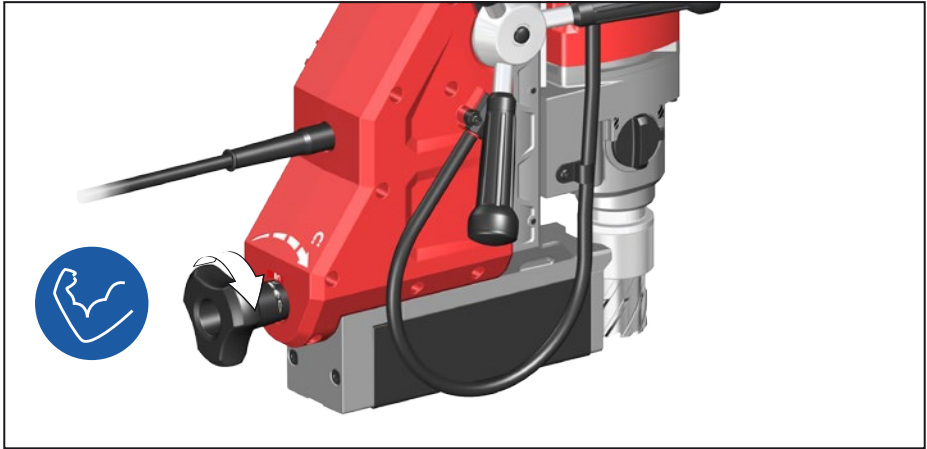


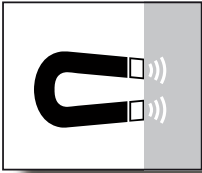




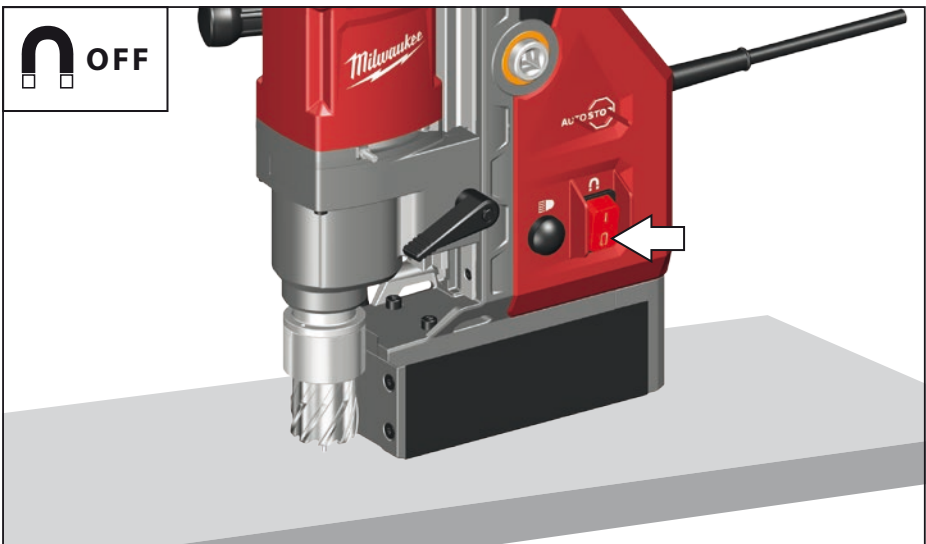
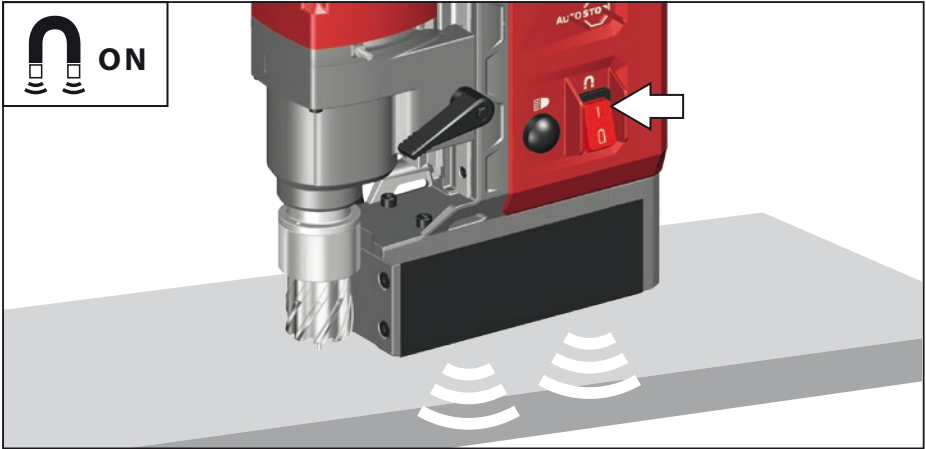


MDP 41



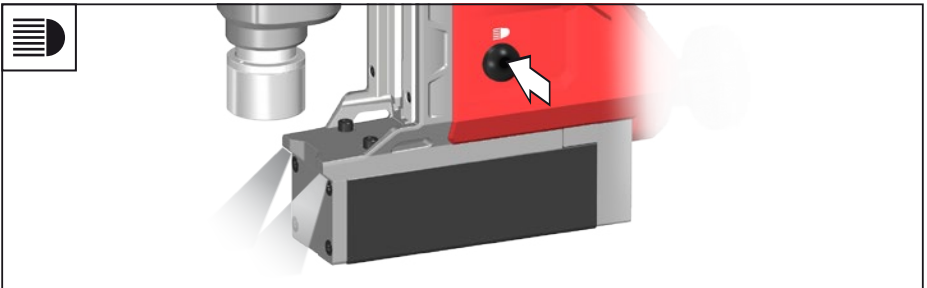
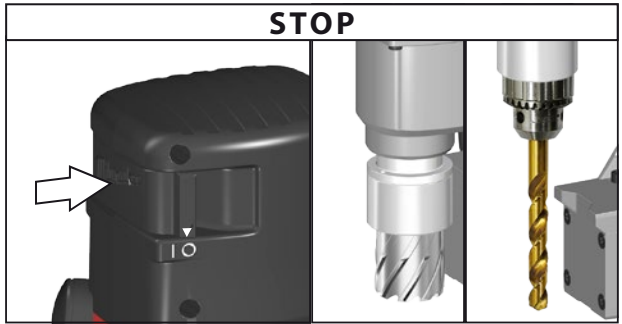
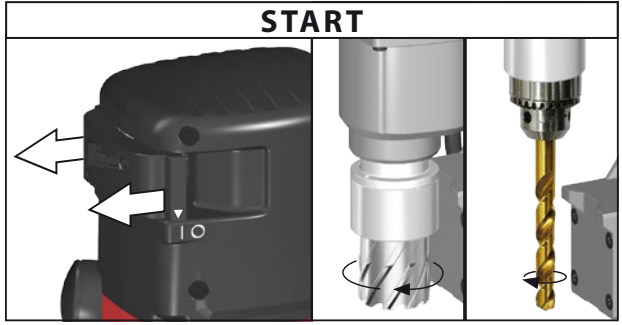
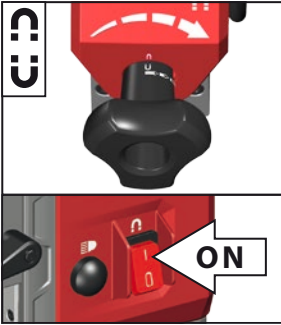


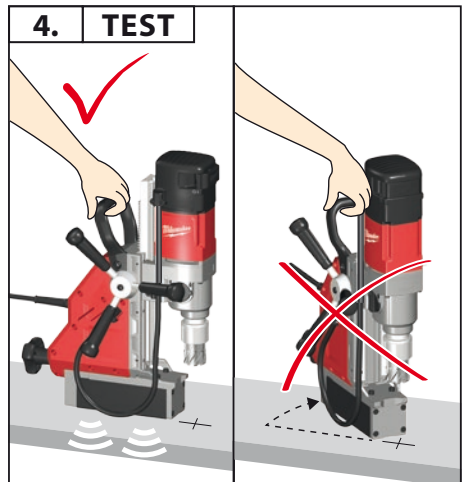
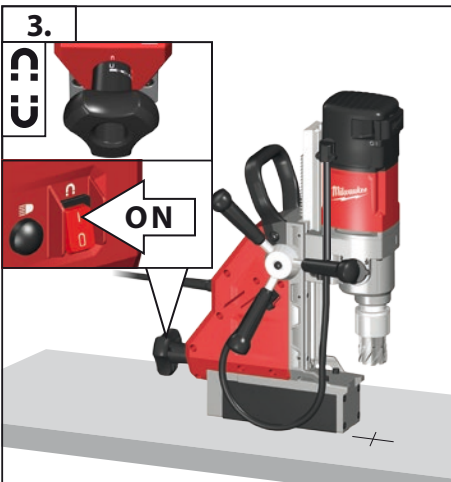
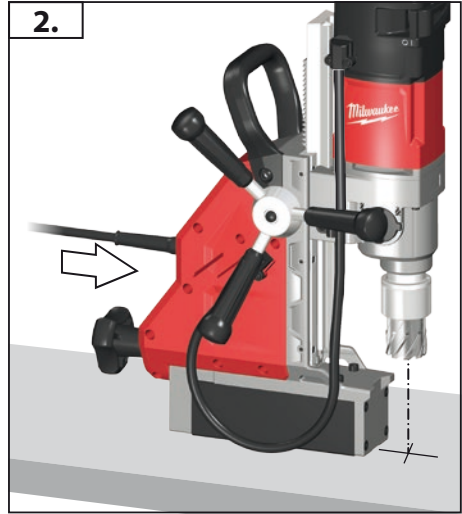
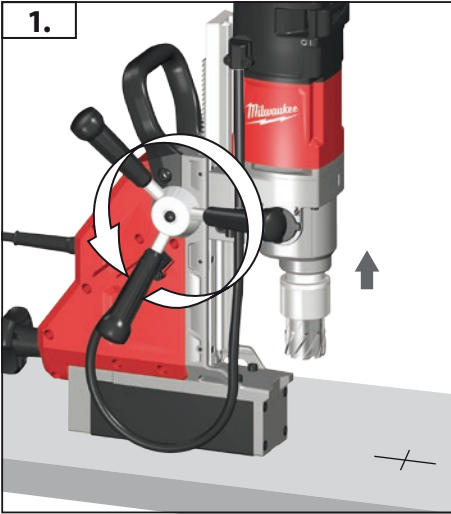
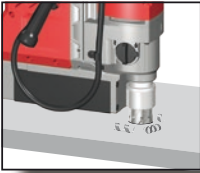
MDE 41

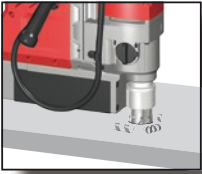




START
STOP
VI





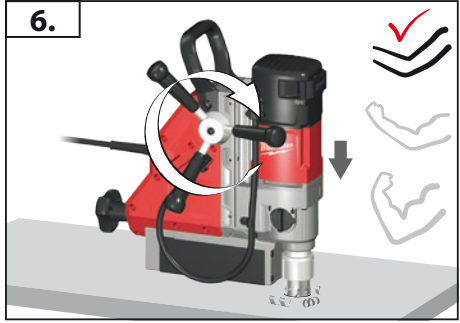


5.

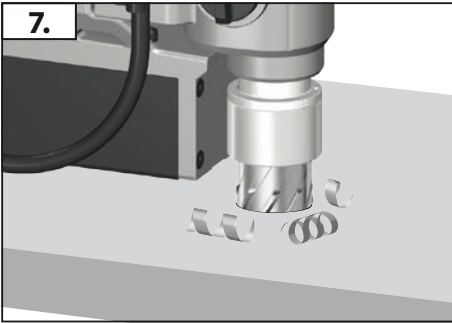
START



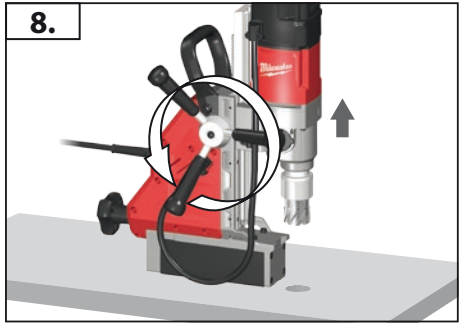
6.



7.



8.

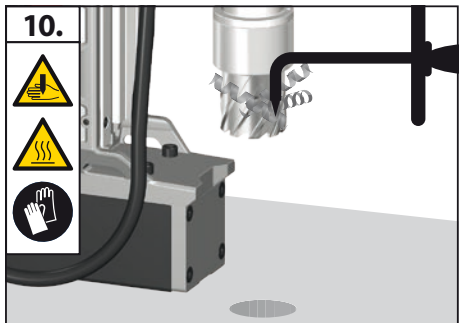


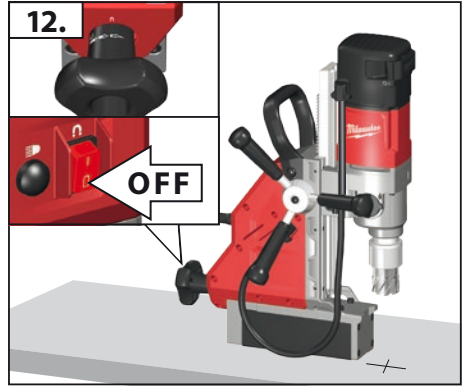
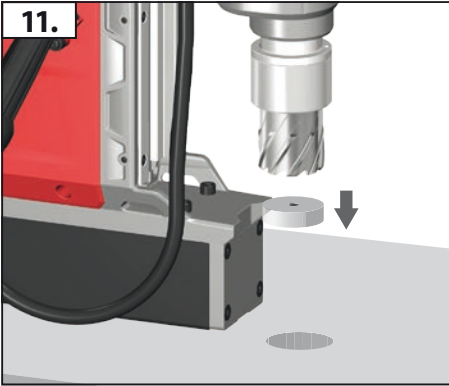
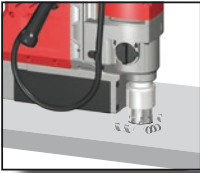
9.

STOP

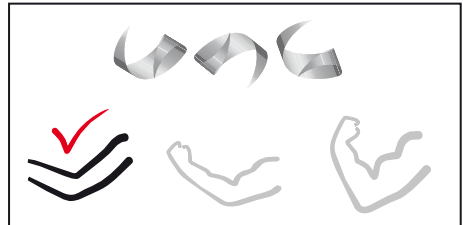
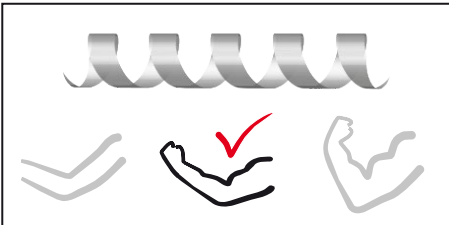
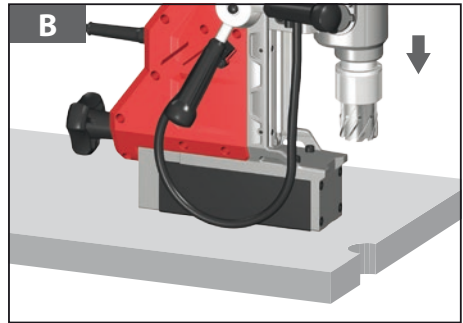
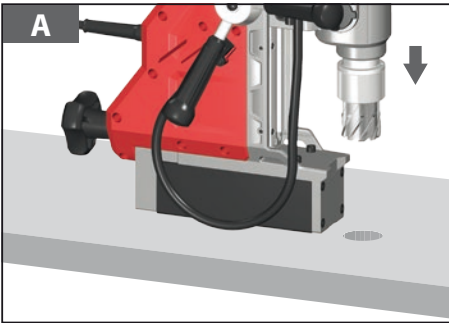


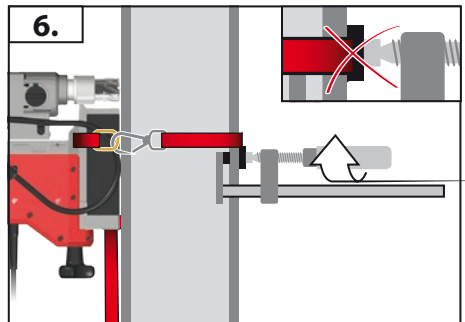
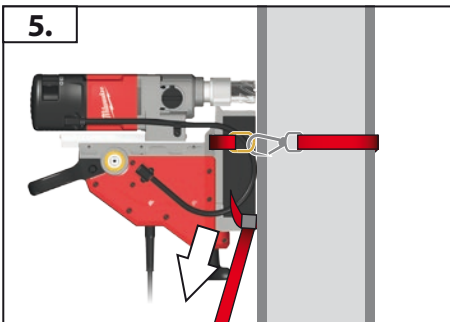
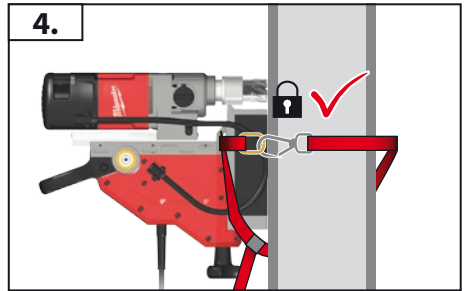
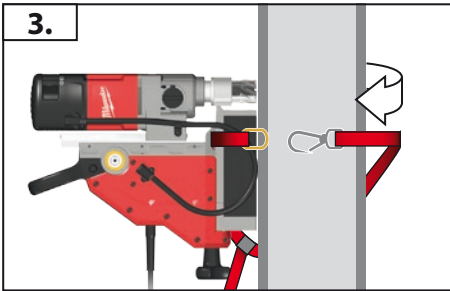
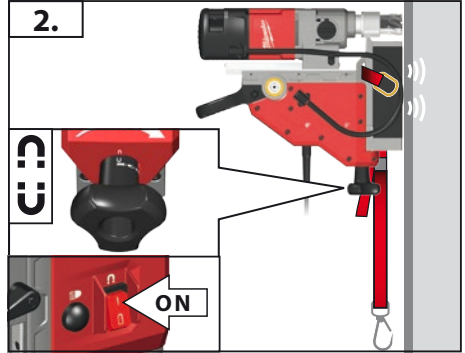
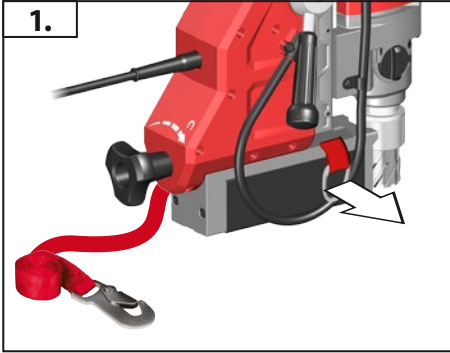
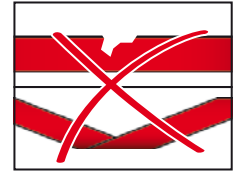
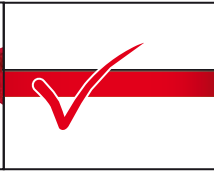
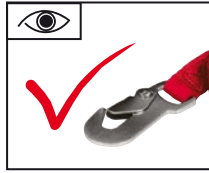
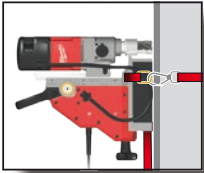
10.

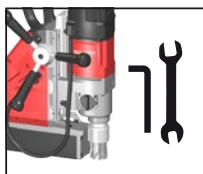




VII



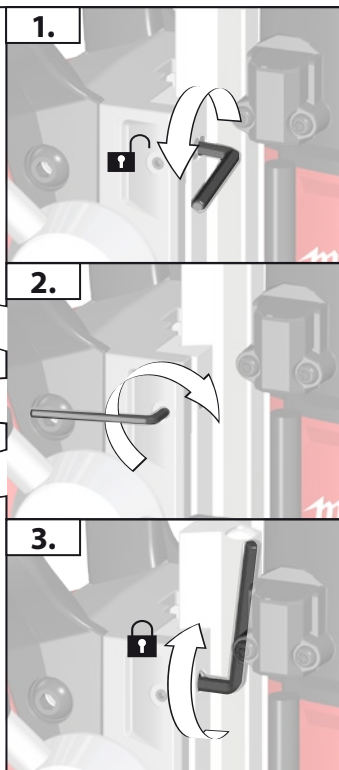
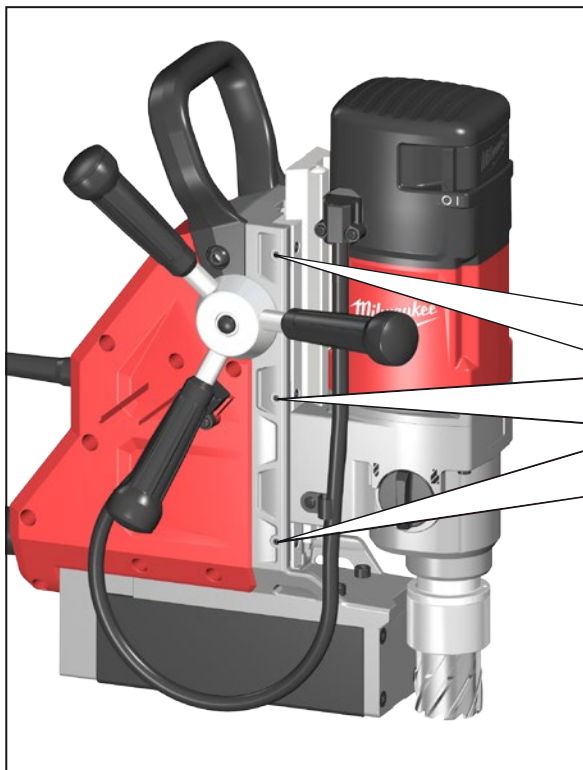


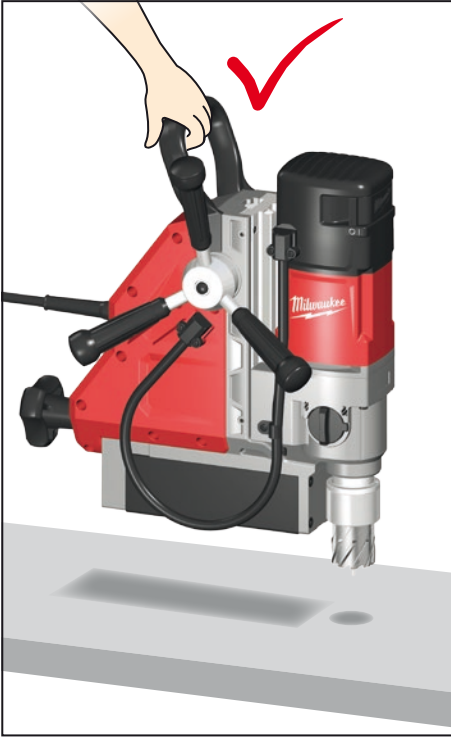


Setting the free motion of the slide
Schlittenspiel einstellen
Réglage du jeu du chariot
Regolazione del libero movimento dello scorrimento
Ajuste del movimiento libre de deslizamiento
Ajuste do movimento livre da calha de posicionamento

Geleideslede instellen
Indstilling af slædeslør
Instilling av sledens spillerom
Justering av spel mellan släde och stativ
Kelkan vapaan liikkuma-alueen asetus
Ρυθμίζετε ανοχή ολισθητήρα
Ayarlanabilir kızak kılavuzu

Nastavení vůle suportu
Ustawić luz sań
A szánjáték beállítás
Настройка свободного хода каретки
Налаштування вільного ходу каретки
ضبط الحركة الحرة للشريحة





TECHNICAL DATA Magnetic core drilling machine	MDE 41	MDP 41
Production code	4523 56 02... 4523 50 02... ... 000001-999999	4523 43 02... ... 000001-999999
Rated input	1200 W	1200 W
No-load speed 1st gear No-load speed 2nd gear	475 min ⁻¹ 730 min ⁻¹	475 min ⁻¹ 730 min ⁻¹
Lengths of stroke	146 mm	146 mm
Max. magnetic power	9,93 kN	8,89 kN
Drill diameter max. with core hole drill bit	41 mm	41 mm
Drill diameter max. with solid drill bit	13 mm	13 mm
Spindle receiver	19 mm Weldon	19 mm Weldon
Weight according EPTA-Procedure 01/2003	13,5 kg	14 kg
Noise information Measured values determined according to EN 61029. Typically, the A-weighted noise levels of the tool are:		
Sound pressure level (Uncertainty K=3dB(A))	95,0 dB(A)	95,0 dB(A)
Sound power level (Uncertainty K=3dB(A))	106,0 dB(A)	106,0 dB(A)
Wear ear protectors!		
Vibration information Vibration total values (triaxial vector sum) determined according to EN 61029		
Vibration emission value a _h Uncertainty K=	2,17 m/s ² 1,5 m/s ²	2,17 m/s ² 1,5 m/s ²



WARNING!

The vibration emission level given in this information sheet has been measured in accordance with a standardised test given in EN 61029 and may be used to compare one tool with another. It may be used for a preliminary assessment of exposure.

The declared vibration emission level represents the main applications of the tool. However if the tool is used for different applications, with different accessories or poorly maintained, the vibration emission may differ. This may significantly increase the exposure level over the total working period.

An estimation of the level of exposure to vibration should also take into account the times when the tool is switched off or when it is running but not actually doing the job. This may significantly reduce the exposure level over the total working period.

Identify additional safety measures to protect the operator from the effects of vibration such as: maintain the tool and the accessories, keep the hands warm, organisation of work patterns.



WARNING!

Read all safety warnings and all instructions. Failure to follow the warnings and instructions may result in electric shock, fire and/or serious injury.

Save all warnings and instructions for future reference.



SAFETY WARNINGS MAGNETIC CORE DRILLING MACHINE

Always use the protective shields on the machine. Use protective equipment. Always wear safety glasses when working with the machine. The use of protective clothing is recommended, such as dust mask, protective gloves, sturdy non-slip footwear, helmet and ear defenders.

Never reach into the danger area of the machine when it is running. Chips and splinters must not be removed while the machine is running.

Do not use a damaged accessory.

Clamp or otherwise secure the workpiece. To reduce the risk of injury, do not hold workpiece by hand.

WARNING! Wet connections are shock hazards.

Do not use cutting fluid in an overhead or any other position that allows cutting fluid to enter motor or switch enclosure.

Do not let any metal parts enter the airing slots - danger of short circuit!

SPECIFIED CONDITIONS OF USE

The drill stand is suited for drilling large holes in steel and other ferrous metals.

WORKING INSTRUCTIONS

MDP 41: The electromagnetic drill press attaches magnetically to 6,35 mm or thicker ferrous stock. Do not use on stock less than 6,35 mm. The magnetic base WILL NOT hold on nonmagnetic grades of stainless steel.

MDE 41: The electromagnetic drill press attaches magnetically to 9,5 mm or thicker ferrous stock. Do not use on stock less than 9,5

mm. The magnetic base WILL NOT hold on nonmagnetic grades of stainless steel.

The substrate under the drill stand has to be clean, firm, smooth, dry, without polish and not have any holes in it.

Do not expose the drill stand to rain and do not use in damp or non-flameproof rooms.

Keep constant pressure throughout the entire operation to prevent chips and burrs from falling under the cutting edges. Cutting debris under the cutter can make cutting difficult or impossible.

WARNING!

Excessive force will break magnet free.

Avoid contact with cutter tips. Periodically inspect the cutter tips for loose or damaged tips.

The use of cutting fluid is recommended for long life of these cutters.

Secure the magnetic drill stand with the provided safety harness when working slanting or vertical surfaces, or overhead such that it won't fall down in case of power loss.

The safety harness must be applied such that the drill stand will move away from the user in case of power loss.

Check safety belt for any damage and wear before every use. Do not use defective safety belts!

The insertion tool may become hot during use.

WARNING! Danger of burns

- when changing tools
- when setting the device down

Do not remove cutter unless slug is removed. Slug may eject unexpectedly.

AUTO-STOP

AUTO-STOP switches the machine off automatically if there is a too high, jerky operating torque on the magnet. Determine and rectify the cause of the automatic stop by referring to the safety information.

Possible causes can be:

- breakage of the material to be used
- excess load of the electric tool as a result of too high a feed rate
- unclean magnetic surface

Switch the machine off and then switch it back on again.

RESTART CUTOUT

If the machine is still switched on it will not restart after a power failure. To restart it the machine must be switched off and then on again.

MOTOR/MAGNET INTERLOCK

The motor/magnet interlock is a feature that prevents power from being applied to the drill motor if the magnet is not energized.

The motor magnet interlock also prevents the magnet from being de-energized while the motor is running.

MAINS CONNECTION

Connect only to a single-phase AC current supply and only to the mains voltage specified on the rating plate. Must only be used from sockets with earth wire.

Pre-connect a residual current device (FI, RCD, PRCD).

Only plug-in when machine is switched off.

Keep mains lead clear from working range of the machine. Always lead the cable away behind you.

MAINTENANCE

Before use check machine, cable, safety harness and plug for any damages or material fatigue. Repairs should only be carried out by authorised Service Agents.

The ventilation slots of the machine must be kept clear at all times.

From time to time, apply a few drops of oil to the rack toothing. The bearings of the feed shaft are self-cutting and must not be greased. Grease the sliding surface of the carriage with Molykote grease.

Clean dust and debris from tool. Keep tool handles clean, dry and free of oil or grease. Use only mild soap and a damp cloth to clean the tool since certain cleaning agents and solvents are harmful to plastics and other insulated parts. Never use flammable or combustible solvents around tools.

Use only Milwaukee accessories and Milwaukee spare parts. Should components need to be replaced which have not been described, please contact one of our Milwaukee service agents (see our list of guarantee/service addresses).

If needed, an exploded view of the tool can be ordered. Please state the Article No. as well as the machine type printed on the label and order the drawing at your local service agents or directly at: Techtronic Industries GmbH, Max-Eyth-Straße 10, 71364 Winnenden, Germany.

EC-DECLARATION OF CONFORMITY

We declare under our sole responsibility that the product described under "Technical Data" fulfills all the relevant provisions of the directives

2011/65/EU (RoHS), 2006/42/EC,
2004/108/EC (until 19 April 2016),
2014/30/EU (from 20 April 2016)
and the following harmonized standards

EN 55014-1:2006+A1:2009+A2:2011
EN 55014-2:1997 + A1:2001 + A2:2008
EN 61000-3-2:2014
EN 61000-3-3:2013
EN 50581:2012
and standards
EN 62841-1:2015
have been used..



Winnenden, 2015-11-25

Alexander Krug / Managing Director
Authorized to compile the technical file
Techtronic Industries GmbH
Max-Eyth-Straße 10, 71364 Winnenden, Germany



SYMBOLS



CAUTION! WARNING! DANGER!



Always disconnect the plug from the socket before carrying out any work on the machine.



Always work in pairs when using the drill stand above head height. Carry the electric tool between the two of you to avoid suffering back injuries.



Please read the instructions carefully before starting the machine.



Always wear goggles when using the machine.



Wear ear protectors!



Wear gloves!



DANGER! To reduce the risk of injury, always keep hands, rags, clothing, etc. away from moving parts and chips. Do not try to remove chips while the cutter is rotating. Chips are sharp and can pull objects into moving parts.



Carrying along metal parts and watches is prohibited.



Persons with cardiac pacemakers or other medicinal implants may not use this drill stand.



Carrying of magnetic or electronic media prohibited.



Never expose tool to rain.



Core hole drill bit



Solid drill bit



Do not dispose of electric tools together with household waste material. Electric tools and electronic equipment that have reached the end of their life must be collected separately and returned to an environmentally compatible recycling facility. Check with your local authority or retailer for recycling advice and collection point.



Class II tool. Tool in which protection against electric shock does not rely on basic insulation only, but in which additional safety precautions, such as double insulation or reinforced insulation, are provided. There being no provision for protective earthing or reliance upon installation conditions.



UkrSEPRO Conformity Mark



EurAsian Conformity Mark



European Conformity Mark

TECHNISCHE DATEN Magnetkernbohrmaschine	MDE 41	MDP 41
Produktionsnummer	4523 56 02... 4523 50 02... ... 000001-999999	4523 43 02... ... 000001-999999
Nennaufnahmeleistung	1200 W	1200 W
Leerlaufdrehzahl 1. Gang Leerlaufdrehzahl 2. Gang	475 min ⁻¹ 730 min ⁻¹	475 min ⁻¹ 730 min ⁻¹
Hubhöhe	146 mm	146 mm
Max Magnetkraft	9,93 kN	8,89 kN
Bohr-Ø max. mit Kernlochbohrer	41 mm	41 mm
Bohr-Ø max. mit Vollbohrer	13 mm	13 mm
Spindelaufnahme	19 mm Weldon	19 mm Weldon
Gewicht nach EPTA-Prozedur 01/2003	13,5 kg	14 kg
Geräuschinformation Messwerte ermittelt entsprechend EN 61029. Der A-bewertete Geräuschpegel des Gerätes beträgt typischerweise:		
Schalldruckpegel (Unsicherheit K=3dB(A)) Schallleistungspegel (Unsicherheit K=3dB(A)) Gehörschutz tragen!	95,0 dB(A) 106,0 dB(A)	95,0 dB(A) 106,0 dB(A)
Vibrationsinformationen Schwingungsgesamtwerte (Vektorsumme dreier Richtungen) ermittelt entsprechend EN 61029.		
Schwingungsemissionswert a _h Unsicherheit K=	2,17 m/s ² 1,5 m/s ²	2,17 m/s ² 1,5 m/s ²



WARNUNG!

Der in diesen Anweisungen angegebene Schwingungspegel ist entsprechend einem in EN 61029 genormten Messverfahren gemessen worden und kann für den Vergleich von Elektrowerkzeugen miteinander verwendet werden. Er eignet sich auch für eine vorläufige Einschätzung der Schwingungsbelastung.

Der angegebene Schwingungspegel repräsentiert die hauptsächlichsten Anwendungen des Elektrowerkzeugs. Wenn allerdings das Elektrowerkzeug für andere Anwendungen, mit abweichenden Einsatzwerkzeugen oder ungenügender Wartung eingesetzt wird, kann der Schwingungspegel abweichen. Dies kann die Schwingungsbelastung über den gesamten Arbeitszeitraum deutlich erhöhen.

Für eine genaue Abschätzung der Schwingungsbelastung sollten auch die Zeiten berücksichtigt werden, in denen das Gerät abgeschaltet ist oder zwar läuft, aber nicht tatsächlich im Einsatz ist. Dies kann die Schwingungsbelastung über den gesamten Arbeitszeitraum deutlich reduzieren.

Legen Sie zusätzliche Sicherheitsmaßnahmen zum Schutz des Bedieners vor der Wirkung von Schwingungen fest wie zum Beispiel: Wartung von Elektrowerkzeug und Einsatzwerkzeugen, Warmhalten der Hände, Organisation der Arbeitsabläufe.

WARNUNG!

Lesen Sie alle Sicherheitshinweise und Anweisungen. Versäumnisse bei der Einhaltung der Sicherheitshinweise und Anweisungen können elektrischen Schlag, Brand und/oder schwere Verletzungen verursachen.
Bewahren Sie alle Sicherheitshinweise und Anweisungen für die Zukunft auf.

SICHERHEITSHINWEISE FÜR MAGNETKERNBOHRMASCHINE

Schutzeinrichtung der Maschine unbedingt verwenden.
Schutzrüstung verwenden. Beim Arbeiten mit der Maschine stets Schutzbrille tragen. Schutzkleidung wie Staubschutzmaske, Schutzhandschuhe, festes und rutschsicheres Schuhwerk, Helm und Gehörschutz werden empfohlen.

Nicht in den Gefahrenbereich der laufenden Maschine greifen.
Späne oder Splitter dürfen bei laufender Maschine nicht entfernt werden.

Verwenden Sie keine beschädigten Einsatzwerkzeuge.

Werkstücke sicher befestigen oder festspannen. Um einer Verletzungsgefahr vorzubeugen, sollte das Arbeitsstück nicht von Hand gehalten werden.

WARNUNG! Bei nassen Verbindungen besteht Elektroschockgefahr. Keine Schneidflüssigkeit in Überkopf- oder sonstigen Positionen verwenden, bei denen die Schneidflüssigkeit in den Motor oder das Schaltergehäuse eindringen könnte.

Wegen Kurzschlussgefahr dürfen Metallteile nicht in die Lüftungsschlitze gelangen.

BESTIMMUNGSGEMÄSSE VERWENDUNG

Der Bohrständer kann zum Bohren großer Bohrungen in Stahl und anderen eisenhaltigen Metallen eingesetzt werden.

ARBEITSHINWEISE

MDP 41: Die elektromagnetische Ständerbohrmaschine haftet magnetisch an 6,35 mm oder dickerem eisenhaltigem Material an. Bitte nicht auf Material anwenden, das eine Dicke von weniger als 6,35 mm aufweist. Der Magnetsockel HÄLT NICHT auf unmagnetischen Edelstahlsorten.

MDE 41: Die elektromagnetische Ständerbohrmaschine haftet magnetisch an 9,5 mm oder dickerem eisenhaltigem Material an. Bitte nicht auf Material anwenden, das eine Dicke von weniger als 9,5 mm aufweist. Der Magnetsockel HÄLT NICHT auf unmagnetischen Edelstahlsorten.

Der Untergrund unter dem Bohrständler muss sauber, fest, glatt, trocken und frei von Löchern und Lack sein.

Den Bohrständler nicht dem Regen aussetzen und nicht in nassen, feuchten oder explosionsgefährdeten Räumen verwenden.

Während des gesamten Vorgangs gleich bleibenden Druck ausüben, damit keine Späne oder Bohrgrate unter die Fräskanten fallen. Durch Fräsabfälle, die unter den Fräser geraten, können die Fräsarbeiten u.U. schwierig oder überhaupt nicht durchgeführt werden.

WARNUNG!

Bei übermäßiger Kraftereinwirkung löst sich der Magnet.

Kontakt mit den Spitzen des Fräsers vermeiden. Die Spitze des Fräsers von Zeit zu Zeit auf lose oder beschädigte Spitzen untersuchen. Zur Gewährleistung einer langen Betriebsdauer dieser Fräser wird die Verwendung von Schneidflüssigkeit empfohlen.

Bei Arbeiten an schrägen und senkrechten Flächen und über Kopf muss der Magnetbohrständler mit dem mitgelieferten Gurt gesichert werden.

Der Sicherheitsgurt muss so angebracht werden, dass sich der Bohrständler bei Magnetausfall vom Bediener weg bewegt.

Sicherheitsgurt vor jeder Benutzung auf Beschädigung und Alterung kontrollieren. Defekten Sicherheitsgurt nicht benutzen!

Das Einsatzwerkzeug kann während der Anwendung heiß werden. **WARNUNG!** Verbrennungsgefahr

- bei Werkzeugwechsel
- bei Ablegen des Gerätes

Den Fräser erst dann entfernen, wenn der Rohling herausgenommen wurde. Der Rohling kann unerwartet ausgeworfen werden.

AUTO-STOP

Mit dem AUTO STOP wird bei einer überhöhen ruckartigen Drehkraft auf den Magnet die Maschine automatisch abgeschaltet. Ermitteln und beheben Sie die Ursache des automatischen Stopps unter Berücksichtigung der Sicherheitshinweise.

Mögliche Ursache dafür können sein:

- Durchbrechen des zu bearbeitenden Materials
- Überlastung des Elektrowerkzeuges durch zu hohen Vorschub
- Unsaubere Magnetfläche

Maschine ausschalten und wieder einschalten

WIEDERANLAUFSCHUTZ

Eingeschaltete Maschine läuft nach Spannungsausfall nicht wieder an. Um weiter zu arbeiten, Maschine aus- und wieder einschalten.

MOTOR/MAGNET-SICHERHEITSSPERRE

Die Motor/Magnet-Sperre ist ein Sicherheitsmerkmal, das verhindert, dass der Bohrerotor mit Strom versorgt wird, wenn der Magnet nicht angesteuert ist. Diese Sperre sorgt auch dafür, dass der Magnet nicht abgeschaltet wird, während der Motor läuft.

NETZANSCHLUSS

Nur an Einphasen-Wechselstrom und nur an die auf dem Leistungsschild angegebene Netzspannung anschließen. Nur an Steckdosen mit Schutzkontakt anschließen.

Schalten Sie einen Fehlerstrom-Schutzschalter (FI, RCD, PRCD) vor.

Maschine nur ausgeschaltet an die Steckdose anschließen.

Anschlusskabel stets vom Wirkungsbereich der Maschine fernhalten. Kabel immer nach hinten von der Maschine wegführen.

WARTUNG

Vor jedem Gebrauch Gerät, Anschlusskabel, Verlängerungskabel, Sicherheitsgurt und Stecker auf Beschädigung und Alterung kontrollieren. Beschädigte Teile nur von einem Fachmann reparieren lassen.

Stets die Lüftungsschlitze der Maschine sauber halten.

Auf die Verzahnung der Zahnstange von Zeit zu Zeit einige Tropfen Öl geben. Die Lager der Vorschubwelle sind selbstschmierend und dürfen nicht geölt werden. Die Gleitfläche des Schlittens mit Molykote-Fett schmieren.

Staub und Schmutz vom Gerät stets entfernen. Den Handgriff sauber, trocken und frei von Öl oder Fett halten. Reinigungs- und Lösungsmittel sind schädlich für Kunststoffe und andere isolierende Teile, deshalb nur mit einer milden Seife und einem feuchten Tuch das Gerät reinigen. Verwenden Sie niemals brennbare Lösungsmittel in der Nähe des Gerätes.

Nur Milwaukee Zubehör und Milwaukee Ersatzteile verwenden. Bauteile, deren Austausch nicht beschrieben wurde, bei einer Milwaukee Kundendienststelle auswechseln lassen (Broschüre Garantie/Kundendienstadressen beachten).

Bei Bedarf kann eine Explosionszeichnung des Gerätes unter Angabe der Maschinen Type und der sechsstelligen Nummer auf dem Leistungsschild bei Ihrer Kundendienststelle oder direkt bei Techtronic Industries GmbH, Max-Eyth-Straße 10, 71364 Winnenden, Germany angefordert werden.

CE-KONFORMITÄTSERKLÄRUNG

Wir erklären in alleiniger Verantwortung, dass das unter „Technische Daten“ beschriebene Produkt mit allen relevanten Vorschriften der Richtlinien

2011/65/EU (RoHS), 2006/42/EG, 2004/108/EG (bis 19 April 2016), 2014/30/EU (ab 20 April 2016) und den folgenden harmonisierten normativen Dokumenten

EN 55014-1:2006+A1:2009+A2:2011
EN 55014-2:1997+A1:2001+A2:2008
EN 61000-3-2:2014
EN 61000-3-3:2013
EN 50581:2012
und normativen Dokumenten
EN 62841-1:2015
übereinstimmt.



D



Winnenden, 2015-11-25

Alexander Krug

Alexander Krug / Managing Director
Bevollmächtigt die technischen Unterlagen zusammenzustellen.
Techtronic Industries GmbH
Max-Eyth-Straße 10, 71364 Winnenden, Germany

SYMBOLE



ACHTUNG! WARNUNG! GEFAHR!



Vor allen Arbeiten an der Maschine den Stecker aus der Steckdose ziehen.



Arbeiten Sie bei Über-Kopf-Einsatz des Bohrständers immer zu zweit. Tragen Sie das Elektrowerkzeug immer zu zweit, um Rückenverletzungen zu vermeiden.



Bitte lesen Sie die Gebrauchsanweisung vor Inbetriebnahme sorgfältig durch.



Beim Arbeiten mit der Maschine stets Schutzbrille tragen.



Gehörschutz tragen!



Schutzhandschuhe tragen!



GEFAHR! Um Verletzungsgefahren vorzubeugen, Hände, Lappen, Kleidung, usw. in sicherem Abstand von den beweglichen Teilen und Spänen halten. Die Späne auf keinen Fall entfernen, während sich der Fräser noch dreht. Späne haben scharfe Kanten und können Gegenstände in die beweglichen Teile ziehen.



Das Mitführen von Metallteilen und Uhren ist verboten.



Personen mit Herzschrittmacher oder anderen medizinischen Implantaten dürfen diesen Bohrständler nicht verwenden.



Mitführen von magnetischen oder elektronischen Datenträgern verboten.



Die Maschine nicht dem Regen aussetzen.



Kernlochbohrer



Vollbohrer



Elektrogeräte dürfen nicht zusammen mit dem Hausmüll entsorgt werden. Elektrische und elektronische Geräte sind getrennt zu sammeln und zur umweltgerechten Entsorgung bei einem Verwertungsbetrieb abzugeben. Erkundigen Sie sich bei den örtlichen Behörden oder bei Ihrem Fachhändler nach Recyclinghöfen und Sammelstellen.



Elektrowerkzeug der Schutzklasse II. Elektrowerkzeug, bei dem der Schutz vor einem elektrischen Schlag nicht nur von der Basisisolierung abhängt, sondern auch davon, dass zusätzliche Schutzmaßnahmen, wie doppelte Isolierung oder verstärkte Isolierung, angewendet werden. Es gibt keine Vorrichtung zum Anschluss eines Schutzleiters.



CE-Konformitätszeichen



UKSEPRO Konformitätszeichen

TR 066



EurAsian Konformitätszeichen



CARACTÉRISTIQUES TECHNIQUES Noyau magnétique machine de forage	MDE 41	MDP 41
Numéro de série	4523 56 02... 4523 50 02... ... 000001-999999	4523 43 02... ... 000001-999999
Puissance nominale de réception	1200 W	1200 W
Vitesse de rotation à vide 1ère vitesse Vitesse de rotation à vide 2ème vitesse	475 min ⁻¹ 730 min ⁻¹	475 min ⁻¹ 730 min ⁻¹
Hauteur de la course	146 mm	146 mm
Force magnétique max.	9,93 kN	8,89 kN
ø max. de l'alésage avec foret carotteur	41 mm	41 mm
ø max. de l'alésage avec foret hélicoïdal	13 mm	13 mm
Porte-broche	19 mm Weldon	19 mm Weldon
Poids suivant EPTA-Procédure 01/2003	13,5 kg	14 kg
Informations sur le bruit Valeurs de mesure obtenues conformément à la EN 61029. Les mesures réelles (des niveaux acoustiques de l'appareil sont :		
Niveau de pression acoustique (Incertitude K=3dB(A))	95,0 dB(A)	95,0 dB(A)
Niveau d'intensité acoustique (Incertitude K=3dB(A))	106,0 dB(A)	106,0 dB(A)
Toujours porter une protection acoustique!		
Informations sur les vibrations Valeurs totales des vibrations (somme vectorielle de trois sens) établies conformément à EN 61029.		
Valeur d'émission vibratoire a _h	2,17 m/s ²	2,17 m/s ²
Incertitude K=	1,5 m/s ²	1,5 m/s ²

AVERTISSEMENT!

Le niveau vibratoire indiqué dans ces instructions a été mesuré selon un procédé de mesure normalisé dans la norme EN 61029 et peut être utilisé pour comparer des outils électriques entre eux. Il convient aussi à une estimation provisoire de la sollicitation par les vibrations.

Le niveau vibratoire indiqué représente les applications principales de l'outil électrique. Toutefois, si l'outil électrique est utilisé pour d'autres applications, avec des outils rapportés qui diffèrent ou une maintenance insuffisante, il se peut que le niveau vibratoire diverge. Cela peut augmenter nettement la sollicitation par les vibrations sur tout l'intervalle de temps du travail.

Pour une estimation précise de la sollicitation par les vibrations, on devrait également tenir compte des temps pendant lesquels l'appareil n'est pas en marche ou tourne sans être réellement en service. Cela peut réduire nettement la sollicitation par les vibrations sur tout l'intervalle de temps du travail.

Définissez des mesures de sécurité supplémentaires pour protéger l'utilisateur contre l'influence des vibrations, comme par exemple : la maintenance de l'outil électrique et des outils rapportés, le maintien au chaud des mains, l'organisation des déroulements de travail.

AVERTISSEMENT!

Lisez toutes les consignes de sécurité et les instructions. Le non-respect des avertissements et instructions indiqués ci après peut entraîner un choc électrique, un incendie et/ou de graves blessures sur les personnes.

Bien garder tous les avertissements et instructions.

INSTRUCTIONS DE SÉCURITÉ PARTICULIÈRES NOYAU MAGNÉTIQUE MACHINE DE FORAGE

Il est absolument impératif d'utiliser le dispositif protecteur de la machine. Utiliser l'équipement de protection. Toujours porter des lunettes de protection pendant le travail avec la machine. Il est recommandé de porter des articles de protection, tels que masque antipoussière, gants de protection, chaussures tenant bien aux pieds et antidérapantes, casque et protection acoustique.

Ne jamais intervenir dans la zone dangereuse lorsque la machine est en marche.

Ne jamais enlever les copeaux ni les éclats lorsque la machine est en marche.

Ne pas utiliser d'accessoire endommagé.

Toujours bien fixer ou serrer les pièces à travailler. Pour réduire les risques de blessures, ne pas tenir la pièce avec les mains.

AVERTISSEMENT! Les connexions mouillées présentent des risques de choc électrique.

Ne pas utiliser de liquide de coupe dans une position verticale ou dans toute position qui lui permettrait d'entrer dans le moteur ou dans les ouvertures du commutateur.

En raison de risques de court-circuit, veiller à ce qu'aucune pièce métallique ne pénètre dans les ouïes de ventilation.

UTILISATION CONFORME AUX PRESCRIPTIONS

Le support de perçage peut être utilisé pour effectuer des alésages à diamètre important dans l'acier ou d'autres métaux ferreux.



Fr

CONSIGNES DE TRAVAIL

MDP 41: La perceuse électromagnétique se fixe magnétiquement sur des pièces de métal ferreux de 6,35 mm ou plus épaisses. N'utilisez pas de pièces métalliques d'une épaisseur inférieure à 6,35 mm. La base magnétique NE TIENDRA PAS sur des types d'acier inoxydable non magnétique.

MDE 41: La perceuse électromagnétique se fixe magnétiquement sur des pièces de métal ferreux de 9,5 mm ou plus épaisses. N'utilisez pas de pièces métalliques d'une épaisseur inférieure à 9,5 mm. La base magnétique NE TIENDRA PAS sur des types d'acier inoxydable non magnétique.

La planche d'appui du support de forage magnétique doit être propre, solide, lisse, sec et sans trous et vernis.

Ne pas exposer le support de perçage à la pluie et ne pas l'utiliser dans un espace humide ou mouillé ni s'il y a risque d'explosion.

Maintenez une pression constante pendant toute la coupe afin d'éviter que les copeaux et les bavures ne tombent des rebords de coupe. Les débris de coupe sous la fraise peuvent rendre difficile ou même empêcher le fraisage.

AVERTISSEMENT!

L'application d'une force excessive provoquera la relâche des aimants.

Évitez un contact avec les embouts de la fraise. Inspectez régulièrement les embouts de la fraise pour vous assurer qu'ils ne sont pas desserrés ou endommagés.

Il est recommandé d'utiliser le fluide de coupe pour prolonger la vie de ces fraises.

Lors de travaux sur des surfaces inclinées et verticales ou au plafond, le support de forage magnétique doit être fixé avec la ceinture fournie.

La ceinture de sécurité doit être fixée d'une façon telle que le support de la perceuse se déplace en direction opposée à celle de l'utilisateur au cas de non fonctionnement de l'aimant.

Contrôler avant chaque utilisation que la ceinture de sécurité ne soit pas endommagée et qu'elle ne montre pas des signes d'usure. Ne pas utiliser des ceintures de sécurité défectueuses !

Durant l'utilisation, l'outil peut se surchauffer.

AVERTISSEMENT! Danger de brûlures

- durant le remplacement de l'outil
- durant la dépose de l'outil

Ne retirez pas la fraise sans retirer sa *** débouchure. La débouchure pourrait être éjectée à l'improviste. Ne retirez pas la fraise sans retirer sa *** débouchure. La débouchure pourrait être éjectée à l'improviste.

AUTO STOP

La fonction AUTO STOP désactive automatiquement l'appareil en cas de force de rotation soudaine et excessive sur l'aimant de l'appareil. Établir et éliminer la cause du blocage automatique en prêtant attention aux consignes de sécurité.

Les causes possibles sont :

- Le dispositif a traversé le matériau à travailler en le cassant.
- Surcharge de l'outil électrique à cause de poussée excessive.
- Surface de l'aimant non propre.

Désactiver et activer de nouveau l'appareil.

DISPOSITIF DE PROTECTION CONTRE UN REDÉMARRAGE

En cas d'interruption de tension avec la machine en fonction, la machine ne démarrera pas automatiquement lorsque la tension sera rétablie. Pour continuer à travailler, désactiver l'appareil et l'activer de nouveau.

SERRURE MOTEUR/AIMANT

Le dispositif de verrouillage du moteur/aimant empêche l'arrivée d'une alimentation de courant vers le moteur si l'aimant n'est pas sous tension. Le dispositif de verrouillage du moteur/aimant permet également d'empêcher la mise hors tension de l'aimant pendant que le moteur tourne.

BRANCHEMENT SECTEUR

Ne brancher que sur du courant alternatif monophasé et en respectant la tension indiquée sur la plaque signalétique. Ne raccorder qu'à des prises avec mise à la terre.

Brancher en amont un interrupteur de sécurité contre les courants de défaut (FI, RCD, PRCD).

Ne raccorder la machine au réseau que si l'interrupteur est en position arrêté.

Le câble d'alimentation doit toujours se trouver en dehors du champ d'action de la machine. Toujours maintenir le câble d'alimentation à l'arrière de la machine.

ENTRETIEN

Avant de chaque utilisation contrôler l'appareil, le câble de connexion, le prolongateur, la ceinture de sécurité et la prise pour vérifier la présence d'endommagements ou de signes d'usure. Les pièces endommagées devront être réparées uniquement par un technicien spécialisé.

Tenir toujours propres les orifices de ventilation de la machine.

De temps en temps, mettre quelques gouttes d'huile sur la denture de la crémaillère. Les roulements de l'arbre d'avance sont graissés à vie et ne doivent pas être huilés. Graisser les surfaces de glissement du chariot avec de la graisse Molykote.

Toujours supprimer la poussière et les saletés de l'appareil. Veiller à ce que la poignée reste propre, sèche ainsi qu'exempte d'huile ou de graisse. Les produits de nettoyage et les solvants sont nocifs pour les matières plastiques et d'autres composants isolants et c'est pourquoi il convient de nettoyer l'appareil seulement avec un savon doux et un chiffon humide. Ne jamais utiliser de solvants combustibles à proximité de l'appareil.

Utiliser uniquement les accessoires Milwaukee et les pièces détachées Milwaukee. Faire remplacer les composants dont le remplacement n'a pas été décrit, par un des centres de service après-vente Milwaukee (observer la brochure avec les adresses de garantie et de service après-vente).

Si besoin est, une vue éclatée de l'appareil peut être fournie. S'adresser, en indiquant bien le numéro porté sur la plaque signalétique, à votre station de service après-vente (voir liste jointe) ou directement à Techtronic Industries GmbH, Max-Eyth-Straße 10, 71364 Winnenden, Germany.



DÉCLARATION CE DE CONFORMITÉ

Nous déclarons, sous notre responsabilité exclusive, que le produit décrit ici dans les « Caractéristiques techniques » satisfait à toutes les dispositions pertinentes des directives

2011/65/EU (RoHS), 2006/42/CE,
2004/108/CE (jusqu'au 19 Avril 2016),
2014/30/EU (à partir du 20 Avril 2016)
et que les normes harmonisées

EN 55014-1:2006+A1:2009+A2:2011
EN 55014-2:1997 + A1:2001 + A2:2008
EN 61000-3-2:2014
EN 61000-3-3:2013
EN 50581:2012
et les normes
EN 62841-1:2015
suivantes ont été appliquées..



Winnenden, 2015-11-25

Alexander Krug / Managing Director
Autorisé à compiler la documentation technique.
Techtronic Industries GmbH
Max-Eyth-Straße 10, 71364 Winnenden, Germany

SYMBOLES



ATTENTION! AVERTISSEMENT! DANGER!



Avant tous travaux sur la machine extraire la fiche de la prise de courant.



Lorsque le support de la perceuse est utilisé tourné vers le haut, travailler toujours avec deux opérateurs. Le dispositif électrique est à transporter toujours par deux personnes en vue d'éviter des dommages au dos.



Veuillez lire avec soin le mode d'emploi avant la mise en service



Toujours porter des lunettes protectrices en travaillant avec la machine.



Toujours porter une protection acoustique!



Porter des gants de protection!



DANGER! Pour réduire les risques de blessure, gardez les mains, les chiffons, les vêtements etc., loin des pièces mobiles et des copeaux. N'essayez pas d'enlever les copeaux pendant que la perceuse tourne. Les copeaux sont tranchants et peuvent attirer les objets dans les pièces mobiles.



Il est interdit de porter des objets métalliques sur soi et des montres.



Les personnes portant des stimulateurs cardiaques ou d'autres implants médicaux ne doivent pas utiliser ce support de perçage.



Transport de supports magnétiques ou électroniques interdite.



Ne pas exposer la machine à la pluie.



Foret hélicoïdal



Foret à plaquettes



Les dispositifs électriques ne sont pas à éliminer dans les déchets ménagers. Les dispositifs électriques et électroniques sont à collecter séparément et à remettre à un centre de recyclage en vue de leur élimination dans le respect de l'environnement. S'adresser aux autorités locales ou au détaillant spécialisé en vue de connaître l'emplacement des centres de recyclage et des points de collecte.



Outil électrique en classe de protection II. Outil électrique équipé d'une protection contre la fulguration électrique qui ne dépend seulement de l'isolation de base mais aussi de l'application d'autres mesures de protection telles qu'une double isolation ou une isolation augmentée. La connexion d'un conducteur de protection n'est pas prédisposée.



Marque CE



Marque de qualité UkrSEPRO

TR 066



Marque de qualité EurAsian



DATI TECNICI Macchina di perforazione nucleo magnetico	MDE 41	MDP 41
Numero di serie	4523 56 02... 4523 50 02... ... 000001-999999	4523 43 02... ... 000001-999999
Potenza assorbita nominale	1200 W	1200 W
Numero di giri a vuoto 1. velocità Numero di giri a vuoto 2. velocità	475 min ⁻¹ 730 min ⁻¹	475 min ⁻¹ 730 min ⁻¹
Altezza corsa	146 mm	146 mm
Potenza max. del magnete	9,93 kN	8,89 kN
Diametro con punte a corona	41 mm	41 mm
Diametro con punte normali	13 mm	13 mm
Attacco albero	19 mm Weldon	19 mm Weldon
Peso secondo la procedura EPTA 01/2003	13,5 kg	14 kg
Informazioni sulla rumorosità Valori misurati conformemente alla norma EN 61029. La misurazione A del livello di pressione acustica dell'utensile è di solito di:		
Livello di rumorosità (Incertezza della misura K=3dB(A))	95,0 dB(A)	95,0 dB(A)
Potenza della rumorosità (Incertezza della misura K=3dB(A))	106,0 dB(A)	106,0 dB(A)
Utilizzare le protezioni per l'udito!		
Informazioni sulle vibrazioni Valori totali delle oscillazioni (somma di vettori in tre direzionmisurati conformemente alla norma EN 61029		
Valore di emissione dell'oscillazione a _h	2,17 m/s ²	2,17 m/s ²
Incertezza della misura K=	1,5 m/s ²	1,5 m/s ²

AVVERTENZA!

Il livello di vibrazioni indicato nelle presenti istruzioni è stato misurato in conformità con un procedimento di misurazione codificato nella EN 61029 e può essere utilizzato per un confronto tra attrezzi elettrici. Inoltre si può anche utilizzare per una valutazione preliminare della sollecitazione da vibrazioni.

Il livello di vibrazioni indicato rappresenta le applicazioni principali dell'attrezzo elettrico. Se viceversa si utilizza l'attrezzo elettrico per altri scopi, con accessori differenti o con una manutenzione insufficiente, il livello di vibrazioni può risultare diverso. E questo può aumentare decisamente la sollecitazione da vibrazioni lungo l'intero periodo di lavorazione.

Ai fini di una valutazione precisa della sollecitazione da vibrazioni si dovrebbero tenere presente anche i periodi in cui l'apparecchio rimane spento oppure, anche se acceso, non viene effettivamente utilizzato. Ciò può ridurre notevolmente la sollecitazione da vibrazioni lungo l'intero periodo di lavorazione.

Stabilite misure di sicurezza supplementari per la tutela dell'operatore dall'effetto delle vibrazioni, come ad esempio: manutenzione dell'attrezzo elettrico e degli accessori, riscaldamento delle mani, organizzazione dei processi di lavoro.

AVVERTENZA!

E' necessario leggere tutte le indicazioni di sicurezza e le istruzioni. In caso di mancato rispetto delle avvertenze di pericolo e delle istruzioni operative si potrà creare il pericolo di scosse elettriche, incendi e/o incidenti gravi.

Conservare tutte le avvertenze di pericolo e le istruzioni operative per ogni esigenza futura.

NORME DI SICUREZZA MACCHINA DI PERFORAZIONE NUCLEO MAGNETICO

Usare sempre il dispositivo di protezione dell'apparecchio. Usare dispositivi di protezione. Durante il lavoro con la macchina bisogna sempre portare occhiali di protezione. Si consiglia di indossare indumenti di protezione come maschera antipolvere, guanti di protezione, scarpe antiscivolo robuste, casco e cuffie di protezione acustica.

Non entrare nel raggio d'azione dell'utensile mentre è in funzione.

Non rimuovere trucioli o schegge mentre l'utensile è in funzione.

Non utilizzare mai portautensili od accessori danneggiati.

Fissare bene i pezzi su cui si lavora. Per ridurre il rischio di lesioni, non tenere il pezzo da lavorare con la mano.

AVVERTENZA! Connessioni elettriche bagnate causano folgorazione.

Non usare fluido di taglio per operazioni aeree o per altre posizioni che potrebbero provocare l'infiltrazione del fluido stesso nel motore o nella custodia degli interruttori.

Non lasciare che nessuna parte metallica venga a contatto con l'apertura dell'areazione - pericolo di corto circuito

UTILIZZO CONFORME

Il supporto è adatto per grandi fori in acciaio o in altri metalli ferruginosi.

ISTRUZIONI DI LAVORO

MDP 41: La pressa con trapano elettromagnetico si attacca magneticamente al sovrametallo ferroso di 6,35 mm o più spesso. Non usarla su sovrametallo inferiore a 6,35 mm. La base magnetica NON tiene su pezzi in acciaio inossidabile di livelli non magnetici.

MDE 41: La pressa con trapano elettromagnetico si attacca magneticamente al sovrametallo ferroso di 9,5 mm o più spesso. Non usarla su sovrametallo inferiore a 9,5 mm. La base magnetica NON tiene su pezzi in acciaio inossidabile di livelli non magnetici.

Il piano di appoggio del supporto per trapano deve essere pulito, solido, liscio, asciutto ed esente da buchi e vernici.

Non esporre il supporto alla pioggia e non usare in ambienti umidi o infiammabili

Applicare pressione costante durante l'intera operazione, onde evitare che scaglie e sbavature cadano sotto i bordi di taglio. I depositi che si accumulano sotto il coltello possono rendere compromettere le operazioni di taglio.

AVVERTENZA!

Una forza eccessiva sgancia il magnete.

Evitare il contatto con le punte dei coltelli. Ispezionare periodicamente le punte dei coltelli per accertarsi che non siano allentate o danneggiate.

Si consiglia l'uso del fluido di taglio per garantire una maggiore durata dei coltelli.

Lavorando su superfici inclinate e verticali o sopra la testa, il supporto magnetico per trapano deve essere assicurato con la cintura fornita a corredo.

La cintura di sicurezza deve essere fissata in maniera tale che il supporto per trapano si muova in direzione opposta all'utente in caso di mancato funzionamento del magnete.

Controllare prima di ogni utilizzo se la cintura di sicurezza è danneggiata o mostra segni di invecchiamento. Non utilizzare cinture di sicurezza difettose!

Durante l'uso l'utensile ad inserto può surriscaldarsi.

AVVERTENZA! Pericolo di ustioni

- durante la sostituzione dell'utensile
- durante il deposito dell'utensile

Non togliere il coltello senza aver prima tolto lo spezzone, onde evitare che quest'ultimo venga espulso all'improvviso.

AUTO STOP

La funzione AUTO STOP disattiva automaticamente l'apparecchio in caso di improvvisa ed eccessiva forza di rotazione sul magnete dell'apparecchio. Rilevare ed eliminare la causa dello stop automatico tenendo conto delle indicazioni di sicurezza.

Le possibili cause sono:

- Il dispositivo ha attraversato il materiale da lavorare rompendolo
- Sovraccarico dell'elettrotensile causa eccessiva spinta
- Superficie magnete non pulita

Spegner e riaccendere l'apparecchio.

PROTEZIONE CONTRO IL RIAVVIO

Se a macchina accesa viene interrotta l'alimentazione di tensione, la macchina non ripartirà automaticamente quando sarà nuovamente presente la tensione. Per continuare a lavorare, spegnere e riaccendere la macchina.

BLOCCO MOTORE/MAGNETE

Il dispositivo di comando ad azione combinata per motore/magnete impedisce l'invio di corrente al motore del trapano se il magnete non è attivato. Questo dispositivo impedisce inoltre la disattivazione del magnete con il motore in funzione.

COLLEGAMENTO ALLA RETE

Alimentazione solo a corrent alternata monofase di tensione pari a quella indicata sulla targhetta. Collegare solo a prese con contatto di terra.

Installare a monte un interruttore di protezione (FI, RCD, PRCD).

Inserire la spina solo con interruttore su posizione „OFF“.

Tenere sempre lontano il cavo di collegamento dall'area di lavoro dell'attrezzo.

MANUTENZIONE

Prima di ogni utilizzo controllare l'apparecchio, il cavo di collegamento, il cavo di prolunga, la cintura di sicurezza e la presa per verificare la presenza di danni o segni di invecchiamento. Parti danneggiate devono essere riparate esclusivamente da un tecnico specializzato.

Tener sempre ben pulite le fessure di ventilazione dell'apparecchio.

Saltuariamente applicare qualche goccia di olio alla cremagliera dentata. I cuscinetti dell'albero sono auto affilanti e non devono essere ingrassati. Utilizzare, per la superficie del carrello, grasso tipo Molykote.

Polvere e sporcizia devono essere sempre tenute lontane dall'apparecchio. Tenere l'impugnatura pulita, asciutta e libera da oli o grassi. Detergenti e solventi sono dannosi alla plastica e ad altre parti isolanti, pertanto pulire l'apparecchio soltanto con sapone neutro ed un panno umido. Non usare mai solventi infiammabili nelle vicinanze dell'apparecchio.

Usare solo accessori Milwaukee e pezzi di ricambio Milwaukee. Gruppi costruttivi la cui sostituzione non è stata descritta, devono essere fatti cambiare da un punto di servizio di assistenza tecnica al cliente Milwaukee (vedi depliant garanzia/indirizzi assistenza tecnica ai clienti).

In caso di mancanza del disegno esploso, può essere richiesto al seguente indirizzo: Techtronic Industries GmbH, Max-Eyth-Straße 10, 71364 Winnenden, Germany.

DICHIARAZIONE DI CONFORMITÀ CE

Assumendone la piena responsabilità, dichiariamo che il prodotto descritto nei "Dati tecnici" è conforme alle pertinenti disposizioni delle direttive

2011/65/EU (RoHS), 2006/42/CE,
2004/108/CE (fino al 19 Aprile 2016),
2014/30/EU (dal 20 Aprile 2016)

e che sono state applicate le seguenti norme armonizzate

EN 55014-1:2006+A1:2009+A2:2011
EN 55014-2:1997 + A1:2001 + A2:2008
EN 61000-3-2:2014
EN 61000-3-3:2013
EN 50581:2012
e normative
EN 62841-1:2015



1



Winnenden, 2015-11-25

Alexander Krug

Alexander Krug / Managing Director
Autorizzato alla preparazione della documentazione tecnica
Techtronic Industries GmbH
Max-Eyth-Straße 10, 71364 Winnenden, Germany

SIMBOLI



ATTENZIONE! AVVERTENZA! PERICOLO!



Prima di effettuare qualsiasi lavoro sulla macchina togliere la spina dalla presa di corrente.



Lavorare sempre in due quando il supporto trapano viene usato rivolto verso l'alto. Trasportare il dispositivo elettrico sempre in due per evitare danni alla schiena.



Leggere attentamente le istruzioni per l'uso prima di mettere in funzione l'elettrostrumento.



Durante l'uso dell'apparecchio utilizzare sempre gli occhiali di protezione.



Utilizzare le protezioni per l'udito!



Indossare guanti protettivi!



PERICOLO! Per ridurre il rischio di lesioni, tenere sempre mani, stracci, indumenti ecc. lontano dalle parti e da scaglie in movimento. Non tentare di togliere le scaglie con il coltello in movimento, in quanto appuntite, e potrebbero tirare oggetti nelle parti in movimento.



È vietato avere con sé parti metalliche ed orologi.



Persone con pace-maker oppure altri impianti medici non devono utilizzare questo supporto a colonna.



Portare di supporti magnetici o elettronici vietati.



Non esporre la macchina alle intemperie.



Punte a spirale



Punte ad inserti



I dispositivi elettrici non devono essere smaltiti con i rifiuti domestici. I dispositivi elettrici ed elettronici devono essere raccolti separatamente e devono essere conferiti ad un centro di riciclaggio per lo smaltimento rispettoso dell'ambiente. Chiedere alle autorità locali o al rivenditore specializzato dove si trovano i centri di riciclaggio e i punti di raccolta.



Utensile elettrico di classe di protezione II. Utensile elettrico sul quale la protezione contro la folgorazione elettrica non dipende soltanto dall'isolamento di base, ma anche dall'applicazione di ulteriori misure di protezione, come il doppio isolamento o l'isolamento maggiorato. Non è predisposto il collegamento di un conduttore di protezione.



Marchio CE



TR 066

Marchio di conformità UkrSEPRO



Marchio di conformità EurAsian

DATOS TÉCNICOS Magnética máquina de perforación de base	MDE 41	MDP 41
Número de producción	4523 56 02... 4523 50 02... ... 000001-999999	4523 43 02... ... 000001-999999
Potencia de salida nominal	1200 W	1200 W
Velocidad en vacío 1ª velocidad Velocidad en vacío 2ª velocidad	475 min ⁻¹ 730 min ⁻¹	475 min ⁻¹ 730 min ⁻¹
Carrera	146 mm	146 mm
Máx. potencia magnética	9,93 kN	8,89 kN
Máx. diámetro de taladrado con	41 mm	41 mm
Máx. diámetro de taladrado con broca maciza	13 mm	13 mm
Eje de admisión	19 mm Weldon	19 mm Weldon
Peso de acuerdo con el procedimiento EPTA 01/2003	13,5 kg	14 kg
Información sobre ruidos Determinación de los valores de medición según norma EN 61029. El nivel de ruido típico del aparato determinado con un filtro A corresponde a:		
Presión acústica (Tolerancia K=3dB(A)) Resonancia acústica (Tolerancia K=3dB(A))	95,0 dB(A) 106,0 dB(A)	95,0 dB(A) 106,0 dB(A)
Usar protectores auditivos!		
Informaciones sobre vibraciones Nivel total de vibraciones (suma vectorial de tres direcciones) determinado según EN 61029.		
Valor de vibraciones generadas a _n Tolerancia K=	2,17 m/s ² 1,5 m/s ²	2,17 m/s ² 1,5 m/s ²

ADVERTENCIA!

El nivel vibratorio indicado en estas instrucciones ha sido medido conforme a un método de medición estandarizado en la norma EN 61029, y puede utilizarse para la comparación entre herramientas eléctricas. También es apropiado para una estimación provisional de la carga de vibración.

El nivel vibratorio indicado representa las aplicaciones principales de la herramienta eléctrica. Si, pese a ello, se utiliza la herramienta eléctrica para otras aplicaciones, con útiles adaptables diferentes o con un mantenimiento insuficiente, el nivel vibratorio puede diferir. Esto puede incrementar sensiblemente la carga de vibración durante todo el periodo de trabajo.

Para una estimación exacta de la carga de vibración deberían tenerse en cuenta también los tiempos durante los que el aparato está apagado o, pese a estar en funcionamiento, no está siendo realmente utilizado. Esto puede reducir sustancialmente la carga de vibración durante todo el periodo de trabajo.

Adopte medidas de seguridad adicionales para la protección del operador frente al efecto de las vibraciones, como por ejemplo: mantenimiento de la herramienta eléctrica y de los útiles adaptables, mantener las manos calientes, organización de los procesos de trabajo.



ADVERTENCIA!

Rogamos leer las indicaciones de seguridad y las instrucciones. En caso de no atenerse a las advertencias de peligro e instrucciones siguientes, ello puede ocasionar una descarga eléctrica, un incendio y/o lesión grave.

Guardar todas las advertencias de peligro e instrucciones para futuras consultas.



INSTRUCCIONES DE SEGURIDAD MAGNÉTICA MÁQUINA DE PERFORACIÓN DE BASE

Usar siempre las piezas de protección de la máquina. Utilice el equipamiento de protección. Mientras trabaje con la máquina lleve siempre gafas protectoras. Se recomienda utilizar ropa de protección como máscara protectora contra el polvo, guantes protectores, calzado resistente y antideslizante, casco y protección para los oídos.

No manipular en el rodillo ni en las cuchillas con la máquina conectada.

Nunca se debe intentar limpiar el polvo o viruta procedente del taladrado con la máquina en funcionamiento.

No use útiles dañados.

Fije o asegure la pieza de trabajo. A fin de reducir el riesgo de lesionarse, no sujete la pieza de trabajo con la mano.

ADVERTENCIA! Las conexiones en húmedo producen sacudidas eléctricas.

No utilice lubricante de corte en una superficie elevada o en posiciones que permitan que el lubricante entre al motor o a la caja del interruptor.

Evite que cualquier pieza metálica alcance las ranuras de ventilación - ¡peligro de cortocircuito!



E

APLICACIÓN DE ACUERDO A LA FINALIDAD

El soporte de taladrar es adecuado para taladrar orificios grandes en acero y otros metales ferruginosos.

INDICACIONES PARA EL TRABAJO

MDP 41: La prensa taladradora electromagnética se acopla magnéticamente a material ferroso de 6,35 mm o más grueso. No la utilice en material de menor grosor. La base magnética NO se fijará a acero inoxidable de grado no magnético.

MDE 41: La prensa taladradora electromagnética se acopla magnéticamente a material ferroso de 9,5 mm o más grueso. No la utilice en material de menor grosor. La base magnética NO se fijará a acero inoxidable de grado no magnético.

El suelo debajo del soporte de taladrar tiene que estar limpio, ser firme, liso, seco y libre de agujeros y pintura.

No exponga el soporte de taladrar a la lluvia ni lo utilice en recintos húmedos o que no sean a prueba de llamas.

Mantenga la presión constante durante toda la operación para evitar que virutas y rebabas caigan debajo de los bordes de corte. Los restos de material de corte debajo de la cortadora pueden dificultar o imposibilitar el corte.

ADVERTENCIA!

El uso excesivo de fuerza liberará el imán.

Evite el contacto con las puntas de la cortadora. Inspeccione periódicamente las puntas de la cortadora para asegurarse que no estén sueltas o dañadas.

Se recomienda el uso de lubricante de corte para prolongar la vida útil de las cortadoras.

En caso de realizar trabajos en superficies inclinadas y verticales o por encima de la cabeza, el soporte de taladrar magnético se tiene que asegurar con la ayuda de la cinta suministrada.

La cinta de seguridad se debe colocar de tal manera que, en caso de fallo del imán, el soporte de taladrar se desplace en sentido contrario al usuario.

Antes de cada utilización de la cinta de seguridad se debe controlar, si ésta presenta signos de deterioro y de envejecimiento. ¡No utilizar una cinta de seguridad defectuosa!

El útil se puede calentar durante el uso.

ADVERTENCIA! Peligro de quemaduras

- en caso de cambiar la herramienta
- en caso de depositar el aparato

No extraiga la cortadora a menos que se haya removido el ralentizador. El mismo puede eyectarse inesperadamente.

PARADA AUTOMÁTICA

En caso de producirse una fuerza de rotación excesiva y brusca sobre el imán, la máquina se apaga automáticamente mediante la PARADA AUTOMÁTICA. Averigüe y elimine la causa de la parada automática, teniendo en cuenta las indicaciones de seguridad.

Causas posibles para ello pueden ser:

- Rotura del material con el que está trabajando.
- Sobrecarga de la herramienta eléctrica debido a un avance excesivo.
- Superficie magnética sucia.

Apagar y volver a encender la máquina.

PROTECCIÓN CONTRA EL REARRANQUE

La máquina conectada no se vuelve a poner en marcha después de un fallo de corriente. Para continuar el trabajo, desconectar y volver a conectar la máquina.

BLOQUEO DEL MOTOR/IMÁN

El enclavamiento del motor/imán es una característica que evita la aplicación de potencia al motor del taladro cuando el imán no se encuentra energizado. El enclavamiento del motor/imán evita además que el imán se desenergice mientras el motor se encuentra en marcha.

CONEXIÓN ELÉCTRICA

Solamente a corriente alterna monofásica y a la tensión de red indicada en la placa de características. Conectar solamente a bases de enchufe, con contacto de protección.

Preconectar un interruptor de corriente de defecto (FI, RCD, PRCD).

Enchufar la máquina a la red solamente en posición desconectada.

Mantener siempre el cable separado del radio de acción de la máquina.

MANTENIMIENTO

Antes de cada utilización del aparato, controlar si el cable de conexión, el cable alargador y el enchufe presentan signos de deterioro y de envejecimiento. Las piezas defectuosas sólo pueden ser reparadas por un especialista.

Las ranuras de ventilación de la máquina deben estar despejadas en todo momento.

De vez en cuando, aplique unas cuentas gotas de aceite en los dientes de la cremallera. Los rodamientos del eje de avance son autolubrificantes y no se deben engrasar. Lubrique la superficie de deslizamiento del carro con grasa Molykote.

Quite siempre el polvo y la suciedad de la herramienta. Observe que la manija se encuentre en todo momento limpia, seca y libre de aceite o grasa. Detergentes y disolventes son nocivos para materiales plásticos y demás partes aislantes. Emplee por ello para su limpieza únicamente jabón suave y un paño húmedo. No utilice jamás solventes inflamables cerca de la herramienta.

Utilice solamente accesorios y repuestos Milwaukee. En caso de necesitar reemplazar componentes no descritos, contacte con cualquiera de nuestras estaciones de servicio Milwaukee (consultar lista de servicio técnicos)

En caso necesario, puede solicitar un despiece de la herramienta. Por favor indique el número de impreso que hay en la etiqueta y pida el despiece a la siguiente dirección: Techtronic Industries GmbH, Max-Eyth-Straße 10, 71364 Winnenden, Germany.



E

DECLARACION DE CONFORMIDAD CE

Declaramos bajo nuestra única responsabilidad que el producto descrito bajo „Datos técnicos“ cumple todas las disposiciones pertinentes de las directivas

2011/65/EU (RoHS), 2006/42/CE,
2004/108/CE (hasta el 19 Abril 2016),
2014/30/EU (desde el 20 Abril 2016)
y que se han implementado

EN 55014-1:2006+A1:2009+A2:2011
EN 55014-2:1997 + A1:2001 + A2:2008
EN 61000-3-2:2014
EN 61000-3-3:2013
EN 50581:2012
las siguientes normas armonizadas
EN 62841-1:2015
y estándares.



Winnenden, 2015-11-25

Alexander Krug / Managing Director
Autorizado para la redacción de los documentos técnicos.
Techtronic Industries GmbH
Max-Eyth-Straße 10, 71364 Winnenden, Germany

SÍMBOLOS



¡ATENCIÓN! ¡ADVERTENCIA! ¡PELIGRO!



Desconecte siempre el enchufe antes de llevar a cabo cualquier trabajo en la máquina.



Si con el soporte de taladro se realizan trabajos por encima del nivel de la cabeza, estos trabajos siempre deberán ser realizados por dos personas. La herramienta eléctrica debe ser transportada siempre por dos personas para evitar lesiones en la espalda.



Lea las instrucciones detenidamente antes de conectar la herramienta



Para trabajar con la máquina, utilizar siempre gafas de protección.



Usar protectores auditivos!



Usar guantes protectores



¡PELIGRO! A fin de reducir el riesgo de lesionarse, mantenga siempre las manos, los trapos, la ropa, etc. alejados de las partes móviles y de las virutas. No trate de remover las virutas mientras la cortadora esté girando. Las virutas son afiladas y pueden tirar de objetos hacia las partes móviles.



Esta prohibido llevar consigo piezas metálicas y relojes.



Las personas con marcapasos u otros implantes médicos no deberán emplear este soporte de taladrar.



Realización de los medios magnéticos o electrónicos prohibida.



No exponga la máquina a la lluvia.



Broca para agujeros roscados



Broca de metal duro



Los aparatos eléctricos no se deben eliminar junto con la basura doméstica. Los aparatos eléctricos y electrónicos se deben recoger por separado y se deben entregar a una empresa de reciclaje para una eliminación respetuosa con el medio ambiente. Infórmese en las autoridades locales o en su tienda especializada sobre los centros de reciclaje y puntos de recogida.



Herramienta eléctrica de la clase de protección II. Herramientas eléctricas, en las que la protección contra un choque eléctrico no depende solamente del aislamiento básico sino también de la aplicación de medidas adicionales de protección, como doble aislamiento o aislamiento reforzado. No existe dispositivo para la conexión de un conductor protector.



Marca CE



Certificado UkrSEPRO de conformidad

TR 066



Certificado EAC de conformidad



E

CARACTERÍSTICAS TÉCNICAS Máquina magnética de perfuração do núcleo	MDE 41	MDP 41
Número de produção	4523 56 02... 4523 50 02... ... 000001-999999	4523 43 02... ... 000001-999999
Potência absorvida nominal	1200 W	1200 W
Velocidade em vazio 1ª velocidade Velocidade em vazio 2ª velocidade	475 min ⁻¹ 730 min ⁻¹	475 min ⁻¹ 730 min ⁻¹
Curso	146 mm	146 mm
Máx. potência magnética	9,93 kN	8,89 kN
Máx. diâmetro de furação com brocas de coroa	41 mm	41 mm
Máx. diâmetro de furação com brocas normais	13 mm	13 mm
Recepção do veio	19 mm Weldon	19 mm Weldon
Peso nos termos do procedimento-EPTA 01/2003	13,5 kg	14 kg
Informações sobre ruído Valores de medida de acordo com EN 61029. O nível de ruído avaliado A do aparelho é tipicamente:		
Nível da pressão de ruído (Incertez K=3dB(A))	95,0 dB(A)	95,0 dB(A)
Nível da potência de ruído (Incertez K=3dB(A))	106,0 dB(A)	106,0 dB(A)
Use protectores auriculares!		
Informações sobre vibração Valores totais de vibração (soma dos vectores das três direcções) determinadas conforme EN 61029.		
Valor de emissão de vibração a _h	2,17 m/s ²	2,17 m/s ²
Incerteza K=	1,5 m/s ²	1,5 m/s ²



Por

ATENÇÃO!

O nível vibratório indicado nestas instruções foi medido em conformidade com um procedimento de medição normalizado na EN 61029 e pode ser utilizado para comparar entre si ferramentas eléctricas. O mesmo é também adequado para avaliar provisoriamente o esforço vibratório.

O nível vibratório indicado representa as principais aplicações da ferramenta eléctrica. Se, no entanto, a ferramenta eléctrica for utilizada para outras aplicações, com outras ferramentas adaptadas ou uma manutenção insuficiente, o nível vibratório poderá divergir. Isto pode aumentar consideravelmente o esforço vibratório ao longo de todo o período do trabalho.

Para uma avaliação exacta do esforço vibratório devem também ser considerados os tempos durante os quais o aparelho está desligado ou está a funcionar, mas não está efectivamente a ser utilizado. Isto pode reduzir consideravelmente o esforço vibratório ao longo de todo o período do trabalho.

Defina medidas de segurança suplementares para proteger o operador do efeito das vibrações, como por exemplo: manutenção da ferramenta eléctrica e das ferramentas adaptadas, manter as mãos quentes, organização das sequências de trabalho.

ATENÇÃO!

Leia todas as instruções de segurança e todas as instruções.

O desrespeito das advertências e instruções apresentadas abaixo pode causar choque eléctrico, incêndio e/ou graves lesões.

Guarde bem todas as advertências e instruções para futura referência.

INSTRUÇÕES DE SEGURANÇA MÁQUINA MAGNÉTICA DE PERFURAÇÃO DO NÚCLEO

Nunca utilizar a máquina sem dispositivo de protecção. Utilizar equipamento de protecção. Durante os trabalhos com a máquina, usar sempre óculos de protecção. Vestuário de protecção, bem como máscara de pó, sapatos fechados e antiderrapante, capacete e protecção auditiva são recomendados.

Não introduza as mãos na área perigosa, estando a máquina em funcionamento.

Não remover aparas ou lascas enquanto a máquina trabalha.

Não utilizar ferramentas de trabalho danificadas.

Werkstücke sicher befestigen oder festspannen. Para reduzir o risco de lesões corporais, não segurar ou apoiar a peça de trabalho com as mãos.

ATENÇÃO! A presença de humidade nos contactos constitui um risco de choque eléctrico.

Não utilizar o fluido de corte numa posição que possa permitir a entrada de fluido de corte no motor ou no interruptor.

Não deixe que peças metálicas toquem nas fendas de circulação de ar - perigo de curto-circuitos.

UTILIZAÇÃO AUTORIZADA

A coluna de suporte é adequada para furar grandes diâmetros em aço e outros metais ferruginosos.

DICAS DE TRABALHO

MDP 41: O engenho de furar electromagnético permite a sua fixação magnética a peças de metal ferroso com espessura igual ou superior a 6,35 mm. Não utilizar em peças com menos de 6,35 mm de espessura. A base magnética NÃO efectua qualquer retenção em aços inoxidáveis de tipo não magnético.

MDE 41: O engenho de furar electromagnético permite a sua fixação magnética a peças de metal ferroso com espessura igual ou superior a 9,5 mm. Não utilizar em peças com menos de 9,5 mm de espessura. A base magnética NÃO efectua qualquer retenção em aços inoxidáveis de tipo não magnético.

A base por baixo do engenho de furar deve ser limpa, fixa, plana, seca e livre de orifícios e tinta.

Não exponha a coluna de suporte à chuva e não a utilize em salas húmidas e sem serem à prova de fogo.

Manter uma pressão constante durante toda a operação, de modo a impedir a queda das aparas e rebarbas sobre os bordos de corte. A presença de aparas e limalhas sob a ferramenta de corte pode dificultar ou mesmo impossibilitar a operação de corte.

ATENÇÃO!

Com uma força excessiva, o íman liberta-se da peça de trabalho.

Evitar o contacto com as pontas da ferramenta de corte. Inspeccionar periodicamente as pontas da ferramenta de corte e verificar se existem pontas soltas ou danificadas. Evitar o contacto com as pontas da ferramenta de corte. Inspeccionar periodicamente as pontas da ferramenta de corte e verificar se existem pontas soltas ou danificadas.

Para a máxima durabilidade dos acessórios de corte, recomenda-se a utilização de fluido de corte.

Nos trabalhos em superfícies inclinadas e verticais e acima da cabeça o engenho de furar magnético deve ser fixado com o cinto fornecido.

O cinto de segurança deve ser fixado, de forma que o engenho de furar se afaste do utilizador em caso de falha do íman.

Antes de qualquer utilização, verifique se o cinto de segurança está danificado ou desgastado. Não use cintos de segurança defeituosos!

A ferramenta de inserção pode ficar quente durante a operação.

ATENÇÃO! Perigo de queimar-se

- na troca das ferramentas
- ao depositar o aparelho

Não remover a ferramenta de corte, sem remover primeiro as limalhas. As limalhas podem ser ejectadas inesperadamente.

PARADA AUTOMÁTICA

Com a PARADA AUTOMÁTICA, a máquina é desligada automaticamente em caso de força de rotação excessiva, aos solavancos. Detecte e elimine a causa da parada automática, observando as instruções de segurança.

Causas possíveis podem ser:

- Ruptura do material a processar
- Sobrecarga da ferramenta eléctrica devido ao avanço demasiado
- Superfície do íman suja

Desligue e ligue novamente a máquina

PROTECÇÃO DE REINÍCIO

Após uma falha de tensão a máquina ligada não arrancará mais. Para continuar a trabalhar, desligue e ligue a máquina novamente.

BLOQUEIO ENCRAVAMENTO/ÍMAN

O sistema de encravamento/íman destina-se a impedir a alimentação da corrente do motor da ferramenta, se o íman não estiver energizado. Este sistema impede ainda a desenergização do íman durante o funcionamento do motor.

LIGAÇÃO À REDE

Ligar só a redes de corrente alternada monofásica com a tensão indicada na chapa de características. Só ligar a tomadas com terra.

Conecte a júsante um interruptor de protecção de corrente de avaria (FI, RCD, PRCD).

Ao ligar à rede, a máquina deve estar desligada.

Manter sempre o cabo de ligação fora da zona de acção da máquina.

MANUTENÇÃO

Antes de qualquer utilização do aparelho, verifique se o cinto de segurança e a ficha estão danificados ou desgastados. Deixe um especialista reparar as peças danificadas.

Manter desobstruídos os rasgos de ventilação na carcaça da máquina.

De tempos a tempos, coloque umas gotas de óleo na cremalheira. Os rolamentos do veio de alimentação são auto-cortantes e não devem ser lubrificados. Lubrifique à superfície da calha de posicionamento com massa Molykote.

Limpe o aparelho sempre que este esteja sujo ou coberto em pó. Mantenha o cabo suporte sempre limpo, seco e livre de óleo e gordura. Produtos de limpeza e solventes afectam plásticos e outros materiais de isolamento. Por isso use apenas um pano com um sabão pouco agressivo para limpar o aparelho. Nunca utilize solventes inflamáveis perto do aparelho.

Utilizar apenas acessórios Milwaukee e peças sobresselentes Milwaukee. Os componentes cuja substituição não esteja descrita devem ser substituídos num serviço de assistência técnica Milwaukee (consultar a brochura relativa à garantia/moradas dos serviços de assistência técnica).

A pedido e mediante indicação da referência que consta da chapa de características da máquina, pode requerer-se um desenho explosivo da ferramenta eléctrica a: Techtronic Industries GmbH, Max-Eyth-Straße 10, 71364 Winnenden, Germany.

DECLARAÇÃO DE CONFORMIDADE CE

Declaramos, sob a nossa inteira responsabilidade, que o produto descrito em «Dados Técnicos» cumpre todas as disposições relevantes das diretivas

2011/65/EU (RoHS), 2006/42/CE,
2004/108/CE (até 19 Abril 2016),
2014/30/EU (a partir de 20 Abril 2016)
tendo sido seguidas as seguintes normas harmonizadas

EN 55014-1:2006+A1:2009+A2:2011
EN 55014-2:1997 + A1:2001 + A2:2008
EN 61000-3-2:2014
EN 61000-3-3:2013
EN 50581:2012
e normas
EN 62841-1:2015





Winnenden, 2015-11-25

Alexander Krug

Alexander Krug / Managing Director
Autorizado a reunir a documentação técnica.

Techtronic Industries GmbH
Max-Eyth-Straße 10, 71364 Winnenden, Germany

SYMBOLE



ATENÇÃO! PERIGO!



Antes de efectuar qualquer intervenção na máquina, tirar a ficha da tomada.



Ao efectuar trabalhos sobre a cabeça com o berbequim de furação, sempre trabalhe com duas pessoas. Sempre carregue a ferramenta eléctrica com duas pessoas para evitar feridas das costas.



Leia atentamente o manual de instruções antes de colocar a máquina em funcionamento.



Usar sempre óculos de protecção ao trabalhar com a máquina.



Use protectores auriculares!



Use luvas de protecção!



PERIGO! Para reduzir o risco de lesões corporais, nunca aproximar as mãos, desperdícios de limpeza, vestuário, etc. das peças móveis ou em movimento e das aparas. Não remover as aparas com a ferramenta de corte em movimento. As aparas apresentam arestas cortantes e podem puxar os objectos na direcção das peças em movimento.



É proibido usar objectos metálicos e relógios.



Pessoas com estimuladores cardíacos ou outros implantes medicinais não devem usar esta coluna de perfuração.



Realização de meio magnético ou eletrónico proibida.



Não exponha a máquina à chuva.



Broca trepanadora



Broca integral



Aparelhos eléctricos não devem ser jogados no lixo doméstico. Aparelhos eléctricos e electrónicos devem ser colectados separadamente e entregues a uma empresa de reciclagem para a eliminação correcta. Solicite informações sobre empresas de reciclagem e postos de colecta de lixo das autoridades locais ou do seu vendedor autorizado.



Ferramenta eléctrica da classe de protecção II. Ferramenta eléctrica, na qual a protecção contra choque eléctrico não só depende do isolamento básico, mas também da aplicação de medidas de protecção suplementares, como isolamento duplo ou reforçado. Não há um dispositivo para a conexão dum condutor de protecção.



Marca CE



Marca de conformidade UkrSEPRO.

TR 066



Marca de conformidade EurAsian.



TECHNISCHE GEGEVENS Magnetische kern boormachine	MDE 41	MDP 41
Productienummer	4523 56 02... 4523 50 02... ... 000001-999999	4523 43 02... ... 000001-999999
Nominaal afgegeven vermogen	1200 W	1200 W
Onbelast toerental 1e versnelling	475 min ⁻¹	475 min ⁻¹
Onbelast toerental 2e versnelling	730 min ⁻¹	730 min ⁻¹
Slaglengte	146 mm	146 mm
Max. magneetkracht	9,93 kN	8,89 kN
Boor-Ø max met kerngatboren	41 mm	41 mm
Boor-Ø max. met spiraalboren	13 mm	13 mm
Asopname	19 mm Weldon	19 mm Weldon
Gewicht volgens de EPTA-procedure 01/2003	13,5 kg	14 kg
Geluidsinformatie Meetwaarden vastgesteld volgens EN 61029. Het kenmerkende A-gewogen geluidsniveau van de machine bedraagt:		
Geluidsdrukniveau (Onzekeerheid K=3dB(A))	95,0 dB(A)	95,0 dB(A)
Geluidsvermogeniveau (Onzekeerheid K=3dB(A))	106,0 dB(A)	106,0 dB(A)
Draag oorbeschermers!		
Trillingsinformatie Totale trillingswaarden (vectorsom van drie richtingebepaald volgens EN 61029.		
Trillingsemisiewaarde a _h	2,17 m/s ²	2,17 m/s ²
Onzekeerheid K=	1,5 m/s ²	1,5 m/s ²



WAARSCHUWING!

De in deze aanwijzingen vermelde trillingsdruk is gemeten volgens een in EN 61029 genommerde meetmethode en kan worden gebruikt voor de onderlinge vergelijking van apparaten. Hij is ook geschikt voor een voorlopige inschatting van de trillingsbelasting.

De aangegeven trillingsdruk geldt voor de meest gebruikelijke toepassingen van het elektrische apparaat. Wanneer het elektrische gereedschap echter voor andere doeleinden, met andere dan de voorgeschreven hulpstukken gebruikt of niet naar behoren onderhouden wordt, kan de trillingsdruk afwijken. Dit kan de waarde van de trillingsdruk over de hele werkperiode aanzienlijk verhogen.

Voor een nauwkeurige inschatting van de trillingsdruk moeten ook de tijden in aanmerking worden genomen dat het apparaat uitgeschakeld is of weliswaar loopt, maar niet werkelijk in gebruik is. Dit kan de waarde van de trillingsdruk over de hele werkperiode aanzienlijk verminderen.

Bepaal extra veiligheidsmaatregelen ter bescherming van de bediener tegen de inwerking van trillingen, bijvoorbeeld: onderhoud van elektrische gereedschappen en apparaten, warmhouden van de handen, organisatie van de werkprocessen.

WAARSCHUWING!

Lees alle veiligheidsinstructies en aanwijzingen door. Als de waarschuwingen en voorschriften niet worden opgevolgd, kan dit een elektrische schok, brand of ernstig letsel tot gevolg hebben.

Bewaar alle waarschuwingen en voorschriften voor toekomstig gebruik.

VEILIGHEIDSADVIEZEN MAGNETISCHE KERN BOORMACHINE

Bescherming van de machine beslist gebruiken. Draag veiligheidsuitrusting. Bij werkzaamheden met de machine dient u altijd een veiligheidsbril te dragen. Veiligheidskleding zoals stofmasker, veiligheidshandschoenen, stevig en slipvast schoeisel, helm en gehoorbescherming worden aanbevolen.

Niet aan de draaiende delen komen.

Spanen of splinters mogen bij draaiende machine niet worden verwijderd.

Gebruik geen beschadigde inzetgereedschappen.

Werkstuk veilig bevestigen of vastspannen. Verminder de kans op letsel: houd het werkstuk niet met de hand vast.

WAARSCHUWING! Natte verbindingen vormen een gevaar voor schokken.

Gebruik geen snijvloeistof in een hoge positie of in een andere positie waarbij snijvloeistof in de behuizing van de motor of de schakelaars kan stromen.

Vanwege kortsluitingsgevaar mogen metaaldeeltjes niet in de luchtschachten terecht komen.

VOORGESCHREVEN GEBRUIK VAN HET SYSTEEM

De boorstandaard is ideaal voor het boren van grote diameters in staal en andere ijzerhoudende metalen.

ARBEIDSinSTRUCTIES

MDP 41: De elektromagnetische boorstandaard wordt op ferromateriaal met een dikte van minstens 6,35 mm magnetisch bevestigd.

Gebruik hem niet op materiaal met een dikte van minder dan 6,35 mm. De magnetische voet houdt NIET op niet-magnetisch roestvast staal.

MDE 41: De elektromagnetische boorstandaard wordt op ferromateriaal met een dikte van minstens 9,5 mm magnetisch bevestigd. Gebruik hem niet op materiaal met een dikte van minder dan 9,5 mm. De magnetische voet houdt NIET op niet-magnetisch roestvast staal.

De ondergrond onder de boorstandaard moet schoon, vast, effen, droog en vrij van gaten en lak zijn.

Stel de boorstandaard niet bloot aan regen en gebruik hem niet in natte, vochtige of explosiegevaarlijke ruimtes.

Houd de druk gedurende het boren steeds constant om te voorkomen dat schiffers en bramen onder de messen vallen. Snijafval onder de snijder kan het snijden moeilijk of onmogelijk maken.

WAARSCHUWING!

Door overmatige kracht wordt de magneet losgebroken.

Vermijd contact met de punten van de snijder. Controleer regelmatig of de punten van de snijder loszitten of beschadigd zijn.

Voor een lange levensduur van deze snijders wordt het gebruik van snijvloei- of stofaanbevelen.

Bij werkzaamheden aan schuine en verticale vlakken en bij bovenhoofdse werkzaamheden moet de magneetboorstandaard worden beveiligd met de bijgeleverde riem.

De veiligheidsriem moet zodanig worden aangebracht dat de boorstandaard van de bediener weg beweegt bij uitval van de magneet.

De veiligheidsriem moet vóór ieder gebruik op schade en slijtage worden gecontroleerd. Gebruik geen defecte veiligheidsriem!

Het gereedschap kan heet worden tijdens het gebruik.

WAARSCHUWING! Gevaar voor verbranding

- bij het vervangen van het gereedschap
- bij het neerleggen van het apparaat

Verwijder de snijder alleen als de prop verwijderd is. De prop kan onverwachts worden uitgestoten.

AUTO-STOP

Door de AUTO STOP wordt de machine automatisch uitgeschakeld bij een te hoge, schokkende draaikracht op de magneet. Achterhaal en verhelp de oorzaak voor de automatische stop met inachtneming van de veiligheidsinstructies.

Mogelijke oorzaken zijn:

- Doorbreken van het te bewerken materiaal
- Overbelasting van het elektrische gereedschap door een te snelle aanvoer
- Verontreinigd magneetoppervlak

De machine uit- en weer inschakelen

HERSTARTBEVEILIGING

Na een spanningsuitval schakelt de machine niet automatisch weer in. Schakel de machine uit en weer in om door te kunnen werken.

MOTOR-/MAGNEETBEVEILIGING

De motor-/magneetbeveiliging voorkomt dat stroom aan de boormotor wordt geleverd als de magneet niet bekrachtigd is. De motor-/magneetbeveiliging voorkomt ook dat de magneet stroomloos wordt gesteld terwijl de motor loopt.

NETAANSLUITING

Alleen aan eenfase-wisselstroom en alleen aan de op het typeplaatje aangegeven netspanning. Alleen aan gearde contactdozen aansluiten.

schakel een foutstroom-veiligheidsschakelaar (FI, RCD, PRCD) voor.

Machine alleen uitgeschakeld aan het net aansluiten.

Snoer altijd buiten werkbereik van de machine houden.

ONDERHOUD

Controleer vóór elk gebruik het toestel, de voedings- en de verlengkabel, de veiligheidsriem evenals de stekker op beschadigingen en slijtage. Beschadigde onderdelen mogen alleen worden gerepareerd door een vakman.

Altijd de luchtspleten van de machine schoonhouden.

Geef de verandering van de tandstang van tijd tot tijd een paar druppeltjes olie. De lagers van de voedingsaandrijfas zijn zelfsmierend en mogen niet worden gesmeerd. Het glijvlak van de slede met Molykote-vet smeren.

Houd het apparaat vrij van stof en verontreinigingen. Houd de handgreep schoon, droog en vrij van olie of vet. Reinigings- en oplosmiddelen zijn schadelijk voor kunststoffen en andere isolerende onderdelen. Reinig het apparaat daarom alleen met een vochtige doek. Gebruik nooit brandbare oplosmiddelen in de buurt van het apparaat.

Gebruik uitsluitend Milwaukee toebehoren en onderdelen. Indien componenten die moeten worden vervangen niet zijn beschreven, neem dan contact op met een officieel Milwaukee servicecentrum (zie onze lijst met servicecentra).

Onder vermelding van het nummer op het machineplaatje is desgewenst een doorsnedetekening van de machine verkrijgbaar bij: Techtronic Industries GmbH, Max-Eyth-Straße 10, 71364 Winnenden, Germany.

EC - VERKLARING VAN OVEREENSTEMMING

We verklaren geheel onder eigen verantwoordelijkheid dat het product in de "Technische data" voldoet aan alle relevante bepalingen van de richtlijnen

2011/65/EU (RoHS), 2006/42/EG,

2004/108/EG (tot 19 April 2016),

2014/30/EU (van 20 April 2016),

en de volgende geharmoniseerde normen

EN 55014-1:2006+A1:2009+A2:2011

EN 55014-2:1997 + A1:2001 + A2:2008

EN 61000-3-2:2014

EN 61000-3-3:2013

EN 50581:2012

en normen

EN 62841-1:2015

zijn gebruikt..



Winnenden, 2015-11-25

Alexander Krug / Managing Director

Gemachtigd voor samenstelling van de technische documenten

Techtronic Industries GmbH

Max-Eyth-Straße 10, 71364 Winnenden, Germany

SYMBOLEN



OPGELET! WAARSCHUWING! GEVAAR!



Voor alle werkzaamheden aan de machine de stekker uit de kontaktdoos trekken.



Werk bij bovenhoofdse werkzaamheden met de boorstandaard altijd met twee personen. Draag het elektrische gereedschap altijd met twee personen om rugletsel te vermijden.



Graag instructies zorgvuldig doorlezen vóórdát u de machine in gebruik neemt.



Bij het werken met de machine altijd een veiligheidsbril dragen.



Draag oorbeschermers!



Draag veiligheidshandschoenen!



GEVAAR! Verminder de kans op letsel: houd uw handen, doeken, kleding enz. altijd bij bewegende onderdelen en schilfers vandaan. Probeer niet om schilfers te verwijderen terwijl de snijder draait. Schilfers zijn scherp en kunnen voorwerpen in bewegende onderdelen trekken.



Meevoeren van metalen delen en uurwerken is verboden.



Personen met pacemaker of andere medische implantaten mogen deze boorstandaard niet gebruiken.



Het dragen van magnetische of elektronische media verboden.



Stel de machine niet bloot aan regen.



Kerngatboor



Volboor



Elektrische apparaten mogen niet via het huisafval worden afgevoerd. Elektrische en elektronische apparaten moeten gescheiden worden verzameld en voor een milieuvriendelijke afvoer worden afgegeven bij een recyclingbedrijf. Informeer bij uw gemeente of bij uw vakhandelaar naar recyclingbedrijven en inzamelpunten.



Elektrisch gereedschap van de beschermingsklasse II. Elektrisch gereedschap waarbij de bescherming tegen elektrische schokken niet afhankelijk is van de basisisolatie, maar waarin ook extra veiligheidsmaatregelen worden toegepast zoals dubbele of versterkte isolatie. Er is geen voorziening voor de aansluiting van een aardleiding.



CE-keurmerk



TR 066

UkrSEPRO -symbool van overeenstemming.



EurAsian-symbool van overeenstemming.



TEKNISKE DATA Magnetiske kerne bore maskine	MDE 41	MDP 41
Produktionsnummer	4523 56 02... 4523 50 02... ... 000001-999999	4523 43 02... ... 000001-999999
Nominel optagen effekt	1200 W	1200 W
Omdrejningstal, ubelastet 1. gear Omdrejningstal, ubelastet 2. gear	475 min ⁻¹ 730 min ⁻¹	475 min ⁻¹ 730 min ⁻¹
Løftehøjde	146 mm	146 mm
Max. magnetkraft	9,93 kN	8,89 kN
Bore-Ø med kernehulbor	41 mm	41 mm
Bore-Ø med kernebor	13 mm	13 mm
Spindelholder	19 mm Weldon	19 mm Weldon
Vægt svarer til EPTA-procedure 01/2003	13,5 kg	14 kg
Støjinformation Måleværdier beregnes iht. EN 61029. Værktøjets A-vurderede støjniveau er typisk:		
Lydtrykniveau (Usikkerhed K=3dB(A))	95,0 dB(A)	95,0 dB(A)
Lydeffekt niveau (Usikkerhed K=3dB(A))	106,0 dB(A)	106,0 dB(A)
Brug høreværn!		
Vibrationsinformation Samlede vibrationsværdier (værdisum for tre retninger) beregnet iht. EN 61029.		
Vibrationseksponering a _h Usikkerhed K=	2,17 m/s ² 1,5 m/s ²	2,17 m/s ² 1,5 m/s ²



ADVARSEL!

Svingningsniveauet, som er angivet i disse anvisninger, er målt i henhold til standardiseret måleprocedure ifølge EN 61029 og kan anvendes til indbyrdes sammenligning mellem el-værktøjer. Svingningsniveauet er ligeledes egnet som foreløbigt skøn over svingningsbelastningen.

Det angivne svingningsniveau er baseret på el-værktøjets primære anvendelsesformål. Hvis el-værktøjet benyttes til andre formål, med andet indsatsværktøj eller ikke vedligeholdes tilstrækkeligt, kan svingningsniveauet afvige. Dette kan øge svingningsbelastningen over den samlede arbejdsperiode betydeligt.

For en nøjagtig vurdering af svingningsbelastningen skal der også tages højde for de tidsperioder, hvor apparatet er slukket, eller hvor apparatet kører, men uden at være i anvendelse. Dette kan reducere svingningsbelastningen over den samlede arbejdsperiode betydeligt.

Supplerende sikkerhedsforanstaltninger til beskyttelse af brugeren mod påvirkninger fra svingninger skal iværksættes, f.eks.: Vedligeholdelse af el-værktøj og indsatsværktøj, varmholdelse af hænder, organisering af arbejdsprocesser.

ADVARSEL!

Læs alle sikkerhedsanvisninger og øvrige vejledninger. I tilfælde af manglende overholdelse af advarselshenvisningerne og instrukserne er der risiko for elektrisk stød, brand og/eller alvorlige kvæstelser.

Opbevar alle advarselshenvisninger og instrukser til senere brug.

SIKKERHEDSHENVISNINGER MAGNETISKE KERNE BORE MASKINE

Maskinens sikkerhedsindretning bør ubetinget benyttes. Brug beskyttelsesudstyr. Bær altid sikkerhedsbriller, når du arbejder med maskinen. Vi anbefaler desuden brug af personlig beskyttelsesudrustning, såsom støvmaske, sikkerhedshandsker, fast og skridsikkert skotøj, hjelm og høreværn.

Pas på ikke at få hånden ind i maskinen.

Spåner eller splinter må ikke fjernes, medens maskinen kører.

Brug ikke el-værktøjet, hvis det er beskadiget.

Fastgør eller fastspænd emnet omhyggeligt. Som forebyggelse mod tilskadekomst bør man aldrig holde emner med hænderne.

ADVARSEL! Væde og el-samlinger giver risiko for elektrisk stød. Der må aldrig benyttes skærevæske når maskinen vender opad el. i anden stilling hvor væsken kan løbe ind i el-motoren og kontakterne.

Metaldele må ikke trænge ind i ventilationsåbningerne, da dette kan føre til kortslutning

TILTÆNKT FORMÅL

Borestanderen kan benyttes til boring af store huller i stål og andre jernholdige metaller.

ARBEJDSANVISNINGER

MDP 41: Magnetfoden kan sættes på jern i 6,35 mm sværhed og derover. Den bør ikke benyttes på gods under 6,35 mm tykkelse. Magnetfoden virker selsagt IKKE på umagnetiske rustfri stålsorter.

MDE 41: Magnetfoden kan sættes på jern i 9,5 mm sværhed og derover. Den bør ikke benyttes på gods under 9,5 mm tykkelse. Magnetfoden virker selsagt IKKE på umagnetiske rustfri stålsorter.

Undergrunden under borestativet skal være ren, fast, glat, tør og uden huller og lak.

Borestanderen må ikke udsættes for regn og må ikke benyttes i våde, fugtige eller eksplosionstruede rum.

Man skal holde trykket jævnt gennem hele skæringen, så smuld og spåner ikke kommer ned under skæret. Hvis skærafaldet kommer under skæret, bliver skæring vanskeligere og måske umulig.

ADVARSEL!

For hårdt tryk kan få magneten til at slippe.

Undgå at røre tænderne på bor. Men bor skal jævnligt ses efter for løse og defekte tænder. Undgå at røre tænderne på bor. Men bor skal jævnligt ses efter for løse og defekte tænder.

Det anbefales at bruge skærevæske for at få disse typer skær til at holde.

Ved arbejde på skrå og lodrette flader og på hovedet skal magnet-borestativet sikres med den medleverede sele.

Sikkerhedsselen skal være anbragt sådan, at borestativet ved magnetsvigt bevæger sig væk fra operatøren.

Kontroller sikkerhedsselen for beskadigelse og ældning ved hver brug. Undlad at bruge en defekt sikkerhedssele!

Indsatsværktøjet kan blive varmt under brugen.

ADVARSEL! Fare for forbrændinger

- ved værktøjskift
- når man lægger maskinen fra sig

Hulbor må ikke tages af maskinen medmindre kernen er fjernet. Kernen kan blive slynget ud uden varsel.

AUTO-STOP

Med AUTO STOP slukkes maskinen automatisk ved en forhøjet pludselig vridningskraft. Registrér og afhjælp årsagen for det automatiske stop under hensyntagen til sikkerhedsoplysningerne.

Mulige årsager herfor kunne være:

- Gennembrud af det materiale, som skal bearbejdes
- Overbelastning af el-værktøjet på grund af for høj fremføring
- Uren magnetflade

Sluk maskinen og tænd igen

GENSTARTSBESKYTTELSE

En tilkoblet maskine starter ikke igen efter en spændingsafbrydelse. For at genoptage arbejdet, skal maskinen kobles fra og til igen.

MOTOR / SOLENOIDLÅS

Sikkerhedsafbryderen mellem el-motor og magnet fungerer sådan at der ingen strøm er til boremaskinen, når magneten ikke er tændt; og omvendt kan magneten ikke slukkes mens boremaskinen går.

NETTILSLUTNING

Tilsluttes kun til enfase-vekselstrøm og kun til den netspænding, som er opgivet på mærkepladen. Tilslutning til stikdåser med jordomskifter.

Foretag seriekobling af et fejlstrømsrelæ (FI, RCD, PRCD).

Maskinen sluttes kun udkoblet til stikdåsen.

Tilslutningskablet holdes hele tiden væk fra maskinens arbejdsområde. Kablet ledes altid bort bag om maskinen.

VEDLIGEHOLDELSE

Inden hver brug skal apparatet, tilslutningskablet, forlængerledning, sikkerhedssele og stik kontrolleres for beskadigelse og ældning. Få beskadigede dele repareret af en fagmand.

Hold altid maskinens ventilationsåbninger rene.

Kom et par dråber olie på tandstangens fortanding en gang imellem. Lejerne på fremføringsakslen er selvsmørende og må ikke smøres med olie. Slædens glideflade smøres med molykotefedt.

Fjern altid støv og snavs fra værktøjet. Hold håndtaget rent, tørt og frit for olie eller fedt. Rengør kun værktøjet med mild sæbe og en fugtig klud, da rengørings- og opløsningsmidler er skadelige for plastmaterialer og andre isolerende dele. Anvend aldrig brændbare opløsningsmidler i nærheden af værktøjet.

Brug kun Milwaukee-tilbehør og Milwaukee-reserve dele.

Komponenter, hvor udskiftningsproceduren ikke er beskrevet, skal skiftes ud hos et Milwaukee-servicested (se brochure garanti/kundeserviceadresser).

Ved opgivelse af type nr. der er angivet på maskinens effektskilt, kan de rekvirere en reservedelstegning, ved henvendelse til: Techtronic Industries GmbH, Max-Eyth-Straße 10, 71364 Winnenden, Germany.

CE-KONFORMITETSERKLÆRING

Vi erklærer som eneansvarlige, at produktet, som beskrives under „Tekniske data“, opfylder alle de relevante bestemmelser i direktiverne

2011/65/EU (RoHS), 2006/42/EF,
2004/108/EF (indtil 19 April 2016),
2014/30/EU (fra 20 April 2016)
og følgende harmoniserede standarder
EN 55014-1:2006+A1:2009+A2:2011
EN 55014-2:1997+A1:2001+A2:2008
EN 61000-3-2:2014
EN 61000-3-3:2013
EN 50581:2012
og standarder
EN 62841-1:2015
er blevet anvendt..



Winnenden, 2015-11-25

Alexander Krug / Managing Director
Autoriseret til at udarbejde de tekniske dokumenter.

Techtronic Industries GmbH
Max-Eyth-Straße 10, 71364 Winnenden, Germany



SYMBOLER



VIGTIGT! ADVARSEL! FARE!



Før ethvert arbejde ved maskinen skal stikket tages ud af stikdåsen.



Når der arbejdes med borestativet over hovedet, skal man altid være to personer. Vær altid to personer om at bære el-værktøjet for at undgå rygskader.



Læs brugsanvisningen nøje før ibrugtagning.



Når der arbejdes med maskinen, skal man have beskyttelsesbriller på.



Brug høreværn!



Brug beskyttelseshandsker!



FARE! Man skal passe på altid at holde hænder, klude, beklædning osv. på forsvarlig afstand af bevægelige dele og spåner, så man ikke kommer til skade. Man må aldrig forsøge på at fjerne spåner mens boret går rundt. Spåner er knivskarpe, og de kan fange objekter ind i bevægelige dele.



Det er forbudt at medføre metaldele og Ure.



Personer med pacemaker eller andre medicinske implanter må ikke anvende denne borestander.



Regnskabsmæssig af magnetiske eller elektroniske medier forbudt.



Udsæt ikke maskinen for regn.



Kernebor



Massivt bor



Elektrisk udstyr må ikke bortskaffes sammen med det almindelige husholdningsaffald. Elektrisk og elektronisk udstyr skal indsamles særskilt og afleveres hos en genbrugsvirksomhed til en miljømæssig forsvarlig bortskaffelse. Spørg de lokale myndigheder eller din forhandler om genbrugsstationer og indsamlingssteder til sådant affald.



Kapslingsklasse II elværktøj. Elværktøj, hvor beskyttelsen mod et elektrisk stød ikke kun afhænger af basisisoleringen men også af, at der anvendes yderligere beskyttelsesforanstaltninger som dobbelt isolering eller forstærket isolering. Der findes ikke udstyr til tilslutning af en beskyttelsesleder.



CE-mærke



UKRSEPRO overensstemmelsesmærke.



EurAsian overensstemmelsesmærke.



TEKNISKE DATA Magnetisk kjerneboring maskin	MDE 41	MDP 41
Produksjonsnummer	4523 56 02... 4523 50 02... ... 000001-999999	4523 43 02... ... 000001-999999
Nominell inngangseffekt	1200 W	1200 W
Tomgangsturtall 1. gir Tomgangsturtall 2. gir	475 min ⁻¹ 730 min ⁻¹	475 min ⁻¹ 730 min ⁻¹
Slaghøyde	146 mm	146 mm
Maks. magnetkraft	9,93 kN	8,89 kN
Bor -ø maks med kjernehullbor	41 mm	41 mm
Bor -ø maks med helbor	13 mm	13 mm
Spindelinntak	19 mm Weldon	19 mm Weldon
Vekt i henhold til EPTA-Prosedyren 01/2003	13,5 kg	14 kg
Støyinformasjon Måleverdier fastslått i samsvar med EN 61029. Det typiske A-bedømte støynivået for maskinen er:		
Lydtrykknivå (Usikkerhet K=3dB(A))	95,0 dB(A)	95,0 dB(A)
Lydeffektnivå (Usikkerhet K=3dB(A))	106,0 dB(A)	106,0 dB(A)
Bruk hørselsvern!		
Vibrasjonsinformasjoner Totale svingningsverdier (vektorsum fra tre retninger) beregnet jf. EN 61029.		
Svingningsemisjonsverdi a _n	2,17 m/s ²	2,17 m/s ²
Usikkerhet K=	1,5 m/s ²	1,5 m/s ²



ADVARSEL!

Svingningsnivået som er angitt i denne instruksjonen er målt i overensstemmelse med målemetoden normert i direktiv EN 61029 og kan brukes til å sammenligne elektromaskiner med hverandre. Den egner seg også for en foreløbig vurdering av svingningsbelastningen.

Det angitte svingningsnivået representerer de hovedsaklige bruk av elektroverktøyet. Men anvendes elektroverktøyet for andre bruk med avvikende utskiftbare verktøy eller vedlikeholdet er utilstrekkelig, kan svingningsnivået være avvikende.

Dette kan forhøye svingningsbelastning betydelig over hele arbeidsperioden. For en nøyaktig vurdering av svingningsbelastningen må også det tas hensyn til tiden apparatet er avslått eller står på, men ikke er i bruk. Dette kan redusere svingningsbelastningen betydelig over hele arbeidsperioden.

Innfør også ekstra sikkerhetstiltak for å beskytte bruker mot utvirkingen av svingningene. Disse kan f.eks. være: vedlikehold av elektroverktøyet og det utskiftbare verktøyet, holde hendene varme, organisasjon av arbeidsforløpet.



ADVARSEL!

Les alle sikkerhetsinstruksjoner og bruksanvisninger. Feil ved overholdelsen av advarslene og nedenstående anvisninger kan medføre elektriske støt, brann og/eller alvorlige skader.

Ta godt vare på alle advarslene og informasjonene.

ADVARSEL! Våte koblinger medfører støtfare.

Bruk ikke skjærevæske i høyden eller på et annet sted som fører til at væsken renner inn i motoren eller i bryterkapslinger.

På grunn av kortslutningsfare må metalldele ikke komme inn i lufteåpningene.



SPESIELLE SIKKERHETSHENVISNINGER MAGNETISK KJERNEBORING MASKIN

Bruk alltid maskinens beskyttelsesinnretninger. Bruk vernebekledning. Ta alltid på vernebrille ved bruk av maskinen. Vernebekledning så vel som støvmaske, vernehansker, fast og sklissikkert skotøy, hjem og hørselsvern er anbefalt.

Ikke grip inn i fareområdet mens maskinen er i gang.

Spon eller fliser må ikke fjernes mens maskinen er i gang.

Ikke bruk skadede innsatsverktøy.

Fest eller spenn fast emnene sikkert. For å unngå skaderisiko skal arbeidstykket ikke holdes med hendene.

FORMÅLSMESSIG BRUK

Borestativet kan brukes for store borer i stål og i andre jernholdige metall.

ARBEIDSinSTRUKSJONER

MDP 41: Den elektromagnetiske søyleboremaskinen fester seg magnetisk til 6,35 mm eller tykkere jernmateriale. Må ikke brukes på materiale med tykkelse under 6,35 mm. Det magnetiske

fundamentet HOLDER IKKE ikke-magnetiske legeringer av rustfritt stål.

MDE 41: Den elektromagnetiske søyleboremaskinen fester seg magnetisk til 9,5 mm eller tykkere jernmateriale. Må ikke brukes på materiale med tykkelse under 9,5 mm. Det magnetiske fundamentet HOLDER IKKE ikke-magnetiske legeringer av rustfritt stål.

Undergrunnen under borestativet skal være rent, fast, glatt, tørt og uten hull eller lakk.

Ikke utsett borestativet for regn og ikke bruk det i fuktige eller i rom der det er eksplosjonsfare.

Hold et konstant trykk under hele operasjonen for å hindre at avfall og støv kommer inn under skjærekantene. Skjæringsavfall under skjæreren kan gjøre skjæringen vanskelig eller umulig.

ADVARSEL!

Hvis du bruker for mye kraft vil dette bryte løs magneten.

Unngå å komme i kontakt med skjærerspissene. Skjærerspissene bør periodisk sjekkes for løse eller skadde spisser. Unngå å komme i kontakt med skjærerspissene. Skjærerspissene bør periodisk sjekkes for løse eller skadde spisser.

Det anbefales å bruke skjærevæske for å forlenge brukstiden på skjærerne.

Ved arbeid på skrå og loddrette flater og arbeid over hodet skal magnetborestativet sikres med det medleverte beltet.

Sikkerhetsbeltet skal festes slik at borestativet ved magnetsvikt beveger seg bort fra brukeren.

Kontroller sikkerhetsbelte før hvert bruk på skade og slitasje. Ikke bruk sikkerhetsbelter som er defekt!

Isatt verktøy kan i bruk bli veldig varmt.

ADVARSEL! Fare for forbrenning

- ved skifting av verktøy
- når apparatet legges ned

Skjæreren må ikke fjernes med mindre sluggen er fjernet først. Sluggen kan slynges ut uten forvarsel.

AUTO-STOP

Med AUTO STOP blir en for høy-rykkevis dreiekråft på magneten blir maskinen slått av automatisk. Etterforsk og utbedre feilen av den automatiske stoppen i hensyn til sikkerhetsinstruksene.

Mulige årsaker kan være:

- Gjennombrytning av materialet som bearbeides
- Overbelastning av elektroverktøyet på grunn av for høy fremføring
- Uren magnetflate

Slå maskinen av og så på igjen

AUTOMATISK GJENSTARTSBESKYTTELSE

En påslått maskin starter etter et spenningsbrudd ikke automatisk igjen. For å kunne fortsette å arbeide må maskinen slås av og så på igjen.

MOTOR/MAGNET-BLOKKERING

Motor/magnet-blokkering er en funksjon som hindrer at boremotoren blir strømførende hvis magneten ikke er aktivert. Motor/magnet-blokkering hindrer også magneten i å bli deaktivert mens motoren går.

NETTILKOPLING

Skal kun tilkoples enfase-vekselstrøm og kun til den nettspenning som er oppgitt på typeskiltet. Skal kun tilkoples stikkontakter med jordet kontakt.

Koble foran til en feilstømsavbryter (FI; RCD; PRCD).

Maskinen må være slått av når den kobles til stikkontakten.

Hold ledningen alltid vekk fra maskinens virkeområde. Før ledningen alltid bakover fra maskinen.

VEDLIKEHOLD

Kontroller før hvert bruk apparatet, tilslutningskabelen, sikkerhetsbeltet og støpselet på skader og slitasje. Skadede deler skal bare repareres av en fagmann.

Hold alltid luftenåpningene på maskinen rene.

Drypp en par dråper olje på fortanningen av tannstangen. Lageret til fremføringsakselen er selvsømløsende og skal aldri oljes. Glideflatten til sleden skal smøres med Molykote-fett.

Fjern alltid støv og smuss fra apparatet. Hold håndtaket rent, tørt og fritt for olje og fett. Rense- og løsemiddel er skadelig for kunststoff og andre isolerende deler, rengjør derfor apparatet bare med en mild såpe og en fuktig klut. Bruk aldri brennbart løsemiddel i nærheten av apparatet.

Bruk kun Milwaukee tilbehør og Milwaukee reservedeler. Komponenter der utskifting ikke er beskrevet skal skiftes ut hos Milwaukee kundeservice (se brosjyre garanti/kundeserviceadresser).

Ved behov kan du be om en eksplosjonstegning av apparatet hos din kundeservice eller direkte hos Techtronic Industries GmbH, Max-Eyth-Straße 10, 71364 Winnenden, Germany. Oppgi maskintype og det nummeret på typeskiltet.

CE-SAMSVARERKLÆRING

Vi erklærer i alene ansvar at produktet beskrevet i „Tekniske data“ overensstemmer med alle relevante forskrifter til Eu direktiv

2011/65/EU (RoHS), 2006/42/EC, 2004/108/EC (til 19 April 2016), 2014/30/EU (fra 20 April 2016) og de følgende harmoniserte normative dokumentene.

EN 55014-1:2006+A1:2009+A2:2011

EN 55014-2:1997 + A1:2001 + A2:2010

EN 61000-3-2:2014

EN 61000-3-3:2013

EN 50581:2012

og normative dokumenter

EN 62841-1:2015

fyrstikker.



Winnenden, 2015-11-25

Alexander Krug / Managing Director

Autorisert til å utarbeide den tekniske dokumentasjonen

Techtronic Industries GmbH

Max-Eyth-Straße 10, 71364 Winnenden, Germany



Nor

SYMBOLER



OBS! ADVARSEL! FARE!



Trekk støpslet ut av stikkkontakten før du begynner arbeider på maskinen.



Ved arbeid over hode med bruk av borstativ skal alltid to personer jobbe sammen. Elektroverktøyet skal alltid bæres av to personer for å unngå ryggproblemer.



Les nøye gjennom bruksanvisningen før maskinen tas i bruk.



Bruk alltid vernebrille når du arbeider med maskinen.



Bruk hørselsvern!



Bruk vernehansker !



FARE! For å redusere skaderisikoen må hender, kluter, klær, osv. holdes på god avstand fra bevegelige deler og avfall. Forsøk ikke å fjerne avfall mens skjærerer roterer. Avfallsflisene er skarpe og kan trekke gjenstander inn i de bevegelige delene.



Det er forbudt å ha med seg metalleder eller klokker.



Personer med pacemakere eller andre medisinske implanter må ikke bruke dette borestativet.



Gjennomføring av magnetiske eller elektroniske medier forbudt.



Maskinen skal ikke utsettes for regn.



Kjernebor



Massivt bor



Elektriske apparat skal ikke kastes sammen med vanlig husholdningsavfall. Elektriske og elektroniske apparat skal samles separat og leveres til miljøvennlig deponering til en avfall bedrift. Informer deg hos myndighetene på stedet eller hos din fagforhandler hvor det finnes recycling bedrifter oppsamlingssteder.



Elektroverktøy av verneklasse II. Elektroverktøy hvor beskyttelse mot elektrisk slag ikke bare er avhengig av basisisoleringen, men som også er avhengig av at tilleggsvernetiltak som dobbelt eller forsterket isolering blir brukt. Det finnes ingen innretning for tilkobling av en beskyttelsesleder.



CE-tegn



UkrSEPRO Konformitetstegn.

TR 066



EurAsian Konformitetstegn.



TEKNISKA DATA Magnetisk kärnbormaskinen	MDE 41	MDP 41
Produktionsnummer	4523 56 02... 4523 50 02... ... 000001-999999	4523 43 02... ... 000001-999999
Nominell upptagen effekt	1200 W	1200 W
Tomgångsvarvtal, obelastad 1:a växel Tomgångsvarvtal, obelastad 2:a växel	475 min ⁻¹ 730 min ⁻¹	475 min ⁻¹ 730 min ⁻¹
Slaglängd	146 mm	146 mm
Max. magnetkraft	9,93 kN	8,89 kN
Max. borrar diameter med borkrona	41 mm	41 mm
Max. borrar diameter med spiralborr	13 mm	13 mm
Spindelfäste	19 mm Weldon	19 mm Weldon
Vikt enligt EPTA 01/2003	13,5 kg	14 kg
Bullerinformation Mätvärdena har tagits fram baserade på EN 61029. A-värdet av maskinens ljudnivå utgör:		
Ljudtrycksnivå (Onoggrannhet K=3dB(A))	95,0 dB(A)	95,0 dB(A)
Ljudeffektsnivå (Onoggrannhet K=3dB(A))	106,0 dB(A)	106,0 dB(A)
Använd hörselskydd!		
Vibrationsinformation Totala vibrationsvärden (vektorsumma ur tre riktningar) framtaget enligt EN 61029.		
Vibrationsemisjonsvärde a _h Onoggrannhet K=	2,17 m/s ² 1,5 m/s ²	2,17 m/s ² 1,5 m/s ²



VARNING!

Den i de här anvisningarna angivna vibrationsnivån har uppmätts enligt ett i EN 61029 normerat mätförfarande och kan användas vid jämförelse mellan olika elverktyg. Nivån är även lämplig att använda vid en preliminär bedömning av vibrationsbelastningen.

Den angivna vibrationsnivån representerar den huvudsakliga användningen av det aktuella elverktyget. Men om elverktyget ska användas i andra användningsområden, tillsammans med avvikande insatsverktyg eller efter otillräckligt underhåll, kan vibrationsnivån skilja sig. Det kan öka vibrationsbelastningen betydligt under hela arbetstiden.

För att få en exaktare bedömning av vibrationsbelastningen ska även den tid beaktas, under vilken elverktyget är avstängt eller är påslaget, utan att det verkligen används. Det kan reducera vibrationsbelastningen betydligt under hela arbetstiden.

Lägg som skydd för användaren fast extra säkerhetsåtgärder mot vibrationernas verkan, som till exempel: underhåll av elverktyg och insatsverktyg, varmhållning av händer och organisering av arbetsförlopp.



VARNING!

Läs alla säkerhetsanvisningar och andra tillhörande anvisningar. Fel som uppstår till följd av att anvisningarna nedan inte följs kan orsaka elstöt, brand och/eller allvarliga kroppsskador.
Förvara alla varningar och anvisningar för framtida bruk.

VARNING! Väta anslutningar utgör risk för elektriska stötar.

Använd inte skärvätska i upp- och nedvänt eller annat läge där det finns risk för att vätskan ska komma in i motorn eller brytarhöljet.

OBS! Undvik att metalldelar hamnar i luftslitsarna - risk för kortslutning!



SÄKERHETSUTRUSTNING MAGNETISK KÄRNBORRMASKINEN

Använd alltid maskinens skyddsanordningar. Använd skyddsutrustning. Använd alltid skyddsglasögon när du använder maskinen. Som skyddsutrustning rekommenderar vi t ex en dammskyddsmask, skyddshandskar, stabila och halksäkra skor, hjälm och hörselskydd.

Lakttag största försiktighet när maskinen är igång.

Avlägsna aldrig spån eller flisor när maskinen är igång.

Använd aldrig skadade insatsverktyg.

OBS! Försäkra dig att arbetstycket är fastsatt. För att minska risken för personskada, håll inte arbetstycket med händerna.

ANVÄND MASKINEN ENLIGT ANVISNINGARNA

Magnetborrstativet är anpassat för borrar i stora hål i stål och andra järnhaltiga metaller.

ARBETSANVISNINGAR

MDP 41: Den elektromagnetiska pelarborrmaskinen fästs magnetiskt vid järnmaterial som är 6,35 mm eller tjockare. Använd inte maskinen med material som är tunnare än 6,35 mm. Den magnetiska basen HÅLLER INTE på icke-magnetiska rostfria stål.

MDE 41: Den elektromagnetiska pelarborrmaskinen fästs magnetiskt vid järnmaterial som är 9,5 mm eller tjockare. Använd inte maskinen med material som är tunnare än 9,5 mm. Den magnetiska basen HÅLLER INTE på icke-magnetiska rostfria stål.

Underlaget under borrstativet ska vara rent, plant, torrt och vara fritt från hål och lack.

Utsätt inte magnetborrstativet för regn och använd det inte i fuktiga eller icke flamsäkra rum.

Håll konstant tryck under hela arbetet för att hindra att spån och grader faller under eggarna. Skärskräp under skåret kan göra det svårt eller omöjligt att skära.

VARNING!

Överdriven kraft bryter loss magneten.

Undvik kontakt med skårets egg. Inspektera regelbundet skårets egg för att se om de är lösa eller skadade.

Vi rekommenderar att du använder skärvätska så att dessa skär varar länge.

Vid arbeten på lutande och lodräta ytor samt arbeten över huvudet ska magnetborrstativet säkras med remmen som ingår i köpet. Säkerhetsremmen ska fästas på så sätt, att borrstativet rör sig bort från användaren om magneten skulle bortfalla.

Kontrollera säkerhetsremmen innan varje användning om den är skadad eller har åldrats. Använd aldrig en säkerhetsrem som är defekt!

Verktyget som används kan bli mycket varmt under användningen.

VARNING! Risk för brännskador

- vid verktygsbyte
- när man lägger ifrån sig maskinen

Ta inte bort skåret förrän pluggen är borttagen. Pluggen kan plötsligt kastas ut.

AUTO-STOP

Med AUTO STOP stängs maskinen automatiskt av om en för hög och plötslig rotationskraft inverkar på magneten. Ta reda på orsaken som utlöste Auto-Stop och åtgärda felet - beakta alla säkerhetsanvisningar.

Möjliga orsaker kann vara:

- Materialet som ska bearbetas har gått sönder
- Elverktyget har överbelastats på grund av för stor frammatning
- Magnetytan är inte ren

Stäng av maskinen och sätt sedan på den igen

ÅTERSTARTSSKYDD

Även om maskinen är tillkopplad startar den inte igen efter ett spänningsavbrott. För att kunna fortsätta med arbetet måste du först fränkoppla den och sedan tillkoppla den igen.

MOTOR/MAGNET-SPÄRREN

Motor/magnet-spärren är en funktion som hindrar att ström förs till bormotorn om magneten inte är aktiverad. Motor/magnet-spärren hindrar också att magneten avmagnetiseras medan motorn går.

NÄTANSLUTNING

Endast till enf. Växelström och endast till den nätspänning som finns angiven på effektskytten. Anslut endast till skyddsjordat vägguttag.

Förkoppla en felström-skyddsbrytare (FI, RCD, PRCD).

Maskinen skall vara fränkopplad innan den anslutes till väggurtag.

Nätkabeln skall alltid hållas ifrån arbetsområdet. Lägg kabeln bakåt i förhållande till arbetsriktningen.

SKÖTSEL

Kontrollera verktyget resp. maskinen, anslutningskabeln, skarvkabeln, säkerhetsremmen och stickproppen innan varje användning om de är skadade eller har åldrats. Endast en fackman får reparera skadade delar.

Se till att motorhöljets luftslitsar är rena.

Kuggstången skall då och då smörjas med några droppar olja. Mataraxelns lager är självmörjande och behöver därför ej smörjas. Fetta in slädens ytor med Molykote fett.

Avlägsna alltid damm och smuts från verktyget. Håll handtaget rent, torrt och fritt från olja och fett. Starka rengörings- och lösningsmedel skadar plast och andra isolerande delar. Använd därför endast en mild tvål och en fuktig duk för att rengöra verktyget. Använd aldrig brandfarliga lösningsmedel i närheten av verktyget.

Använd endast Milwaukee-tillbehör och Milwaukee-reservdelar. Komponenter, för vilka inget byte beskrivs, skall bytas ut hos Milwaukee-kundtjänst (se broschyren garanti-/kundtjänstadresser).

Vid behov av sprängskiss, kan en sådan, genom att uppgä maskinens art. nr. (som finns på typskylten) erhållas från: Techtronic Industries GmbH, Max-Eyth-Straße 10, 71364 Winnenden, Germany.

CE-FÖRSÄKRAN

Vi tar på vårt ansvar att produkten som har beskrivits under Tekniska data uppfyller alla relevanta villkor i direktiven

2011/65/EU (RoHS), 2006/42/EG,

2004/108/EG (fram till 19 April 2016),

2014/30/EU (från 20 April 2016)

samt att följande harmoniserade standarder

EN 55014-1:2006+A1:2009+A2:2011

EN 55014-2:1997 + A1:2001 + A2:2008

EN 61000-3-2:2014

EN 61000-3-3:2013

EN 50581:2012

och standarder

EN 62841-1:2015

har använts..



Winnenden, 2015-11-25

Alexander Krug / Managing Director
Befullmäktigad att sammanställa teknisk dokumentation.

Techtronic Industries GmbH

Max-Eyth-Straße 10, 71364 Winnenden, Germany



SYMBOLER



OBSERVERA! VARNING! FARA!



UkrSEPRO överensstämmelsesymbol.



Drag alltid ur kontakten när du utför arbeten på maskinen.



EurAsian överensstämmelsesymbol.



Om borrarstativet används på en höjd över huvudet ska man alltid vara två. Var också alltid två för att bära elverktyget. Det skonar ryggen och förhindrar ryggskador.



Läs instruktionen noga innan du startar maskinen.



Använd alltid skyddsglasögon.



Använd hörselskydd!



Bär skyddshandskar!



FARA! För att minska risken för personskada ska du alltid hålla händer, trasor, kläder osv borta från rörliga delar och spån. Försök inte ta bort spån medan skäret roterar. Spån är vassa och kan dra in föremål i rörliga delar.



Operatören får inte medföra metalldelar eller klockor.



Personer med pacemaker eller andra medicinimplantat får inte använda detta borrarstativ.



Bära av magnetiska eller elektroniska medier förbjuden.



Utsätt sågen inte för regn.



Kärnhålsborr



Djupborr



Elektriska maskiner och elverktyg som kasseras får inte slängas tillsammans med de vanliga hushållsoporna. Elektriska maskiner och verktyg samt elektronisk utrustning som kasseras ska samlas separat och lämnas till en avfallsstation för miljövänlig avfallshantering. Kontakta den lokala myndigheten respektive kommunen eller fråga återförsäljare var det finns speciella avfallsstationer för elskrot.



Elverktyg skyddsklass II. Elverktyg hos vilket skyddet mot elstötar inte bara är avhängigt av basisoleringen utan också av att det finns extra skyddsåtgärder, som en dubbel isolering eller en förstärkt isolering. Det finns ingen anordning för anslutning av en skyddsledare.



CE-symbol

TEKNISET ARVOT Magneettisydän porakone	MDE 41	MDP 41
Tuotantomerkki	4523 56 02... 4523 50 02... ... 000001-999999	4523 43 02... ... 000001-999999
Nimellinen teho	1200 W	1200 W
Kuormittamaton kierrosnopeus 1. vaihde	475 min ⁻¹	475 min ⁻¹
Kuormittamaton kierrosnopeus 2. vaihde	730 min ⁻¹	730 min ⁻¹
Iskun pituus	146 mm	146 mm
Magneettivoima, max	9,93 kN	8,89 kN
Suurin poraushalkaisija kalvaimella	41 mm	41 mm
Suurin poraushalkaisija poranterällä	13 mm	13 mm
Karapidin	19 mm Weldon	19 mm Weldon
Paino EPTA-meneteltyn 01/2003 mukaan	13,5 kg	14 kg
Melunpäästötiedot		
Mitta-arvot määritetty EN 61029 mukaan. Koneen tyyppinen A-luokitettu melutaso:		
Melutaso (Epävarmuus K=3dB(A))	95,0 dB(A)	95,0 dB(A)
Äänenvoimakkuus (Epävarmuus K=3dB(A))	106,0 dB(A)	106,0 dB(A)
Käytä kuulosuojaimia!		
Tärinätiedot		
Värähtelyn yhteisarvot (kolmen suunnan vektorisummitattuna EN 61029 mukaan).		
Värähtelyemissioarvo a _h	2,17 m/s ²	2,17 m/s ²
Epävarmuus K=	1,5 m/s ²	1,5 m/s ²



VAROITUS!

Näissä ohjeissa mainittu värähtelytaso on mitattu EN 61029 -standardin mukaisella mittausmenetelmällä ja sitä voidaan käyttää sähkötyökalujen vertaamiseen. Sitä voidaan käyttää myös värähtelyrasituksen väliaikaiseen arviointiin.

Mainittu värähtelytaso edustaa sähkötyökalun pääasiallista käyttöä. Jos sähkötyökalua kuitenkin käytetään muihin tehtäviin, poikkeavin työkaluin tai riittämättömästi huoltaen, värähtelytaso voi olla erilainen. Se voi korottaa värähtelyrasitusta koko työajan osalta.

Tarkan värähtelyrasituksen toteamiseen tulee ottaa huomioon aika, jona laite on kytketty pois tai on kylläkin päällä, mutta ei käytössä. Se voi pienentää värähtelyrasitusta koko työajan osalta.

Määrittele lisäturvatoimenpiteitä käyttäjän suojaamiseksi värinöiden vaikutukselta, kuten esimerkiksi: sähkötyökalujen ja käyttötyökalujen huolto, käsien lämpimän pitäminen, työvaiheiden organisaatio.



VAROITUS!

Lue kaikki, myös annetut turvallisuusmääräykset ja käyttöohjeet. Turvallisuusohjeiden noudattamisen laiminlyönti saattaa johtaa sähköiskuun, tulipaloon ja/tai vakavaan loukkaantumiseen.

Säilytä kaikki turvallisuus- ja muut ohjeet tulevaisuutta varten.

Kiinnitä työkalu kunnolla. Tapaturmien välttämiseksi älä pidä työkalusta kiinni käsin.

VAROITUS! Märät liitännät voivat aiheuttaa sähköiskun. Älä käytä leikkuunestettä yläpuolisessa työssä tai muussa asennossa, jossa leikkuunestettä voi päästä moottoriin tai kytkinkoteloon.

Älä päästä metalliesineitä tuuletusaukkoihin - oikosulkuvaara



TURVALLISUUSOHJEET MAGNEETTISYDÄN PORAKONE

Laitteen suojarusteita on ehdottomasti käytettävä. Käytä suojarusteita. Käytä aina suojalaseja käyttäessäsi konetta. Suosittelemme suojarusteiden käyttöä, näihin kuuluvat pölysuojanaamari, työkasineet, tukevat, luistamattomat jalkineet, kypärä ja kuulosuojukset.

Älä tartu käynnistetyn laitteen työskentelyalueelle.

Lastuja tai puruja ei saa poistaa koneen käydessä.

Älä käytä vaurioituneita vaihtotyökaluja.

TARKOITUKSEN MUKAINEN KÄYTTÖ

Porausteline soveltuu läpimitaltaan suurten reikien poraamiseen teräkseen ja muihin rautametalleihin.

TYÖSKENTELYOHJEITA

MDP 41: Sähkömagneettinen porakone kiinnittyy magneettisesti rauta-alustaan, jonka paksuus on 6,35 mm tai enemmän. Älä käytä alle 6,35 mm paksuista alustaa. Magneetin pohja EI tartu ei-magneettisiin ruostumattomiin teräksiin.

MDE 41: Sähkömagneettinen porakone kiinnittyy magneettisesti rauta-alustaan, jonka paksuus on 9,5 mm tai enemmän. Älä

käytä alle 9,5 mm paksuista alustaa. Magneetin pohja EI tartu ei-magneettisiin ruostumattomiin teräksiin.

Poranpylvään alustan tulee olla puhdas, sileä ja kuiva, eikä siinä saa olla reikiä tai maalia.

Porasteline tulee suojata sateelta eikä sitä pidä käyttää kosteissa tai herkästi syttyissä tiloissa.

Koko leikkaustyön aikana paine tulee pitää tasaisena, jotta lastut ja särmät eivät pääsisi putoamaan leikkausreunojen alle. Leikkurin alla olevat jätteet voivat vaikeuttaa leikkaamista tai estää sen kokonaan.

VAROITUS!

Liiallisen voiman käyttö irrottaa magneetin otteen.

Älä kosketa leikkurin kärkiä. Tarkista aika ajoin, ettei leikkurissa ole irtonaisia tai vahingoittuneita kärkiä. Älä kosketa leikkurin kärkiä. Tarkista aika ajoin, ettei leikkurissa ole irtonaisia tai vahingoittuneita kärkiä.

leikkuunestettä suositellaan näiden leikkurien käyttöön pidentämiseksi.

Työkenneltäessä viistoilla ja pystysuorilla pinnoilla tai pään yläpuolella magneettinen poranpylväs tulee varmistaa mukana toimitetulla turvavyöllä.

Turvavyö tulee asentaa niin, että poranpylväs liukkuu käyttäjätä pois päin magneetin irrotaessa.

Tarkasta ennen jokaista käyttöä, ettei turvavyö ole vahingoittunut tai haurastunut. Viallista turvavyötä ei saa käyttää!

Käytetty työkalu saattaa kumeta käytön aikana.

VAROITUS! Palovamman vaara

- työkalua vaihdettaessa
- laitetta pois laskettaessa

Älä irrota leikkuria poistamatta ensin aihiot. Aihio voi lentää yllättäen ulos.

AUTOMAATTIPYSÄYTYS

Auto-Stop-toiminto sammuttaa koneen automaattisesti, jos magneettiin kohdistuu liian voimakas äkinäinen kiertovoima. Etsi automaattipysäytyksen syy ja poista se noudattaen turvallisuusmääräyksiä.

Mahdollisia syitä saattavat olla:

- Työstettävän materiaalin läpimeno
- Sähkötyökalun ylikuormitus liian suurella liikkeellä
- Epäpuhdas magneettipinta

Sammuta kone ja kytkte se jälleen päälle.

UDELLEENKÄYNNISTYSSUOJA

Päällekytketty kone ei käynnisty uudelleen sähkökatkon jälkeen. Työn jatkamiseksi kone täytyy sammuttaa ja käynnistää jälleen.

MOOTTORI / SOLENOIDILUKKOMALLEJA

Moottorin ja magneetin keskinäislukitus on toiminto, joka estää virran kytkeytymisen poran moottoriin, jos magneettia ei ole aktivoitu. Moottorin ja magneetin keskinäislukitus estää myös magneetin kytkeytymisen pois päältä moottorin toimiessa.

VERKKOLIITÄNTÄ

Koneen saa liittää vain 1-vaiheiseen vaihtovirtaan tyyppikilven mukaiselle jännitteelle. Koneen saa liittää vain maadoituskoskettimella varustettuihin pistorasioihin.

Käytä vikavirtasuojakytkintä (FI, RCD, PRCD).

Varmista, että kone on sammutettu ennen kytkemistä sähköverkkoon.

Pidä sähköjohto pois koneen käyttöalueelta. Siirrä se aina taakseen.

HUOLTO

Tarkasta ennen jokaista käyttöä, ettei laitteessa, liitäntäjohdossa, jatkojohdossa, turvavyössä ja pistokkeessa ole vaurioita tai haurastumista. Anna ainoastaan alan ammattihenkilön korjata vialliset osat.

Pidä moottorin ilmanottoaukoku puhtaina.

Voitele siloiin tällöin hammastangon hampaat muutamalla öljytipalla. Syöttövarren laakereita ei pidä voidella. Voitele kelkan liukupintaa rasvalla (Molykote).

Pöly ja lika on poistettava laitteesta. Kahva on pidettävä puhtaana, kuivana ja öljyttömänä tai rasvattomana. Puhdistusaineet ja liuotimet vahingoittava muoveja ja muita eristäviä osia, minkä vuoksi laite puhdistetaan vain miedolla saippualla ja kostealla liinalla. Älä käytä koskaan syttyviä liuottimia laitteen lähellä.

Käytä ainoastaan Milwaukee lisätarvikkeita ja Milwaukee varaosia. Mikäli jokin komponentti, jota ei ole kuvailtu, tarvitsee vaihtoa ota yhteys johonkin Milwaukee palvelupisteistä (kts. listamme takuuhoitoliikkeiden/ palvelupisteiden osoitteista)

Tarpeen vaatiessa voit pyytää lähettämään laitteen kokoonpanopiirustuksen ilmoittamalla arvokilven numeron seuraavasta osoitteesta: Techtronic Industries GmbH, Max-Eyth-Straße 10, 71364 Winnenden, Germany.

TODISTUS CE-STANDARDINMUKAISUUDESTA

Vakuutamme täten olevamme yksin vastuussa siitä, että kohdassa "Tekniset tiedot" kuvattu tuote vastaa kaikkia direktiivien merkityksellisiä säädöksiä

2011/65/EU (RoHS), 2006/42/EY,
2004/108/EY (asti 19 Huhtikuu 2016),
2014/30/EU (alkaen 20 Huhtikuu 2016)
ja seuraavia yhdenmukaistettuja standardeja

EN 55014-1:2006+A1:2009+A2:2011
EN 55014-2:1997 + A1:2001 + A2:2008
EN 61000-3-2:2014
EN 61000-3-3:2013
EN 50581:2012
sekä standardeja
EN 62841-1:2015
on käytetty..



Winnenden, 2015-11-25

Alexander Krug / Managing Director
Valtuutettu kokoomaan tekniset dokumentit.

Techtronic Industries GmbH

Max-Eyth-Straße 10, 71364 Winnenden, Germany

SYMBOLIT



HUOMIO! VAROITUS! VAARA!



Irrota aina pistotulppa seinäkoskettimesta ennen koneeseen tehtäviä toimempiteitä.



Työskentele porantelinettä pään yläpuolella käyttäessäsi aina toisen henkilön kanssa. Sähkötyökalua tulee aina kantaa kaksin, jotta vältetään selkävammat.



Lue käyttöohjeet huolellisesti, ennen koneen käynnistämistä.



Käytä laitteella työskennellessäsi aina suojalaseja.



Käytä kuulosuojaimia!



Käytä suojakäsineitä!



VAARA! Tapaturmavaaran vähentämiseksi kädet, rievut, vaatteet, jne., on aina pidettävä poissa liikkuvista osista ja lastuista. Älä yritä poistaa lastuja leikkurin pyöriessä. Lastut ovat teräviä ja voivat vetää esineitä liikkuviin osiin.



Metalliosien tai kellojen pito on kielletty.



Henkilö, jolla on sydämentahdistin tai jokin muu lääkeimplantti ei saa käyttää tätä porantelinettä.



Kirjanpitoarvo magneettisten tai sähköisten viestimien kielletty.



Älä jätä konetta alttiiksi sateelle.



Sydänreikäpora



Massiivipora



Sähkölaitteita ei saa hävittää yhdessä kotitalousjätteiden kanssa. Sähkö- ja elektroniset laitteet tulee kerätä erikseen ja toimittaa kierrätysliikkeeseen ympäristöstävällisistä hävittämistä varten. Pyydä paikallisilta viranomaisilta tai alan kauppiailtasi tarkemmat tiedot kierrätyspisteistä ja keräyspaikoista.



Suojaluokan II sähkötyökalu. Sähkötyökalu, jonka sähköiskunsuojaus ei ole riippuvainen ainoastaan peruseristyksestä, vaan myös siitä, että käytetään lisäturvatoimia, kuten kaksinkertaista eristystä tai vahvistettua eristystä. Laitteessa ei ole suojajohtimen liittämiseen tarvittavia varusteita.



CE-merkki



UkrSEPRO -vaatimustenmukaisuusmerkki.



EurAsian-vaatimustenmukaisuusmerkki.



ΤΕΧΝΙΚΑ ΣΤΟΙΧΕΙΑ Μαγνητικό πυρήνα μηχανήμα διάτρησης	MDE 41	MDP 41
Αριθμός παραγωγής	4523 56 02... 4523 50 02... ... 000001-999999	4523 43 02... ... 000001-999999
Ονομαστική ισχύς	1200 W	1200 W
Αριθμός στροφών χωρίς φορτίο 1η ταχύτητα Αριθμός στροφών χωρίς φορτίο 2η ταχύτητα	475 min ⁻¹ 730 min ⁻¹	475 min ⁻¹ 730 min ⁻¹
Ύψος διάδρομής	146 mm	146 mm
Μέγ. δύναμη μαγνήτη	9,93 kN	8,89 kN
Οπή-θ μεγ. με τρυπάνι οπής πυρήνα	41 mm	41 mm
Οπή-θ μεγ. με πλήρες τρυπάνι	13 mm	13 mm
Υποδοχή άξονα	19 mm Weldon	19 mm Weldon
Βάρους σύμφωνα με τη διαδικασία EPTA 01/2003	13,5 kg	14 kg
Πληροφορίες θορύβου Τιμές μέτρησης εξακριβωμένες κατά EN 61029. Η σύφωνα με την καμπύλη A εκτιμηθείσα στάθμη θορύβου του μηχανήματος αναφέρεται σε:		
Στάθμη ηχητικής πίεσης (Ανασφάλεια K=3dB(A))	95,0 dB(A)	95,0 dB(A)
Στάθμη ηχητικής ισχύος (Ανασφάλεια K=3dB(A))	106,0 dB(A)	106,0 dB(A)
Φοράτε προστασία ακοής (ωτασπίδες)!		
Πληροφορίες δονήσεων Υλικές τιμές κραδασμών (άθροισμα διανυσμάτων τριών διευθύνσεων) εξακριβώθηκαν σύμφωνα με τα πρότυπα EN 61029.		
Τιμή εκπομπής δονήσεων a _h Ανασφάλεια K=	2,17 m/s ² 1,5 m/s ²	2,17 m/s ² 1,5 m/s ²

ΠΡΕΙΔΟΠΟΙΗΣΗ!

Το αναφερόμενο σ' αυτές τις οδηγίες επίπεδο δονήσεων έχει μετρηθεί με μια τυποποιημένη σύμφωνα με το EN 61029 μέθοδο μέτρησης και μπορεί να χρησιμοποιηθεί για τη σύγκριση των ηλεκτρικών εργαλείων μεταξύ τους. Αυτό είναι επίσης κατάλληλο για μια προσωρινή εκτίμηση της επιβάρυνση των δονήσεων.

Το αναφερόμενο επίπεδο δονήσεων αντιπροσωπεύει τις κύριες χρήσεις του ηλεκτρικού εργαλείου. Εάν όμως το ηλεκτρικό χρησιμοποιείται σε άλλες χρήσεις, με διαφορετικά εργαλεία εφαρμογής ή ανεπαρκή συντήρηση, μπορεί να υπάρξει απόκλιση του επιπέδου δονήσεων. Αυτό μπορεί να αυξήσει σημαντικά την επιβάρυνση των δονήσεων για τη συνολική διάρκεια της εργασίας

Για μια ακριβή εκτίμηση της επιβάρυνσης των δονήσεων οφείλουν επίσης να λαμβάνονται υπόψη οι χρόνοι, στους οποίους η συσκευή είναι απενεργοποιημένη ή είναι μεν ενεργοποιημένη αλλά δεν χρησιμοποιείται πραγματικά. Αυτό μπορεί να μειώσει σημαντικά την επιβάρυνση των δονήσεων για τη συνολική διάρκεια της εργασίας.

Καθορίζετε πρόσθετα μέτρα ασφαλείας για την προστασία του χειριστή από την επίδραση των δονήσεων όπως για παράδειγμα: Συντήρηση του ηλεκτρικού εργαλείου και των εργαλείων εφαρμογής, διατηρείτε ζεστά τα χέρια, οργάνωση των διαδικασιών εργασίας.

ΠΡΕΙΔΟΠΟΙΗΣΗ!

Διαβάστε όλες τις Υποδείξεις ασφαλείας και τις Οδηγίες.

Αμελείες κατά την τήρηση των προειδοποιητικών υποδείξεων μπορεί να προκαλέσουν ηλεκτροπληξία, κίνδυνο πυρκαγιάς ή/και σοβαρούς τραυματισμούς.

Φυλάξτε όλες τις προειδοποιητικές υποδείξεις και οδηγίες για κάθε μελλοντική χρήση.

ΕΙΔΙΚΕΣ ΥΠΟΔΕΙΞΕΙΣ ΑΣΦΑΛΕΙΑΣ ΜΑΓΝΗΤΙΚΟ ΠΥΡΗΝΑ ΜΗΧΑΝΗΜΑ ΔΙΑΤΡΗΣΗΣ

Χρησιμοποιείτε οπωσδήποτε τη διάταξη προστασίας της μηχανής. Χρησιμοποιείτε προστατευτικό εξοπλισμό. Κατά την εργασία με τη μηχανή φοράτε πάντα προστατευτικά γυαλιά. Συνιστούμε επίσης προστατευτική ενδυμασία όπως επίσης μάσκα προστασίας αναπνοής, προστατευτικά γάντια, σταθερά και ασφαλή στην ολίσθηση υποδήματα, κράνος και ωτασπίδες.

Μην απλώνετε τα χέρια σας στην επικίνδυνη περιοχή της μηχανής όταν είναι σε λειτουργία.

Τα γράζια ή οι σκληρές δεν επιτρέπεται να απομακρύνονται όσο η μηχανή βρισκείται σε λειτουργία.

Μη χρησιμοποιείτε χαλασμένα εργαλεία

Σταθεροποιείτε ή σφίγγετε σίγουρα τα επεξεργαζόμενα κομμάτια. Για να μειώσετε τον κίνδυνο τραυματισμού, μην κρατάτε με το χέρι το υλικό που επεξεργάζεστε.

ΠΡΕΙΔΟΠΟΙΗΣΗ! Υγρές συνδέσεις μπορούν να προκαλέσουν ηλεκτροπληξία.

Μη χρησιμοποιείτε υγρό κοπτήρα όταν εργάζεστε σε ύψος πάνω από το κεφάλι σας ή σε κάποια θέση όπου το υγρό θα μπορούσε να υπεισέλθει στο μοτέρ ή στην υποδοχή του διακόπτη.

Λόγω του κινδύνου βραχυκυκλώματος δεν επιτρέπεται να μπαίνουν μεταλλικά αντικείμενα στις σχισμές εξερισμού.

Χρήση σύμφωνα με το σκοπο προορισμού

Ο ορθοστάτης διάτρησης μπορεί να χρησιμοποιηθεί για τη διάνοιξη μεγάλων πόνων σε χάλυβα και άλλα μέταλλα που περιέχουν οξείδη.

ΥΠΟΔΕΙΞΕΙΣ ΕΡΓΑΣΙΑΣ

MDP 41: Το ηλεκτρομαγνητικό τρυπάνι πρέσα προσαρμόζεται με μαγνητική δύναμη σε σιδερένιο υλικό πάχους 6,35 mm ή μεγαλύτερο. Μην το χρησιμοποιείτε σε υλικά λεπτότερα από 6,35 mm. Η μαγνητική βάση ΔΕΝ ΘΑ ΠΑΤΗΣΕΙ σε μη μαγνητικούς τύπους ανοξείδωτου χάλυβα.

MDE 41: Το ηλεκτρομαγνητικό τρυπάνι πρέσα προσαρμόζεται με μαγνητική δύναμη σε σιδερένιο υλικό πάχους 9,5 mm ή μεγαλύτερο. Μην το χρησιμοποιείτε σε υλικά λεπτότερα από 9,5 mm. Η μαγνητική βάση ΔΕΝ ΘΑ ΠΑΤΗΣΕΙ σε μη μαγνητικούς τύπους ανοξείδωτου χάλυβα.

Το υπέδαφος κάτω από τον ορθοστάτη δραπεύου πρέπει να είναι καθαρό, σταθερό, ίσιο, στεγνό και χωρίς τρύπες και βενίκια.

Δεν εκθέτετε τον ορθοστάτη διάτρησης σε βροχή και δεν τον χρησιμοποιείτε σε βρεγμένους, υγρούς ή επικίνδυνους για έκρηξη χώρους.

Διατηρείτε συνεχή πίεση καθ' όλη τη διάρκεια της λειτουργίας για να αποφυγείτε το πέσιμο ριμισμάτων και γρεζιών κάτω από την άκρη του κοπτήρα. Υπολείμματα κοπής κάτω από την άκρη του κοπτήρα μπορούν να κάνουν δύσκολη ή αδύνατη την κοπή.

ΠΡΟΕΙΔΟΠΟΙΗΣΗ!

Υπερβολική δύναμη θα αποσπεί το μαγνήτη.

Αποφεύγετε την επαφή με την αιχμηρή άκρη του κοπτήρα. Επιθεωρείτε περιοδικά την αιχμηρή άκρη του κοπτήρα για χαλαρά ή φθαρμένα άκρα. Αποφεύγετε την επαφή με την αιχμηρή άκρη του κοπτήρα. Επιθεωρείτε περιοδικά την αιχμηρή άκρη του κοπτήρα για χαλαρά ή φθαρμένα άκρα. Συνιστάται η χρήση υγρού κοπτήρα για μακροζωία των κοπτήρων.

Κατά την εργασία σε λοξές και κάθετες επιφάνειες και πάνω από το κεφάλι πρέπει να ασφαλιζέται ο μαγνητικός ορθοστάτης δραπεύου με τη ζώνη που παραδίδεται μαζί.

Η ζώνη ασφαλείας πρέπει να τοποθετείται έτσι, ώστε σε βλάβη του μαγνήτη να κινείται ο ορθοστάτης δραπεύου μακριά από το χειριστή.

Πριν από κάθε χρήση να ελέγχετε τη φθορά και γήρανση της ζώνης ασφαλείας. Μια ελαττωματική ζώνη ασφαλείας να μη χρησιμοποιείται!

Η θερμοκρασία της αριδίας μπορεί να φτάσει σε υψηλά επίπεδα κατά τη λειτουργία.

ΠΡΟΕΙΔΟΠΟΙΗΣΗ! Κίνδυνος εγκαύματος

κατά την αλλαγή εργαλείου (αριδίας)

κατά την απόθεση της συσκευής

Μην αφαιρέσετε τον κοπτήρα αν δεν αφαιρέσετε το μεταλλικό τεμάχιο. Το μεταλλικό τεμάχιο μπορεί να πεταχτεί απροσδόκτα.

ΑΥΤΟΜΑΤΟ ΣΤΟΠ

Με το AUTO STOP απενεργοποιείται το μηχανήμα αυτόματα σε περίπτωση μιας πολύ υψηλής, απότομης δύναμης περιστροφής στο μαγνήτη. Εξακριβώστε και αποκαταστήστε το αίτιο του αυτόματου στοπ, λαμβάνοντας υπόψη τις υποδείξεις ασφαλείας.

Πιθανές αιτίες γι' αυτό θα μπορούσαν να είναι:

- Θραύση του επεξεργαζόμενου υλικού
- Υπερφόρτιση του ηλεκτρικού εργαλείου μέσω υψηλής πρόωσης
- Ακαθάρτη επιφάνεια μαγνήτη

Απενεργοποίηση και επανενεργοποίηση του μηχανήματος

ΠΡΟΣΤΑΣΙΑ ΕΠΑΝΕΚΚΙΝΗΣΗΣ

Σε περίπτωση πτώσης της ηλεκτρικής τάσης τη στιγμή που η συσκευή ήταν σε λειτουργία, η συσκευή δεν τίθεται πάλι σε λειτουργία με την επάνοδο της τάσης. Για να συνεχίσετε την εργασία σας κλείστε και ανάψτε πάλι τον διακόπτη.

ΚΛΕΙΔΑΡΙΑ ΜΟΤΟΡ / ΗΛΕΚΤΡΟΜΑΓΝΗΤΙΚΗ ΒΑΛΒΙΔΑ

Ο συμπλέκτης ασφαλείας μοτέρ/μαγνήτη είναι ένα χαρακτηριστικό που εμποδίζει την παροχή ρεύματος στο μοτέρ του τρυπανιού αν ο μαγνήτης δεν είναι ενεργοποιημένος. Ο συμπλέκτης ασφαλείας μοτέρ/μαγνήτη εμποδίζει επίσης την ενεργοποίηση του μαγνήτη όταν το μοτέρ είναι σε λειτουργία.

ΣΥΝΔΕΣΗ ΣΤΟ ΗΛΕΚΤΡΙΚΟ ΔΙΚΤΥΟ

Συνδέετε τη συσκευή μόνο σε μονοφασικό εναλλασσόμενο ρεύμα και μόνο στην τάση δικτύου που αναφέρεται στην πινακίδα ισχύος. Συνδέετε τη συσκευή μόνο σε πρίζες με επαφή προστασίας (σούκο).

Συνδέετε προηγουμένως ένα διακόπτη προστασίας έναντι ρεύματος διαφυγής (FI, RCD, PRCD).

Συνδέετε τη μηχανή στην πρίζα μόνο αν ο διακόπτης είναι στη θέση απενεργοποίησης.

Κρατάτε το καλωδίο σύνδεσης πάντοτε μακριά από την περιοχή δράσης της μηχανής. Περνάτε το καλωδίο πάντοτε πίσω από τη μηχανή.

ΣΥΝΤΗΡΗΣΗ

Πριν τη χρήση ελέγξτε τη φθορά και γήρανση του εργαλείου, του καλωδίου σύνδεσης, του καλωδίου προέκτασης, της ζώνης ασφαλείας και του βύσματος. Να αφήνετε να επισκευάζονται τα φθαρμένα εξαρτήματα από έναν ειδικό.

Διατηρείτε πάντοτε τις σχισμές εξερισμού της μηχανής καθαρές.

Βάζετε επάνω στην οδόντωση της οδοντωτής ράβδου κατά διαστήματα λίγες σταγόνες λάδι. Τα έδρανα του άξονα πρόωσης διαβέθουν αυτολίπανση και δεν επιτρέπεται να λιπανθούν. Λιπαίνεται την επιφάνεια ολίσθησης του ολισθητήρα με γράσο γραφίτη (Molykote).

Αφαιρείτε πάντα τη σκόνη και τη βρομιά από τη συσκευή. Διατηρείτε τη χειρολαβή καθαρή, στεγνή και χωρίς λάδια και γράσα. Προϊόντα καθαρισμού και διαλύτες βλάπτουν τα συνθετικά υλικά και άλλα μονωτικά εξαρτήματα, και το λόγο αυτό καθαρίζετε τη συσκευή με ήπιο σαπούνι και ένα υγρό πανί. Ποτέ μη χρησιμοποιείτε εύφλεκτους διαλύτες κοντά στη συσκευή.

Χρησιμοποιείτε μόνο αξεσουάρ Milwaukee και ανταλλακτικά Milwaukee. Εξαρτήματα, που η αλλαγή τους δεν περιγράφεται, αντικαθίστανται σε μια τεχνική υποστήριξη της Milwaukee (βλέπε φυλλάδιο εγγύηση/ διευθύνσεις τεχνικής υποστήριξης).

Όταν χρειάζεται, μπορείτε να ζητήσετε ένα σχέδιο συναρμολόγησης της συσκευής, δίνοντας τον τύπο της μηχανής και αριθμό στην πινακίδα ισχύος, από το κέντρο σέρβις ή απευθείας από τη φίρμα Techtron Industries GmbH, Max-Eyth-Straße 10, 71364 Winnenden, Germany.



EL

ΔΗΛΩΣΗ ΠΙΣΤΟΤΗΤΑΣ ΕΚ

Δηλώνουμε με αποκλειστική μας ευθύνη, ότι το προϊόν που περιγράφεται στα «Τεχνικά Χαρακτηριστικά» συμμορφώνεται με όλες τις σχετικές διατάξεις των οδηγιών 2011/65/EU (RoHS), 2006/42/EK, 2004/108/EK (μέχρι την 19 Απριλίου 2016), 2014/30/EU (από την 20 Απριλίου 2016) και έχουν εφαρμοστεί τα ακόλουθα εναρμονισμένα πρότυπα EN 55014-1:2006+A1:2009+A2:2011 EN 55014-2:1997 + A1:2001 + A2:2008 EN 61000-3-2:2014 EN 61000-3-3:2013 EN 50581:2012 όπως και οι προδιαγραφές EN 62841-1:2015



Winnenden, 2015-11-25

Alexander Krug / Managing Director
Εξουσιοδοτημένος να συντάξει τον τεχνικό φάκελο.
Techtronic Industries GmbH
Max-Eyth-Strasse 10, 71364 Winnenden, Germany

ΣΥΜΒΟΛΑ



ΠΡΟΣΟΧΗ! ΠΡΟΕΙΔΟΠΟΙΗΣΗ! ΚΙΝΔΥΝΟΣ!



Πριν από κάθε εργασία στη μηχανή τραβάτε το φως από την πρίζα.



Σε περίπτωση που χρειαστεί να κάνετε εργασίες κρατώντας το δράπανο πάνω από το κεφάλι σας να έχετε πάντα ένα δεύτερο άτομο κοντά σας. Να κουβαλάτε το το εργαλείο πάντα δύο-δύο για να αποφύγετε τυχόν τραυματισμούς στην πλάτη.



Παρακαλώ διαβάστε σχολαστικά τις οδηγίες χρήσης πριν από την έναρξη λειτουργίας.



Στις εργασίες με τη μηχανή φοράτε πάντοτε προστατευτικά γυαλιά.



Φοράτε προστασία ακοής (ωτασπίδες)!



Να φοράτε προστατευτικά γάντια!



ΚΙΝΔΥΝΟΣ! Για να μειώσετε τον κίνδυνο τραυματισμού σας, κρατάτε πάντοτε τα χέρια σας, πανιά, ρούχα κλπ. μακριά από κινούμενα εξαρτήματα και ρινίσματα. Μην προσπαθήσετε να αφαιρέσετε τα ρινίσματα ενώ γυρίζει ο κοπτήρας. Τα ρινίσματα είναι αιχμηρά και μπορούν να τραβήξουν αντικείμενα στα κινούμενα εξαρτήματα.



Απαγορεύεται να έχετε επάνω σας μεταλλικά αντικείμενα και ρολόγια.



Άτομα με βηματοδότες ή άλλα ιατρικά εμφυτεύματα δεν επιτρέπεται να χρησιμοποιήσουν αυτή τη βάση δρανάπου.



Εκτέλεση μαγνητικά ή ηλεκτρονικά μέσα απαγορεύεται.



Η μηχανή να μην εκτίθεται σε βροχή.



Σωληνοειδές τρυπάνι (ποτηροτρυπάνο)



Συμπαγές τρυπάνι



Ηλεκτρικά μηχανήματα δεν επιτρέπεται να απορρίπτονται μαζί με τα οικιακά απορρίμματα. Ηλεκτρικά και ηλεκτρονικά μηχανήματα συλλέγονται ξεχωριστά και παραδίδονται προς ανακύκλωση με τρόπο φιλικό προς το περιβάλλον σε επιχείρηση επεξεργασίας απορριμμάτων. Ενημερωθείτε από τις τοπικές υπηρεσίες ή από ειδικευμένους εμπόρους σχετικά με κέντρα ανακύκλωσης και συλλογής απορριμμάτων.



Ηλεκτρικό εργαλείο κατηγορίας ασφάλειας II. Ηλεκτρικό εργαλείο στο οποίο η προστασία από ηλεκτροπληξία δεν εξαρτάται μόνο από την βασική μόνωση αλλά και από συμπληρωματικά μέτρα ασφάλειας όπως διπλή ή ενισχυμένη μόνωση. Δεν υπάρχει εξοπλισμός για να συνδεθεί με την γείωση.



Σήμα συμμόρφωσης CE



UKRSEPRO σήμα πιστότητας.

TR 066



EurAsian σήμα πιστότητας.

TEKNİK VERİLER Manyetik karot makinesi	MDE 41	MDP 41
Üretim numarası	4523 56 02... 4523 50 02... ... 000001-999999	4523 43 02... ... 000001-999999
Giriş gücü	1200 W	1200 W
Boştaki devir sayısı 1. Vites Boştaki devir sayısı 2. Vites	475 min ⁻¹ 730 min ⁻¹	475 min ⁻¹ 730 min ⁻¹
Strok yüksekliği	146 mm	146 mm
Maksimum mknatis kuvveti	9,93 kN	8,89 kN
Göbekli delme uçlarıyla maksimum delme çapı	41 mm	41 mm
Tam helezonik uçlarla maksimum delme çapı	13 mm	13 mm
Mil girişi	19 mm Weldon	19 mm Weldon
Ağırlığı ise EPTA-üretici 01/2003'e göre	13,5 kg	14 kg
Gürültü bilgileri Ölçüm değerleri EN 61029'e göre belirlenmektedir. Aletin, frekansa bağımlı uluslararası ses basıncı seviyesi değerlendirme eğrisi A'ya göre tipik gürültü seviyesi:		
Ses basıncı seviyesi (Tolerans K=3dB(A)) Akustik kapasite seviyesi (Tolerans K=3dB(A))	95,0 dB(A) 106,0 dB(A)	95,0 dB(A) 106,0 dB(A)
Koruyucu kulaklık kullanın!		
Vibrasyon bilgileri Toplam titreşim değeri (üç yönün vektör toplamı) EN 61029'e göre belirlenmektedir:		
titreşim emisyon değeri a _n Tolerans K=	2,17 m/s ² 1,5 m/s ²	2,17 m/s ² 1,5 m/s ²



UYARI!

Bu talimatlarda belirtilen titreşim seviyesi, EN 61029 standardına uygun bir ölçme metodu ile ölçülmüştür ve elektrikli el aletleri birbiriyle karşılaştırmak için kullanılabilir. Ölçüm sonuçları ayrıca titreşim yükünün geçici değerlendirmesi için de uygundur.

Belirtilen titreşim seviyesi, elektrikli el aletinin genel uygulamaları için geçerlidir. Ancak elektrikli el aleti başka uygulamalar için, farklı eklenti parçalarıyla ya da yetersiz bakım koşullarında kullanılırsa, titreşim seviyesi farklılık gösterebilir. Bu durumda, titreşim yükü toplam çalışma zaman aralığı içerisinde belirgin ölçüde yükselir.

Titreşim yükünün tam bir değerlendirmesi için ayrıca cihazın kapalı olduğu süreler ve cihazın çalışır durumda olduğu, ancak gerçek kullanımda bulunmadığı süreler de dikkate alınmalıdır. Böylelikle, toplam çalışma zamanı aralığı boyunca meydana gelen titreşim yükü belirgin ölçüde azaltılabilir.

Kullanıcıyı titreşimlerin etkisinden korumak üzere, örneğin elektrikli el aletlerinin ve eklenti parçalarının bakımı, ellerin sıcak tutulması ve iş akışlarının organizasyonu gibi ek güvenlik tedbirleri belirleyiniz.

UYARI!

Güvenlikle ilgili bütün açıklamaları. Açıklanan uyarılara ve talimat hükümlerine uyulmadığı takdirde elektrik çarpmalarına, yangınlara ve/veya ağır yaralanmalara neden olunabilir.
Bütün uyarıları ve talimat hükümlerini ileride kullanmak üzere saklayın.

GÜVENLİĞİNİZ İÇİN TALİMATLAR MANYETİK KAROT MAKİNESİ

Aletin koruyucu donanımını mutlaka kullanın. Koruma teçhizatı kullanın. Makinada çalışırken devamlı surette koruyucu gözlük takın. Koruyucu elbise ve tozlardan korunma maskesi, emniyet eldivenleri ve sağlam ve kaymaya mukavim ayakkabı giyin. Başlık ve kulaklık tavsiye edilir.

Aletin tehlikeli olabilecek bölümlerini tutmayın.

Alet çalışır durumda iken talaş ve kırpıntıları temizlemeye çalışmayın.

Hasarlı uçları kullanmayın.

İş parçalarını güvenli biçimde tespit edin veya bir tertibatla sıkın. Yaralanma tehlikesini azaltmak için, çalışma malzemesini elle tutmayın.

UYARI! Islak bağımlılar elektrik şoku tehlikesi oluşturmaz. Motor veya anahtar muhafazasının içine kesme sıvısının girmesine olanak tanıyacak bağ seviyesinden yüksekteki veya diğer pozisyonlarda kesme sıvısını kullanmayın.

Kısa devre tehlikesi ortaya çıkacağından metal parçaların havalandırma aralıklarına girmemesi gerekir.

KULLANIM

Delme sehpa çelik ve diğer demir içerikli metallerdeki büyük çaplı deliklerin açılmasında kullanılabilir.

ÇALIŞMA AÇIKLAMALARI

MDP 41: Elektromanyetik matkap tezgahı, 6,35 mm veya daha kalın demirli malzemeleri manyetik olarak tutar. 6,35 mm'den daha ince malzeme kullanmayın. Manyetik taban, manyetik olmayan paslanmaz çelik türlerini TUTMAZ.

MDE 41: Elektromanyetik matkap tezgahı, 9,5 mm veya daha kalın demirli malzemeleri manyetik olarak tutar. 9,5 mm'den daha ince malzeme kullanmayın. Manyetik taban, manyetik olmayan paslanmaz çelik türlerini TUTMAZ.

Matkap tezgahı altındaki zemin temiz, sağlam, düz, kuru ve deliksiz ve cilasız olmalıdır.

Delme sehasını yağmur altında bırakmayın ve ıslak, nemli veya patlayıcı maddelerin bulunduğu yerlerde kullanmayın.

Yonga ve kenar pürüzlerinin/çapakların kesme kenarlarının altına düşmesini önlemek için, tüm kesme işlemi boyunca sabit bir basınç uygulayın. Keskinin altına çapak olması, kesme işlemi zor, hatta imkansız hale getirebilir.

UYARI!

Abyr kuvvet uygulanması, myknatıyın serbest kalmasına yol açacaktır.

Keskinin uçlarıyla temas etmekten kaçınınız. Keski uçlarını periyodik olarak kontrol edip, gevşek veya hasarlı olup olmadıklarını denetleyin. Keskinin uçlarıyla temas etmekten kaçınınız. Keski uçlarını periyodik olarak kontrol edip, gevşek veya hasarlı olup olmadıklarını denetleyin.

Bu keskinin uzun ömürlü olması için kesme sıvısının kullanılması tavsiye edilir.

Eğri ve dik yüzeylerde ve baş seviyesi üzerindeki çalışmalarda manyetik matkap tezgahı beraberinde teslim edilen kemer ile emniyete alınmalıdır.

Emniyet kemeri, matkap tezgahı, mknatısın devre dışı kalması durumunda kullanıcıdan uzaklaşacak şekilde tutturulmuş olmalıdır.

Emniyet kemerini her kullanımdan önce hasarlar ve eskime yönünden kontrol ediniz. Arızalı emniyet kemerini kullanmayınız!

Uca yerleştirilen takım kullanım sırasında ısınabilir.

UYARI! Yanma tehlikesi

- takım değiştirme sırasında
- aletin yere bırakılması sırasında

Kama çykarylmdyğca keskiyi çykarmayınız. Kama beklenmedik bir şekilde fırlayabilir.

AUTO-STOP

AUTO STOP fonksiyonu ile mknatıs üzerine aşırı ani dönme kuvvetinde makine otomatik olarak kapatılmaktadır. Otomatik stop nedenini tespit edip, güvenlik uyarılarına dikkat ederek gidiniz.

Olası nedenler şunlar olabilir:

- İşlenen malzemenin kırılması
- Besleme oranının çok yüksek olmasından dolayı elektrikli alete aşırı yüklenmesi
- Kirli manyetik yüzey

Makineyi kapatıp tekrar çalıştırınız

TEKRAR ÇALIŞTIRMADA KORUMA

Çalışmakta olan makine, gerilim kesintisinden sonra tekrar çalışmaya başlamaz. Çalışmaya devam etmek için makineyi kapatıp tekrar açınız.

MOTOR/MYKNATYS

Motor/myknatıs kenetlenmesi, myknatıs enerjilenmemişse matkap motoruna elektrik gücü uygulanmasını önleyen bir özelliktir. Motor/myknatıs kenetlenmesi ayrıca, motor çalışırken myknatıs enerjisinin boşalmasının önler.

ŞEBEKE BAĞLANTISI

Aleti sadece tek fazlı alternatif akıma ve tip etiketi üzerinde belirtilen şebeke gerilimine bağlayın. Sadece koruyucu kontaklı prize bağlayın.

Hatalı akım koruma şalterini (FI, RCD, PRCD) devreye sokun.

Aleti sadece kapalı iken prize takın.

Bağlantı kablosunu aletten uzak tutun. Kablo daima aletin arkasından olmalıdır ve toplanmamalıdır.

BAKIM

Her kullanımdan önce cihazı, bağlantı kablosunu, emniyet kemerini ve fişi hasarlar ve eskime yönünden kontrol ediniz. Hasarları parçaları sadece bir uzmana tamir ettiriniz.

Aletin havalandırma aralıklarını daima temiz tutun.

Disli çubugun dislerine zaman zaman birkaç damla yağ damlatın.

Basma milinin yatığı kendinden yağlamalı olup, kullanıcı tarafından yağlanmamalıdır. Kızgın kayıcı alanlarını Molykote yağ ile yağlayın.

Cihazı her zaman toz ve kirlere temizleyin. Tutacak kolunu temiz, kuru, sıvı ve katı yağlardan arındırılmış bir şekilde muhafaza edin. Temizlik ve eriyik maddeleri, plastik maddeler ve diğer izole parçaları için zararlıdır, bu nedenle sadece yumuşak bir sabun ve nemli bez ile cihazı temizleyin. Cihazın yakınında hiçbir zaman yanıcı eriyik maddeleri bulundurmayın.

Sadece Milwaukee aksesuarı ve yedek parçası kullanın. Nasıl değiştirileceği açıklanmamış olan yapı parçalarını bir Milwaukee müşteri servisinde değiştirin (Garanti ve servis adresi broşürüne dikkat edin).

Gerektiği takdirde aletin dağılık görünüş şeması, alet tipinin ve tip etiketi üzerindeki sayıyı bildirilmesi koşuluyla müşteri servisinden veya doğrudan Techtronic Industries GmbH, Max-Eyth-Straße 10, 71364 Winnenden, Germany adresinden istenebilir.

CE UYGUNLUK BEYANI

"Teknik veriler" başlığı altında tanımlanan ürünün, sayılı direktiflerdeki tüm hükümleri

2011/65/EU (RoHS), 2006/42/EC,
2004/108/EC (kadar 19 Nisan 2016),
2014/30/EU (itibaren 20 Nisan 2016)
uyumlaştırılmış standartları

EN 55014-1-2:2006+A1:2009+A2:2011
EN 55014-2:1997 + A1:2001 + A2:2008
EN 61000-3-2:2014
EN 61000-3-3:2013
EN 50581:2012
standartları yerine getirdiğini beyan ederiz.
EN 62841-1:2015



Winnenden, 2015-11-25

Alexander Krug

Alexander Krug / Managing Director
Teknik evrakları hazırlamakla görevlendirilmiştir.

Techtronic Industries GmbH
Max-Eyth-Straße 10, 71364 Winnenden, Germany

SEMBOLLER



DİKKAT! UYARI! TEHLİKE!



Aletin kendinde bir çalışma yapmadan önce fişi prizden çekin.



Başınızın üzerindeki seviyedeki çalışmalarda matkap tezgâhını daima ikinci bir kişiyle birlikte taşıyınız. Sırtta yaralanmaları önlemek için elektrikli aleti daima ikinci bir kişiyle birlikte taşıyınız.



Lütfen aleti çalıştırmadan önce kullanma kılavuzunu dikkatli biçimde okuyun.



Aletle çalışırken daima koruyucu gözlük kullanın.



Koruyucu kulaklık kullanın!



Koruyucu eldivenlerinizi takınız!



TEHLİKE! Yaralanma tehlikesini azaltmak için, ellerinizi ve bez, giysi vs.yi hareket eden parçalardan ve yongalardan daima uzak tutun. Keski dönerken yongaları temizlemeye tebebbüs etmeyin. Yongalar keskin olup, cisimleri hareket eden parçalara dödü çekebilirler.



Metal parçalar veya saatler taşımak yasaktır.



Kalp pili taşıyan kişiler veya diğer tıbbi implantı bulunan kişiler bu delme sehпасını kullanamaz.



Yasak manyetik veya elektronik ortamda kayıtlı.



Makineyi yağmur altında tutmayın.



Karot matkap ucu



İçi dolu matkap ucu



Elektrikli cihazların esvel atıklarla birlikte bertaraf edilmesi yasaktır. Elektrikli ve elektronik cihazlar ayrılarak biriktirilmeli ve çevreye zarar vermeden bertaraf edilmeleri için bir atık değerlendirme tesisine götürülmelidirler. Yerel makamlara veya satıcınıza geri dönüşüm tesisleri ve atık toplama merkezlerinin yerlerini danışınız.



Koruma sınıfı II olan elektrikli aletler. Elektrik çarpmasına karşı korumanın sadece temel izolasyona bağlı olmayıp, aynı zamanda çift izolasyon veya takviyeli izolasyon gibi ek koruyucu önlemlerin alınmasına bağlı olan elektrikli alet. Bir koruyucu iletken bağlamak için düzeneği bulunmamaktadır.



CE işareti



UkrSEPRO Uyumluluk işareti



EurAsian Uyumluluk işareti



Tür

TECHNICKÁ DATA Magnetická jádrová vrtačka	MDE 41	MDP 41
Výrobní číslo	4523 56 02... 4523 50 02... ... 000001-999999	4523 43 02... ... 000001-999999
Jmenovitý příkon	1200 W	1200 W
Volnoběžné otáčky 1. rychlost Volnoběžné otáčky 2. rychlost	475 min ⁻¹ 730 min ⁻¹	475 min ⁻¹ 730 min ⁻¹
Výška zdvihu	146 mm	146 mm
Max. magnetická síla	9,93 kN	8,89 kN
Max. ø vrtání vrtákem do předlitého otvoru	41 mm	41 mm
Max. ø vrtání vrtákem do plného materiálu	13 mm	13 mm
Upnutí vřetena	19 mm Weldon	19 mm Weldon
Hmotnost podle prováděcího předpisu EPTA 01/2003	13,5 kg	14 kg
Informace o hluku Naměřené hodnoty odpovídají EN 61029. V třídě A posuzovaná hladina hluku přístroje činí typicky:		
Hladina akustického tlaku (Kolísavost K=3dB(A)) Hladina akustického výkonu (Kolísavost K=3dB(A)) Používejte chrániče sluchu !	95,0 dB(A) 106,0 dB(A)	95,0 dB(A) 106,0 dB(A)
Informace o vibracích Celkové hodnoty vibrací (vektorový součet tří směrů) zjištěné ve smyslu EN 61029.		
Hodnota vibračních emisí a _h Kolísavost K=	2,17 m/s ² 1,5 m/s ²	2,17 m/s ² 1,5 m/s ²

VAROVÁNÍ!

Úroveň chvění uvedená v tomto návodu byla naměřena podle metody měření stanovené normou EN 61029 a může být použita pro porovnání elektrického nářadí. Hodí se také pro průběžný odhad zatížení chvěním.

Uvedená úroveň chvění představuje hlavní účely použití elektrického nářadí. Jestliže se ale elektrické nářadí používá pro jiné účely, s odlišnými nástroji nebo s nedostatečnou údržbou, může se úroveň chvění odlišovat. To může značně zvýšit zatížení chvěním během celé pracovní doby.

Pro přesný odhad zatížení chvěním se musí také zohlednit časy, během kterých je přístroj vypnutý nebo kdy je síce v chodu, ale skutečně se s ním nepracuje. To může zatížení chvěním během celé pracovní doby značně snížit.

Stanovte doplňková bezpečnostní opatření pro ochranu obsluhy před účinky chvění jako například: technická údržba elektrického nářadí a nástrojů, udržování teploty rukou, organizace pracovních procesů.



VAROVÁNÍ!

Seznamte se se všemi bezpečnostními pokyny a síce i s pokyny. Zanedbání při dodržování varovných upozornění a pokynů mohou mít za následek úder elektrickým proudem, požár a ebo těžká poranění.

Všechna varovná upozornění a pokyny do budoucna uschovejte.



SPECIÁLNÍ BEZPEČNOSTNÍ UPOZORNĚNÍ MAGNETICKÁ JÁDROVÁ VRTAČKA

Bezpodmínečně používat ochranná zařízení přímočaré pily. Použijte ochranné vybavení. Při práci s elektrickým nářadím používejte vždy ochranné brýle. Doporučujeme rovněž použití součástí ochranného oděvu a ochranné obuvi, jako protiprašné masky, ochranných rukavic, pevné a neklouzající obuvi, ochranné přílby a ochrany sluchu. Nesahejte do nebezpečného prostoru běžícího stroje.

Pokud stroj běží, nesmí být odstraňovány třísky nebo odštěpky. Nepoužívejte žádné poškozené nasazovací nástroje.

Kusy spolehlivě upevněte nebo upněte. Pro snížení rizika zranění nikdy nepodíržujte obrobek rukama.

VAROVÁNÍ! Mohlo by to mít za následek úraz elektrickým proudem. Źeznou tekutinu nepoužívejte, pokud je nástroj v pozici vzhůru nohama ěi v jakékoli pozici, kdy by tato tekutina mohla vniknout do motoru nebo krytu vypínaěe.

Vzhledem k nebezpečí zkratu se nesmí dostat do odvětrávací mezery kovy.

OBLAST VYUŽITÍ

Stojan vrtačky lze použít k vrtání velkých otvorů v oceli a jiných kovech s obsahem železa.

PRACOVNÍ POKYNY

MDP 41: Sloupová vrtačka je konstruována tak, aby pomocí elektromagnetu poďdržovala železné materiály o tlouš ěe vyšší než 6,35 mm. Z tohoto důvodu nepoužívejte materiály teněi než 6,35 mm. Na magnetickou desku nelze poichytit nemagnetickou nerezovou ocel.

MDE 41: Sloupová vrtačka je konstruována tak, aby pomoci elektromagnetu podržovala železné materiály o tloušťce vyšší než 9,5 mm. Z tohoto důvodu nepoužívejte materiály tenější než 9,5 mm. Na magnetickou desku nelze pochytit nemagnetickou nerezovou ocel.

Podklad pod stojanem vrtačky musí být čistý, pevný, hladký, suchý a bez děr a laku.

Stojan vrtačky nevystavujte dešti a nepoužívejte jej v mokřích nebo vlhkých prostorech a ani v prostorech s nebezpečím výbuchu.

Bíhem celé operace používejte stejnou sílu, aby špony a točisky nezapadly pod břit nože. Točisky pod břitkem mohou vrtání ztížit nebo dokonce znemožnit.

VAROVÁNÍ!

Použitím nadměrné síly může dojít k uvolnění magnetu.

Nedotýkejte se hrotů nože. Hroty pravidelně kontrolujte, zdali nejsou uvolniny či poškozeny. Nedotýkejte se hrotů nože. Hroty pravidelně kontrolujte, zdali nejsou uvolniny či poškozeny.

Pro dlouhou životnost nožů se doporučuje používat tekutinu.

Při pracích na šikmých a svislých plochách a nad hlavou musí být magnetický stojan vrtačky zabezpečený pomocí dodaného popruhu.

Bezpečnostní popruh musí být připevněn tak, aby obsluha mohla stojan vrtačky při selhání magnetu dát pryč.

Bezpečnostní popruh před každým použitím zkontrolujte, jestli na něm nejsou stopy poškození nebo zastárnutí. Poškozený bezpečnostní popruh nepoužívejte!

Nasazený nástroj se může během používání rozpálit.

VAROVÁNÍ! Nebezpečí popálení.

- při výměně nástroje
- při odkládání přístroje

Nevyjímejte nůž, dokud není odstraněn děřík. Děřík může neočekávaně vyskočit.

AUTOMATICKÉ ZASTAVENÍ

Pomocí AUTOMATICKÉHO ZASTAVENÍ se při zvýšené rázové kroutcí síle vyvinuté na magnetický stroj automaticky vypne. Zjistěte a odstraňte příčinu automatického zastavení se zohledněním bezpečnostních pokynů.

Eventuální příčinou může být:

- Opracovávaný materiál se zlomí.
- Přetížení elektrického nářadí vlivem příliš vysokého posuvu
- Nečistá magnetická plocha

Stroj vypněte a znovu zapněte

OCHRANA PROTI OPĚTOVNÉMU NÁBĚHU

Zapnutá vrtačka se po výpadku napětí znovu nerozběhne. Abyste mohli pracovat dál, vrtačku vypněte a opět zapněte.

BLOK MOTOR / MAGNET

Vzájemný blok motor / magnet zabraňuje průchodu elektrické energie do motoru vrtačky, pokud není zapnut magnet. Tento blok rovněž tak zabraňuje vypnutí magnetu, dokud motor běží.

PŘIPOJENÍ NA SÍŤ

Připojovat pouze na jednofázový střídavý elektrický proud a pouze na síťové napětí uvedené na štítku. Je možné připojení pouze na zásuvky s ochranným kontaktem.

Předřadte ochranný spínač svodového proudu (FI, RCD, PRCD).

Stroj zapínat do zásuvky pouze když je vypnutý.

Neustále dbát na to, aby byl kabel pro připojení k elektrické síti mimo dosah stroje. Kabel vést vždy směrem dozadu od stroje.

ÚDRŽBA

Před každým použitím přístroje, připojovací kabel, prodlužovací kabel, bezpečnostní popruh a zástrčku zkontrolujte, jestli nejsou poškozené a nemají příznaky zastárnutí. Poškozené díly nechte opravit u odborníka.

Větrací štěrbinový nářadí udržujeme stále čisté.

Na ozubení ozubené tyče naneste občas několik kapek oleje. Ložiska posuvné hřídele jsou samomazná a nesmí se mazat. Kluznou plochu suportu mažte mazivem se sulfidem molybdeničitým.

Průběžně stírejte z přístroje prach a nečistoty. Rukojeť udržujte v čistotě, suchou a bez olejových nebo tukových skvrn. Čistící přípravky a rozpouštědla škodí umělým hmotám a jiným izolovaným dílům, proto čistěte přístroj pouze jemným mýdlem a vlhkým hadrem. Nikdy nepoužívejte hořlavá rozpouštědla v blízkosti přístroje.

Používat výhradně příslušenství Milwaukee a náhradní díly Milwaukee. Díly jejichž výměny nebyla popsána, nechte vyměnit v autorizovaném servisu (viz. "Záruky / Seznam servisních míst")

Při potřebě podrobného rozkresu konstrukce, oslovte informaci o typu a čísle přímo servis nebo výrobce, Techtronic Industries GmbH, Max-Eyth-Straße 10, 71364 Winnenden, Germany.

CE-PROHLÁŠENÍ O SHODĚ

Prohlašujeme na naši výhradní odpovědnost, že produkt popsán v části „Technické údaje“ splňuje všechna příslušná ustanovení směrnice

2011/65/EU (RoHS), 2006/42/ES,
2004/108/ES (do 19. dubna 2016),
2014/30/EU (od 20. dubna 2016)

a byly použity následující harmonizované normy

EN 55014-1:2006+A1:2009+A2:2011
EN 55014-2:1997+A1:2001+A2:2008
EN 61000-3-2:2014
EN 61000-3-3:2013
EN 50581:2012

a normy
EN 62841-1:2015



Winnenden, 2015-11-25

Alexander Krug / Managing Director
Zplnomocněn k sestavování technických podkladů.

Techtronic Industries GmbH
Max-Eyth-Straße 10, 71364 Winnenden, Germany

SYMBOLY



POZOR! VAROVÁNÍ! NEBEZPEČÍ!



Před zahájením veškerých prací u stroji vytáhnout síťovou zástrčku ze zásuvky.





Při práci se stojanem vrtačky nad úrovní hlavy pracujte vždy ve dvou. Noste toto elektrické nářadí vždy ve dvou, aby se zabránilo poraněním zad.



Před spuštěním stroje si pečlivě přečtěte návod k používání.



Při práci se strojem neustále nosit ochranné brýle.



Používejte chrániče sluchu!



Používejte ochranné rukavice!



NEBEZPEČÍ! Abyste snížili riziko úrazu, dbejte na to, abyste se nedotkli pohybujících se částí a špon, a už rukama nebo částí odivu ei hadrem. Nepokoušejte se špony odstranit, dokud se nůž točí. Tyto špony jsou ostré a mohou vtáhnout prst do pohybujících se částí.



Je zakázáno mít u sebe kovové součástky a hodinky.



Osoby s kardiostimulátory či jinými lékařskými implantáty nesmějí tento vrtací stojan používat.



Nošení magnetických nebo elektronických médií zakázáno.



Nevystavujte stroj dešti.



Jádrový korunkový vrták



Plný vrták



Elektrické přístroje se nesmí likvidovat společně s odpadem z domácnosti. Elektrické a elektronické přístroje je třeba sbírat odděleně a odevzdat je v recyklačním podniku na ekologickou likvidaci. Na místních úřadech nebo u vašeho specializovaného prodejce se informujte na recyklační podniky a sběrné dvory.



Elektrický přístroj s třídou ochrany II. Elektrický přístroj, u kterého ochrana před zásahem el. proudem závisí nejen na základní izolaci, ale i na tom, že budou použita také doplňková ochranná opatření, jakými jsou dvojitá izolace nebo zesílená izolace. Neexistuje žádné zařízení pro připojení ochranného vodiče.



Značka CE



TR 066

UkrSEPRO značka shody



Euroasijská značka shody

TECHNICKÉ ÚDAJE Magnetická jadrová vrtačka	MDE 41	MDP 41
Výrobné číslo	4523 56 02... 4523 50 02... ... 000001-999999	4523 43 02... ... 000001-999999
Menovitý príkon	1200 W	1200 W
Otáčky naprázdno 1. prevodový stupeň	475 min ⁻¹	475 min ⁻¹
Otáčky naprázdno 2. prevodový stupeň	730 min ⁻¹	730 min ⁻¹
Výška zdvihu	146 mm	146 mm
Max. magnetická sila	9,93 kN	8,89 kN
Max. ø vrtu s jadrovým (dutým) vrtákom	41 mm	41 mm
Max. ø vrtu s plným vrtákom	13 mm	13 mm
Uchytenie vretena	19 mm Weldon	19 mm Weldon
Hmotnosť podľa vykonávacieho predpisu EPTA 01/2003	13,5 kg	14 kg
Informácia o hluku Namerané hodnoty určené v súlade s EN 61029. V triede A posudzovaná hladina hluku prístroja činí typicky:		
Hladina akustického tlaku (Kolísavosť K=3dB(A))	95,0 dB(A)	95,0 dB(A)
Hladina akustického výkonu (Kolísavosť K=3dB(A))	106,0 dB(A)	106,0 dB(A)
Používajte ochranu sluchu!		
Informácie o vibráciách Celkové hodnoty vibrácií (vektorový súčet troch smerov) zistených zmysle EN 61029.		
Hodnota vibračných emisií a _h	2,17 m/s ²	2,17 m/s ²
Kolísavosť K=	1,5 m/s ²	1,5 m/s ²



Slov

POZOR!

Úroveň vibrácií uvedená v týchto pokynoch bola nameraná meracou metódou, ktorú stanovuje norma EN 61029 a je možné ju použiť na vzájomné porovnanie elektrického náradia. Hodí sa aj na predbežné posúdenie kmitavého namáhania.

Uvedená úroveň vibrácií reprezentuje hlavné aplikácie elektrického náradia. Ak sa však elektrické náradie používa pre iné aplikácie, s odlišnými vloženími nástrojmi alebo s nedostatočnou údržbou, môže sa úroveň vibrácií líšiť. Toto môže kmitavé namáhanie v priebehu celej pracovnej doby podstatne zvýšiť.

Pre presný odhad kmitavého namáhania by sa mali tiež zohľadniť doby, v ktorých je náradie vypnuté alebo je síce v chode, ale v skutočnosti sa nepoužíva. Toto môže kmitavé namáhanie v priebehu celej pracovnej doby zreteľne redukovať.

Stanovte dodatočné bezpečnostné opatrenia pre ochranu obsluhy pred účinkami vibrácií, ako napríklad: údržba elektrického náradia a vložení nástrojov, udržiavanie teploty rúk, organizácia pracovných postupov.



POZOR!

Zoznámte sa so všetkými bezpečnostnými pokynmi. Zanedbanie dodržiavania Výstražných upozornení a pokynov uvedených v nasledujúcom texte môže mať za následok zásah elektrickým prúdom, spôsobiť požiar a/alebo ťažké poranenie.

Tieto Výstražné upozornenia a bezpečnostné pokyny starostlivo uschovajte na budúce použitie.



ŠPECIÁLNE BEZPEČNOSTNÉ POKYNY MAGNETICKÁ JADROVÁ VRŤAČKA

Ochranné zariadenie stroja bezpodmienečne používať Použite ochranné vybavenie. Pri práci s elektrickým náradím používajte vždy ochranné okuliare. Doporučujeme taktiež použitie súčastí ochranného odevu a ochrannej obuvi, ako sú protiprašná maska, ochranné rukavice, pevná a neklzajúca obuv, ochranná prilba a ochrana sluchu.

Nesiahať do nebezpečnej oblasti bežiacieho stroja.

Triesky alebo úlomky sa nesmú odstraňovať za chodu stroja.

Nepoužívajte žiadne poškodené pracovné nástroje.

Obrobky bezpečne upevniť alebo upnúť. Aby sa predišlo riziku poranenia, nemal by sa obrobok pridržovať rukou.

POZOR! Pri mokrých spojoch vzniká nebezpečenstvo zásahu el. prúdom.

Žiadnu kvapalinu na rezanie nepoužívajte v pozícii prístroja nad hlavou alebo iných polohách, pri ktorých by táto kvapalina mohla vniknúť do motora alebo do krytu s vypínačom.

Z dôvodu nebezpečia skratu sa do vetracích otvorov nesmú dostať kovové predmety.

POUŽITIE PODĽA PREDPISOV

Stojan vrtačky možno používať na vrtanie veľkých otvorov do ocele a iných kovov s obsahom železa.

NAPOTKI ZA DELO

MDP 41: Elektromagnetická stojanová vrtačka je magneticky pridržovaná na 6,35 mm alebo hrubšom materiáli obsahujúcom železo. Nepoužívajte na materiáli, ktorý má menšiu hrúbku ako 6,35

mm. Magnetický podstavec NEBUDE DRŽAŤ na nemagnetických miestach z ušľachtilej ocele.

MDE 41: Elektromagnetická stojanová vrtačka je magneticky pridžiavovaná na 9,5 mm alebo hrubšom materiáli obsahujúcom železo. Nepoužívajte na materiáli, ktorý má menšiu hrúbku ako 9,5 mm. Magnetický podstavec NEBUDE DRŽAŤ na nemagnetických miestach z ušľachtilej ocele.

Podklad pod stojanom vrtačky musí byť čistý, pevný, hladký, suchý a bez dier a laku.

Stojan vrtačky nevystavujte dažďu a nepoužívajte vo vlhkých a mokrych priestoroch a v priestoroch, v ktorých hrozí nebezpečenstvo výbuchu.

Počas celého procesu vyvíjajte rovnomerný tlak, aby pod frézované hrany nepadali žiadne triesky alebo ostrapy. Vďaka odpadu z frézovania, ktorý sa dostane pod frézu, sa môže stať, že zrealizovanie frézovacích prác sa za daných okolností sťaží alebo dokonca znemožní.

POZOR!

Použitím nadmernej sily sa magnet uvoľní.

Zamedzte kontaktu s hrotmi frézy. Hroty frézy občas skontrolujte, či nie sú uvoľnené alebo poškodené.

Kvôli zabezpečeniu dlhjej prevádzkovej životnosti týchto fréz sa odporúča používať reznú kvapalinu.

Pri prácach na šikmých a zvislých plochách a nad hlavou musí byť magnetický stojan vrtačky zabezpečený pomocou dodaného popruhu.

Bezpečnostný popruh musí byť pripavený tak, aby sa stojan vrtačky pri zlyhaní magnetu dal obsluhou pohnúť preč.

Bezpečnostný popruh pred každým použitím skontrolujte, či na ňom nie sú znaky poškodenia alebo zostarnutia. Poškodený bezpečnostný popruh nepoužívajte!

Nasadený nástroj sa počas používania môže rozhorúčiť.

POZOR! Nebezpečenstvo popálenia

- pri výmene nástroja
- pri odkladaní prístroja

Frézu odstráňte až vtedy, keď bol opracovaný kus vybratý von. Opracovaný kus môže byť neočakávane vyhodенý von.

AUTOMATICKÉ ZASTAVENIE

Pomocou AUTOMATICKÉHO ZASTAVENIA sa pri zvýšenej rázovej krútiacej sile vyvinutej na magnet stroj automaticky vypne. Zistíte a odstránite príčinu automatického zastavenia so zohľadnením bezpečnostných pokynov.

Eventuálnou príčinou môže byť:

- Zlomenie sa opracovávaného materiálu
- Preťaženie elektrického náradia prostred. príliš vysokého posuvu
- Nie čistá magnetická plocha

Stroj vypnite a znovu zapnite

OCHRANA PROTI OPĀTOVNÉMU NĀBEHU

Zapnutý stroj po výpadku napätia opäť nenabehne. Aby ste mohli pokračovať v práci, stroj vypnite a potom znovu zapnite.

ZABLOKOVANIE MOTORĀ/MAGNETU

Zablokovanie motora / magnetu je bezpečnostný prvok, ktorý zabráni tomu, aby bol motor vrtačky zásobovaný prúdom, keď magnet nie je aktivovaný. Toto zablokovanie sa stará o to, aby sa magnet nevypol počas toho, ako beží motor.

SIETOVĀ PRÍPOJKA

Pripájajte len na jednofázový striedavý prúd a na sieťové napätie uvedené na štítku o výkonnosti. Pripájajte len do zásuviek s ochranným kontaktom.

Zapnite spínač poruchovo-ochranného prúdu (FI, RCD, PRCD).

Len vypnutý stroj pripájajte do zásuvky.

Pripojovací kábel držte mimo pracovnej oblasti stroja. Kábel smerujte vždy smerom dozadu od stroja.

ÚDRZBA

Pred každým použitím prístroja, prípojný kábel, predlžovací kábel, bezpečnostný popruh a zástrčku skontrolujte, či nie sú poškodené a nemajú príznaky zostarnutia. Poškodené diely nechajte opraviť u odborníka.

Vetracie otvory udržiavať stále v čistote.

Na ozubenie ozubeného hrebeňa naneste občas niekoľko kvapiek oleja. Ložiská posuvného hriadeľa sú samomastiace a nesmú sa olejovať. Na mazanie klznej plochy suportu používajte masťvo Molykote.

Priebežne stierajte z prístroja prach a nečistoty. Rukoväť udržiavajte v čistote, suchú a bez olejových alebo tukových škvŕn. Čistiace prípravky a rozpúšťadlá škodia umelým hmotám a iným izolovateľným dielom, preto čistite prístroj len jemným mydlom a vlhkou handrou. Nikdy nepoužívajte horľavé rozpúšťadlá v blízkosti prístroja.

Používať len Milwaukee príslušenstvo a Milwaukee náhradné diely. Súčiastky bez návodu na výmenu treba dať vymeniť v jednom z Milwaukee zákaznických centier (viď brožúru Záruka/Adresy zákaznických centier).

Pri udaní typu stroja a čísla nachádzajúceho sa na štítku dá sa v prípade potreby vyžiadať explozívna schéma prístroja od vášho zákaznického centra alebo priamo v Techtronic Industries GmbH, Max-Eyth-Straße 10, 71364 Winnenden, Germany.

CE - VYHLĀSENIE KONFORMITY

Na našu výhradnú zodpovednosť vyhlasujeme, že produkt popísaný v časti „Technické údaje“ spĺňa všetky príslušné ustanovenia smerníc

2011/65/EU (RoHS), 2006/42/ES,
2004/108/ES (do 19. dubna 2016),
2014/30/EU (od 20. dubna 2016)

a boli použité nasledovné harmonizované normy

EN 55014-1:2006+A1:2009+A2:2011
EN 55014-2:1997 + A1:2001 + A2:2008
EN 61000-3-2:2014
EN 61000-3-3:2013
EN 50581:2012
a normy
EN 62841-1:2015



Winnenden, 2015-11-25

Alexander Krug / Managing Director
Splnomocnený zostaviť technické podklady.

Techtronic Industries GmbH
Max-Eyth-Straße 10, 71364 Winnenden, Germany



Slov

SYMBOLY



POZOR! NEBEZPEČENSTVO!



Pred každou prácou na stroji vyťahnite zástrčku zo zásuvky.



Pri prácach v polohách stojana vrtačky nad hlavou treba pracovať vždy vo dvojici. Toto elektrické náradie prenášajte vždy vo dvojici, aby ste predišli poraneniu chrbtice.



Pred prvým použitím prístroja si pozorne prečítajte návod na obsluhu.



Pri práci so strojom vždy noste ochranné okuliare.



Používajte ochranu sluchu!



Používajte ochranné rukavice!



NEBEZPEČENSTVO! Aby sa predišlo poraniam, ruky, handry, šaty, atď. majte stále v bezpečnej vzdialenosti od pohybujúcich sa častí a kovových triesok. Kovové triesky v žiadnom prípade neodstraňujte počas toho, ako sa fréza ešte otáča. Tieto triesky majú ostré hrany a môžu predmety vtiahnuť do pohybujúcich sa častí.



Je zakázané mať na sebe kovové predmety a hodinky.



Osoby s kardiostimulátorom alebo s inými zdravotnými implantátmi nesmú tento vrtací stojan používať.



Nosenie magnetických alebo elektronických médií zakázané.



Nevystavujte stroj dažďu.



Jadrový korunkový vrták



Plný vrták



Elektrické prístroje sa nesmú likvidovať spolu s odpadom z domácností. Elektrické a elektronické prístroje treba zbierať oddelene a odovzdať ich v recyklačnom podniku na ekologickú likvidáciu. Na miestnych úradoch alebo u vášho špecializovaného predajcu sa spýtajte na recyklačné podniky a zberné dvory.



Elektrický prístroj triedy ochrany II. Elektrický prístroj, pri ktorom ochrana pred zásahom el. prúdom závisí nie len od základnej izolácie, ale aj od toho, že budú použité aj doplnkové ochranné opatrenia, akými sú dvojité izolácie alebo zosilnená izolácia. Neexistuje žiadne zariadenie na pripojenie ochranného vodiča.



Značka CE



UkrSEPRO značka zhody

TR 066



Euroázijská značka zhody



DANE TECHNICZNE Magnetyczna wiertnica	MDE 41	MDP 41
Numer produkcyjny	4523 56 02... 4523 50 02... ... 000001-999999	4523 43 02... ... 000001-999999
Znamionowa moc wyjściowa	1200 W	1200 W
Prędkość bez obciążenia 1 bieg Prędkość bez obciążenia 2 bieg	475 min ⁻¹ 730 min ⁻¹	475 min ⁻¹ 730 min ⁻¹
Długość skoku	146 mm	146 mm
Maks. siła elektromagnesu	9,93 kN	8,89 kN
Maks. średnica wiercenia wiertłem do otworu pod gwint	41 mm	41 mm
Maks. średnica wiercenia wiertłem pełnym	13 mm	13 mm
Mocowanie wrzeciona	19 mm Weldon	19 mm Weldon
Ciężar wg procedury EPTA 01/2003	13,5 kg	14 kg
Informacja dotycząca szumów Zmierzone wartości wyznaczono zgodnie z normą EN 61029. Poziom szumów urządzenia oszacowany jako A wynosi typowo:		
Poziom ciśnienia akustycznego (Niepewność K=3dB(A))	95,0 dB(A)	95,0 dB(A)
Poziom mocy akustycznej (Niepewność K=3dB(A))	106,0 dB(A)	106,0 dB(A)
Należy używać ochroniaczy uszu!		
Informacje dotyczące wibracji Wartości łączne drgań (suma wektorowa trzech kierunków) wyznaczone zgodnie z normą EN 61029		
Wartość emisji drgań a _h	2,17 m/s ²	2,17 m/s ²
Niepewność K=	1,5 m/s ²	1,5 m/s ²

OSTRZEŻENIE!

Podany w niniejszych instrukcjach poziom drgań został zmierzony za pomocą metody pomiarowej zgodnej z normą EN 61029 i może być użyty do porównania ze sobą elektronarzędzi. Nadaje się on również do tymczasowej oceny obciążenia wibracyjnego.

Podany poziom drgań reprezentuje główne zastosowania elektronarzędzia. Jeśli jednakże elektronarzędzie użyte zostanie do innych celów z innymi narzędziami roboczymi lub nie jest dostatecznie konserwowane, wtedy poziom drgań może wykazywać odchylenia. Może to wyraźnie zwiększyć obciążenie wibracjami przez cały okres pracy.

Dla dokładnego określenia obciążenia wibracjami należy uwzględnić również czasy, w których urządzenie jest wyłączone względnie jest włączone, lecz w rzeczywistości nie pracuje. Może to spowodować wyraźną redukcję obciążenia wibracyjnego w całym okresie pracy.

Należy wprowadzić dodatkowe środki zapobiegawcze celem ochrony obsługującego przed oddziaływaniem drgań, jak na przykład: konserwacja narzędzi roboczych i elektronarzędzi, nagranie rąk, organizacja przebiegu pracy.

OSTRZEŻENIE!

Prosimy o przeczytanie wskazówek bezpieczeństwa i zaleceń, również tych. Błędy w przestrzeganiu poniższych wskazówek mogą spowodować porażenie prądem, pożar i/lub ciężkie obrażenia ciała.

Należy starannie przechowywać wszystkie przepisy i wskazówki bezpieczeństwa dla dalszego zastosowania.

INSTRUKCJE DOTYCZĄCE BEZPIECZEŃSTWA MAGNETYCZNA WIERTNICA

Zawsze stosować osłony ochronne na elektronarzędziu. Stosować wyposażenie ochronne. Przy pracy maszyną zawsze nosić okulary ochronne. Zalecana jest odzież ochronna, jak maska pyłochronna, rękawice ochronne, mocne i chroniące przed poślizgiem obuwie, kask i ochronniki słuchu.

Podczas pracy strugarki nie zbliżać się do strefy niebezpiecznej.

Podczas pracy elektronarzędzia nie wolno usuwać trocin ani drzazg.

W żadnym wypadku nie należy używać uszkodzonych narzędzi roboczych.

Zacisnąć lub w inny sposób zamocować obrabiany przedmiot. Aby zmniejszyć ryzyko wypadku, nie przytrzymuj obrabianego przedmiotu ręką.

OSTRZEŻENIE! Wilgotne styki grożą porażeniem prądem. Nie stosować płynu frezerskiego w pozycji górnej ani w żadnej innej, w której płyn mógłby się dostać do obudowy silnika lub przełącznika.

Nie dopuszczać do przedostawania się części metalowych do szczelin powietrznych - niebezpieczeństwo zwarcia!

WARUNKI UŻYTKOWANIA

Stojak wiertarski może być stosowany do wiercenia dużych otworów w stali i innych metalach żelaznych.

WSKAZÓWKI DOTYCZĄCE UŻYTKOWANIA

MDP 41: Elektromagnetyczna wiertarka pionowa przywiera magnetycznie do materiału ferromagnetycznego grubości od 6,35 mm wzwyż. Nie należy stosować materiału cieńszego niż 6,35 mm. Podstawa magnetyczna NIE będzie przywierać do niemagnetycznych odmian stali nierdzewnej.

MDE 41: Elektromagnetyczna wiertarka pionowa przywiera magnetycznie do materiału ferromagnetycznego grubości od 9,5 mm wzwyż. Nie należy stosować materiału cieńszego niż 9,5 mm. Podstawa magnetyczna NIE będzie przywierać do niemagnetycznych odmian stali nierdzewnej.

Podłoże pod stojakiem wiertarki winno być czyste, wytrzymałe, gładkie, suche i wolne od otworów i lakieru.

Nie narażaj stojaka na działanie deszczu i nie używaj go w pomieszczeniach mokrych, wilgotnych i zagrożonych wybuchem.

Utrzymywanie stałego nacisku podczas pracy zapobiega dostawaniu się wirów i zadziórów pod krawędzie tnące, co utrudnia lub uniemożliwia pracę frezu.

OSTRZEŻENIE!

Pod wpływem nadmiernej siły magnes może zostać uwolniony.

Unikaj kontaktu z narzynkami frezu. Co jakiś czas należy sprawdzać, czy narzynki frezu nie są obłuzowane lub uszkodzone.

Zaleca się stosowanie pyłu frezerskiego, który przedua wyotno frezów.

Podczas pracy na powierzchniach nachylonych i pionowych oraz powyżej głowy stojak magnetyczny wiertarki musi być zabezpieczony dostarczonym pasem.

Pas zabezpieczający winien być tak umieszczony, aby w razie awarii elektromagnesu stojak wiertarki mógł się przemieścić w kierunku od operatora.

Przed każdym użyciem pas bezpieczeństwa należy skontrolować pod kątem uszkodzeń i starzenia. Nie wolno używać uszkodzonego pasa zabezpieczającego!

Narzędzie nasadzane może w trakcie użytkowania stać się gorące.

OSTRZEŻENIE! Niebezpieczeństwo oparzenia się

- przy wymianie narzędzia
- przy odstawianiu urządzenia

Nie wyjmować frezu, jeżeli punktak nie został wyjęty. Punktak może zostać niespodziewanie wyrzucony.

AUTO-STOP

W przypadku wystąpienia nadmiernej gwałtownej siły obrotu na elektromagnesie maszyna zostanie automatycznie odłączona za pomocą AUTO STOP. Należy ustalić i usunąć przyczynę automatycznego zatrzymania z uwzględnieniem wskazań bezpieczeństwa.

Możliwymi przyczynami mogą być:

- Przetłamanie obrabianego materiału
- Przeciążenie elektronarzędzia na skutek zbyt dużego posuwu
- Zanieczyszczona powierzchnia elektromagnesu

Maszynę wyłączyć i włączyć z powrotem.

ZABEZPIECZENIE PRZED PONOWNYM URUCHOMIENIEM

Włączona maszyna po zaniku napięcia nie wystartuje ponownie. Aby kontynuować pracę należy wyłączyć i ponownie włączyć maszynę.

BLOKADA SILNIKIEM / MAGNESU

Sprzęż magnesu z silnikiem zapobiega zasilaniu silnika, jeżeli magnes nie jest zasilany, jak również odłączeniu zasilania magnesu, gdy silnik pracuje.

PODŁĄCZENIE DO SIECI

Silnik narzędzia przystosowany jest wyłącznie do jednofazowego prądu zmiennego o napięciu sieciowym podanym na tabliczce znamionowej. Podłączenie wyłącznie do gniazdka z uziemieniem.

Należy podłączyć wyłącznik ochronny różnicowy (FI, RCD, PRCD).

Elektronarzędzie można podłączać do gniazdka sieciowego tylko wtedy, kiedy jest wyłączone.

Kabel zasilający nie może znajdować się w obszarze roboczym elektronarzędzia. Powinien on się zawsze znajdować się za operatorem.

UTRZYMANIE I KONSERWACJA

Przed każdym użyciem sprawdzić urządzenie, kabel zasilający, przedłużacz, pas bezpieczeństwa i wtyczkę pod kątem uszkodzeń i zużycia. Wymiana winna zostać dokonana wyłącznie przez specjalistę.

Otwory wentylacyjne elektronarzędzia muszą być zawsze drożne.

Na użebienie zębalki od czasu do czasu dać kilka kropli oleju.

Łożyska wałka pociągowego są samosmarujące i nie wolno ich oliwić. Powierzchnię ślizgową sań smarować smarem Molykote.

Usuwać zawsze pył i zanieczyszczenia z przyrządu. Uchwyt utrzymywać zawsze w stanie czystym, suchym i wolnym od oleju lub smaru. Środki czyszczące i rozpuszczalniki działają niekorzystnie na tworzywa sztuczne i inne części izolujące, dlatego też przyrząd należy myć tylko wilgotną ściereczką nasączoną łagodnym mydłem. Nigdy nie należy używać palnych rozpuszczalników w pobliżu przyrządu.

Używać tylko i wyłącznie wyposażenia dodatkowego Milwaukee i części zamiennych Milwaukee. Gdyby trzeba było wymienić części, które nie zostały opisane, należy skontaktować się z przedstawicielem serwisu Milwaukee (patrz wykaz adresów punktów usługowych/gwarancyjnych).

Na życzenie można otrzymać rysunek widoku zespołu rozebranego. Przy zamawianiu należy podać numer oraz typ elektronarzędzia umieszczonego na tabliczce znamionowej. Zamówienia można dokonać albo u lokalnych przedstawicieli serwisu, albo bezpośrednio w Techtronic Industries GmbH, Max-Eyth-Straße 10, 71364 Winnenden, Germany.

DEKLARACJA ZGODNOŚCI CE

Oświadczamy na naszą wyłączną odpowiedzialność, że produkt opisany pod „Dane techniczne” spełnia wszystkie istotne przepisy dyrektywy

2011/65/EU (RoHS), 2006/42/WE,
2004/108/WE (do 19 Kwietnia 2016),
2014/30/EU (od 20 Kwietnia 2016)

i zastosowane następujące zharmonizowane normy

EN 55014-1:2006+A1:2009+A2:2011
EN 55014-2:1997+A1:2001+A2:2008
EN 61000-3-2:2014
EN 61000-3-3:2013
EN 50581:2012
oraz normy
EN 62841-1:2015





Winnenden, 2015-11-25

Alexander Krug

Alexander Krug / Managing Director
Upełnomocniony do zestawienia danych technicznych
Technicon Industries GmbH
Max-Eyth-Straße 10, 71364 Winnenden, Germany

SYMBOLE



UWAGA! OSTRZEŻENIE NIEBEZPIECZEŃSTWO!



Przed przystąpieniem do jakichkolwiek prac związanych z elektronarzędziem należy wyjąć wtyczkę z gniazdka.



W przypadku zastosowania stojaka wiertarskiego do pracy nad głową należy pracować zawsze we dwojkę. Narzędzie elektryczne należy zawsze nosić we dwojkę, aby uniknąć obrażeń pleców.



Przed uruchomieniem elektronarzędzia zapoznać się uważnie z treścią instrukcji.



Podczas pracy należy zawsze nosić okulary ochronne.



Należy używać ochroniaczy uszu!



Nosić rękawice ochronne!



NIEBEZPIECZEŃSTWO! Aby zmniejszyć ryzyko wypadku, należy zawsze trzymać ręce, szmaty, odzież itp. z dala od części ruchomych i wiórów. Nie wolno usuwać wiórów, gdy frez obraca się. Wióry są ostre i mogą wciągnąć przedmioty do części ruchomych.



Nie wolno też mieć przy sobie części metalowych ani zegarków.



Osobom z rozrusznikami serca lub innymi medycznymi implantami nie wolno stosować tego stojaka wiertarskiego.



Bilansowa magnetycznych lub elektronicznych nośników zabronione.



Chronić maszynę przed deszczem.



Wiertło koronowe



Wiertło rdzeniowe



Urządzenia elektryczne nie mogą być usuwane razem z odpadami pochodzącymi z gospodarstw domowych. Urządzenia elektryczne i elektroniczne należy gromadzić oddzielnie i w celu usuwania ich do odpadów zgodnie z wymaganiami środowiska naturalnego oddawać do przedsiębiorstwa utylizacyjnego. Proszę zasięgnąć informacji o centrach recyklingowych i punktach zbiorczych u władz lokalnych lub u wyspecjalizowanego dostawcy.



Elektronarzędzie klasy ochrony II. Elektronarzędzie, w którym zabezpieczenie przed porażeniem prądowym zależy nie tylko od izolacji podstawowej, lecz również od tego, czy zostały zastosowane dodatkowe środki ochrony, takie jak: izolacja podwójna lub izolacja wzmocniona. Nie ma żadnego urządzenia do podłączenia przewodu ochronnego.



Znak CE



Znak zgodności UkrSEPRO



Znak zgodności EurAsian

MŰSZAKI ADATOK Mágneses magfűrőgép	MDE 41	MDP 41
Gyártási szám	4523 56 02... 4523 50 02... ... 000001-999999	4523 43 02... ... 000001-999999
Névleges teljesítményfelvétel	1200 W	1200 W
Üresjárat fordulatszám 1. Fokozat Üresjárat fordulatszám 2. Fokozat	475 min ⁻¹ 730 min ⁻¹	475 min ⁻¹ 730 min ⁻¹
Lökethossz	146 mm	146 mm
Max. mágneserő	9,93 kN	8,89 kN
Fúrás-Ø max. központfurat fúróval	41 mm	41 mm
Fúrás-Ø max. teljesfurat fúróval	13 mm	13 mm
Orsófelfogó	19 mm Weldon	19 mm Weldon
Súly a 01/2003 EPTA-eljárás szerint	13,5 kg	14 kg
Zajinformáció A közölt értékek megfelelnek az EN 61029 szabványnak. A készülék munkahelyi zajszintje tipikusan:		
Hangnyomás szint (K bizonytalanság=3dB(A))	95,0 dB(A)	95,0 dB(A)
Hangteljesítmény szint (K bizonytalanság=3dB(A))	106,0 dB(A)	106,0 dB(A)
Hallásvédő eszköz használata ajánlott!		
Vibráció-információk Összesített rezgésértékek (három irány vektoriális összegaz EN 61029-nek megfelelően meghatározva.)		
rezgésemisszió érték a _n	2,17 m/s ²	2,17 m/s ²
K bizonytalanság	1,5 m/s ²	1,5 m/s ²



FIGYELMEZTÉS!

A jelen utasításokban megadott rezgésszint értéke az EN 61029-ben szabályozott mérési eljárásnak megfelelően került leérésre, és használható elektromos szerszámokkal történő összehasonlításhoz. Az érték alkalmas a rezgésterhelés előzetes megbecsülésére is.

A megadott rezgésszint-érték az elektromos szerszám legfőbb alkalmazásait reprezentálja. Ha az elektromos szerszámot azonban más alkalmazásokhoz, eltérő használt szerszámokkal vagy nem elegendő karbantartással használják, a rezgésszint értéke eltérő lehet. Ez jelentősen megnövelheti a rezgésterhelést a munkavégzés teljes időtartama alatt.

A rezgésterhelés pontos megbecsüléséhez azokat az időket is figyelembe kell venni, melyekben a készülék lekapcsolódik, vagy ugyan működik, azonban ténylegesen nincs használatban. Ez jelentősen csökkentheti a rezgésterhelést a munkavégzés teljes időtartama alatt.

Határozzon meg további biztonsági intézkedéseket a kezelő védelmére a rezgések hatása ellen, például: az elektromos és a használt szerszámok karbantartásával, a kezek melegen tartásával, a munkafolyamatok megszervezésével.



FIGYELMEZTÉS!

Olvasson el minden biztonsági útmutatást és utasítást. A következőkben leírt előírások betartásának elmulasztása áramütésekhez, tűzhöz és/vagy súlyos testi sérülésekhez vezethet.

Kérjük a későbbi használatra gondosan őrizz meg ezeket az előírásokat.



KÜLÖNLEGES BIZTONSÁGI TUDNIVALÓK MÁGNESES MAGFŰRŐGÉP

A készülék biztonságtechnikai felszereléseit feltétlenül használni kell. Használjon védőfelszerelést! Ha a gépen dolgozik, mindig hordjon védőszemüveget! Javasoljuk a védőruházat, úgymint porvédő maszk, védőcipő, erős és csúszásbiztos lábbeli, sisak és hallásvédő használatát.

A működő készülék munkaterületére nyúlni balesetveszélyes és tilos.

A munka közben keletkezett forgácsokat, szilánkokat, törmelékét, stb. csak a készülék teljes leállása után szabad a munkaterületről eltávolítani.

Ne használjon megrongálódott betétszerszámokat.

A munkadarabot megbízhatóan le kell rögzíteni. A sérülések elkerülése érdekében ne tartsa kézben a munkadarabot.

FIGYELMEZTÉS! A nedves csatlakozók áramütés veszélyével járhatnak.

Ne használjon kenő/hűtő folyadékok felső helyzetben történő munkavégzőskor, illetve olyan esetben, ha a kenő/vágó folyadék a motor vagy a kapcsolószerveket belsejébe kerülhet.

Rövidzárlat veszélye miatt a szellőzőnyílásokba nem kerülhetnek fémdarabkák.

RENDELTESSZERŰ HASZNÁLAT

A fúróállvány acélban és más, vastartalmú fémekben nagy furatok kifúrásához használható.

A HASZNÁLATRA VONATKOZÓ ÚTMUTATÁSOK

MDP 41: az elektromágneses oszlopos fűrőgép 6,35 mm-es vagy attól vasta-gabb, vastartalmú felületekhez rögzíthető. Ne

használnál 6,35 mm-nél vékonyabb felületeket. A mágneses alaplap a nem vastartalmú rozsdamentes acélokhoz NEM TÁPAD.

MDE 41: Az elektromágneses oszlopos fűrőgép 9,5 mm-es vagy attól vasta-gabb, vastartalmú felületekhez rögzíthető. Ne használjon 9,5 mm-nél vékonyabb felületeket. A mágneses alaplap a nem vastartalmú rozsdamentes acélokhoz NEM TÁPAD.

A fúróállvány alatti alapnak tisztának, szilárdnak, simának, száraznak, lyukaktól és laktól mentesnek kell lennie.

A fúróállványt nem szabad esőnek kitenni és nem szabad nedves, nyirkos vagy robbanásveszélyes helyiségben használni.

A nyomást az egész művelet során azonos mértéken kell tartani, hogy a vágóélek alá ne kerülhessenek forgácsok illetve vágási maradékok. A vágóélek alá került vágási hulladékok megnehezítik, illetve lehetetlenné teszik a vágást.

FIGYELMEZTETÉSI!

Túl nagy erő alkalmazása a mágnes eleresztését okozza.

Ne érintse meg a vágóéleket. Időnként ellenőrizze a vágóéleket, hogy nem lazultak-e ki, illetve nem sérültek-e.

A vágófejek lehető leghosszabb élettartama kenő/hűtő folyadék alkalmazásával biztosítható.

Ferde és függőleges felületeken, valamint fej felett végzett munkáknál a mágneses fúróállványt a mellékelt hevederrel kell biztosítani.

A biztonsági hevedert úgy kell felhelyezni, hogy a fúróállvány a mágnes meghibásodása esetén a kezelőtől távolodó irányba mozduljon el.

A biztonsági hevedert minden használat előtt ellenőrizze sérülések és öregedés tekintetében. A hibás biztonsági hevedert ne használja!

A betétszerszám az alkalmazás során felforrósodhat.

FIGYELMEZTETÉS! Egési sérülések veszélye

- szerszámcserék
- a készülék lerakásakor

A vágófejet csak akkor szerelje le, ha a vágási mag el lett távolítva. Eloffordulhat, hogy a vágási mag váratlanul kipattan a furatból.

AUTO-STOP

Az AUTO STOP funkcióval a mágnesre gyakorolt túlzottan nagy, lökészerű csavaróerő esetén a gép automatikusan kikapcsol. Határozza és szüntesse meg az automatikus leállás okát a biztonsági utasítások figyelembevételével.

Ennek a következők lehetnek az okai:

- A megmunkálandó anyag átszakadt
- Az elektromos szerszám túlterhelése túl nagy előtolás által
- A mágnes felülete nem tiszta

Kapcsolja ki a gépet, majd ismét kapcsolja be.

ÚJRAINDULÁS ELLENI VÉDELEM

A bekapcsolt gép feszültségkimaradás után nem indul el ismét. A munka folytatásához a gépet ki, majd újra be kell kapcsolni.

MOTOR/MÁGNES

A motor/mágnes kényszerkapcsolat megakadályozza, hogy a fúrógép motorja áramot kaphasson, ha a mágnes nincs bekapcsolva. A motor/mágnes kényszerkapcsolat ugyanakkor azt is megakadályozza, hogy a motor üzemelése közben a mágnesről lekapcsolódhasson a feszültség.

HÁLÓZATI CSATLAKOZTATÁS

A készülék kizárólag egyfázisú váltóáramról és az adattáblán megadott feszültségen üzemeltethető. A hálózati csatlakoztatás kizárólag földelt dugaljba lehetséges.

Kapcsoljon a készülék elé hibaáram-védőkapcsolót (FI, RCD, PRCD).

A készüléket csak kikapcsolt állapotban szabad ismét áram alá helyezni.

Munka közben a hálózati csatlakozókábelt a sérülés elkerülése érdekében a munkaterületől, illetve a készüléktől távol kell tartani.

KARBANTARTÁS

Minden használat előtt ellenőrizze a készüléket, a csatlakozó kábeleket, hosszabbító kábeleket, a biztonsági hevedert és a dugót sérülések és öregedés tekintetében. A sérült alkatrészeket csak szakemberrel javíttassa meg.

A készülék szellőzőnyílásait mindig tisztán kell tartani.

A fogasrúd fogazatára időnként néhány csepp olajat kell cseppenteni. Az előlótengelyen önkönön csapágycsapatok vannak, így azokat nem szabad olajozni. A szán csúszófelületét molykote zsírral kell kenni.

A port és szennyeződések mindig el kell távolítani a készülékről. A fogantyút tisztán, szárazon, valamint olajtól és zsírtól mentesen kell tartani. A tisztító- és oldószeres károsak a műanyagokra és más szigetelő részekre, ezért csak gyenge szappannal és nedves ruhával tisztítsa a készüléket. Soha ne használjon éghető oldószereket a készülék közelében.

Csak Milwaukee tartozékokat és Milwaukee pótkatrészeket szabad használni. Az olyan elemeket, melyek cseréje nincs ismertetve, cseréltesse ki Milwaukee szervizzel (lásd Garancia/Ügyfélszolgálat címei kiadványt).

Szükség esetén a készülékek robbantott ábráját - a készülék típusa és azonosító száma alapján a területileg illetékes Milwaukee márkaszerviztől vagy közvetlenül a gyártótól (Techtronic Industries GmbH, Max-Eyth-Strasse 10, 71364 Winnenden, Germany) lehet kérni.

CE-AZONOSSÁGI NYILATKOZAT

Kizárólagos felelősségünk alapján kijelentjük, hogy a „Műszaki adatok” fejezetben leírt termék megfelel az irányelvek összes vonatkozó rendelkezésének

2011/65/EU (RoHS), 2006/42/EK,
2004/108/EK (napjáiig 19. Április 2016),
2014/30/EU (napjáiig 20. Április 2016)
harmonizált szabvány és a

EN 55014-1:2006+A1:2009+A2:2011
EN 55014-2:1997 + A1:2001 + A2:2008
EN 61000-3-2:2014
EN 61000-3-3:2013
EN 50581:2012
szabvány kerültek alkalmazásra.
EN 62841-1:2015



Winnenden, 2015-11-25

Alexander Krug

Alexander Krug / Managing Director
Műszaki dokumentáció összeállításra felhatalmazva
Techtronic Industries GmbH
Max-Eyth-Straße 10, 71364 Winnenden, Germany

SZIMBÓLUMOK



FIGYELEM! FIGYELMEZTETÉS! VESZÉLY!



Bármilyen jellegű karbantartás vagy javítás előtt a készüléket áramtalanítani kell.



A fúróállvány fejeletti használatakor mindig ketten végezzék a munkát. A hátsérülések elkerülése érdekében mindig két személy vigye az elektromos szerszámot.



Kérjük alaposan olvassa el a tájékoztatót mielőtt a gépet használja.



Munkavégzés közben ajánlatos védőszemüveget viselni.



Hallásvédő eszköz használata ajánlott!



Hordjon védőkesztyűt!



VESZÉLY! A sérülések elkerülése érdekében a kezeket, törölőrongyokat, ruhadarabokat, stb. mindig távol kell tartani a mozgó alkatrészektől, illetve forgácsdara-boktól! A vágófej forgása közben tilos a forgácsokat eltávolítani! A forgácsok szélei élesek, és azok a hozzájuk érő tárgyakat a mozgó alkatrészek közé húzhatják!



Fémtárgyakat és órát viselni tilos.



Szívritmus-szabályozóval vagy más beültetett orvosi készülékkel ellátott személyek ezt a fúróállványt nem használhatják.



Hordozó mágneses vagy elektronikus média tilos.



A gépet nem szabad esőnek kitenni.



Magfúró



Telibefúró



Az elektromos eszközöket nem szabad a háztartási hulladékkal együtt ártalmatlanítani. Az elektromos és elektronikus eszközöket szelektíven kell gyűjteni, és azokat környezetbarát ártalmatlanítás céljából hulladékhasznosító üzemben kell leadni. A helyi hatóságoknál vagy szakkereskedőjénél tájékozódjon a hulladékudvarokról és gyűjtőhelyekről.



II. védelmi osztályú elektromos szerszám. Olyan elektromos szerszám, amelynél az elektromos áramütés elleni védelem nem csak az alapszigeteléstől függ, hanem amelyben kiegészítő védőintézkedéseket, mint pl. kettős szigetelés vagy megerősített szigetelés, alkalmaznak. Nincs lehetőség védőérintkező csatlakoztatására.



CE-jelölés



TR 066

UkrSEPRO megfelelőségi jelzés.



Eurázsiai megfelelőségi jelzés.



TEHNIČNI PODATKI Magnetno jedro vrtnali stroj	MDE 41	MDP 41
Proizvodna številka	4523 56 02... 4523 50 02... ... 000001-999999	4523 43 02... ... 000001-999999
Nazivna sprejemna moč	1200 W	1200 W
Število vrtljajev v prostem teku 1. prestava Število vrtljajev v prostem teku 2. prestava	475 min ⁻¹ 730 min ⁻¹	475 min ⁻¹ 730 min ⁻¹
Višina dviga	146 mm	146 mm
Maksimalna jakost magneta	9,93 kN	8,89 kN
Vrtanje maksimalnega ø-premera s središčnim svedom	41 mm	41 mm
Vrtanje maksimalnega ø-premera z navadnim svedom v polno	13 mm	13 mm
Vreteno	19 mm Weldon	19 mm Weldon
Teža po EPTA-proceduri 01/2003	13,5 kg	14 kg
Informacije o hrupnosti Vrednosti merjenja ugotovljene ustrezno z EN 61029. Raven hrupnosti naprave ovrednotena z A, znaša tipično:		
Nivo zvočnega tlaka (Nevarnost K=3dB(A))	95,0 dB(A)	95,0 dB(A)
Višina zvočnega tlaka (Nevarnost K=3dB(A))	106,0 dB(A)	106,0 dB(A)
Nosite zaščito za sluh!		
Informacije o vibracijah Skupna vibracijska vrednost (Vektorska vsota treh smerdoločena ustrezno EN 61029.		
Vibracijska vrednost emisij a _h	2,17 m/s ²	2,17 m/s ²
Nevarnost K=	1,5 m/s ²	1,5 m/s ²



Slo

OPAZORILO!

V teh navodilih navedena raven tresljajev je bila izmerjena po EN61029 normiranem merilnem postopku in lahko služi medsebojni primerjavi električnih orodij. Prav tako je primeren za predhodno oceno obremenitve s tresljaji.

Navedena raven tresljajev navaja najpomembnejše vrste rabe električnega orodja. Kadar se električno orodje uporablja za drugačne namene, z odstopajočimi orodji ali pa z nezadostnim vzdrževanjem, lahko raven tresljajev tudi odstopa. Le to lahko čez celoten delovni čas znatno zviša obremenitev s tresenjem.

Za natančno oceno obremenitve s tresljaji naj bi se upošteval tudi čas v katerem je naprava izklopljena ali sicer teče, vendar dejansko ni v rabi. Le to lahko obremenitev s tresljaji čez celoten delovni čas znatno zmanjša.

Za zaščito upravljalca pred učinkom tresljajev uvedite dodatne zaščitne ukrepe npr.: Vzdrževanje električnega orodja in orodja, delo s toplimi rokami, organizacija delovnih potekov.

OPOZORILO!

Preberite vsa varnostna opozorila in navodila. Napake zaradi neupoštevanja spodaj navedenih opozoril in napotil lahko povzročijo električni udar, požar in/ali težke telesne poškodbe.

Vsa opozorila in napotila shranite, ker jih boste v prihodnje še potrebovali.

SPECIALNI VARNOSTNI NAPOTKI MAGNETNO JEDRO VRTALNI STROJ

Brezpogojno uporabljajte zaščitne priprave stroja. Uporabite zaščitno opremo. Pri delu s strojem vedno nosite zaščitna očala. Priporočajo se zaščitka oblačila, kot npr. maska za zaščito proti prahu, zaščitne rokavice, trdno in neдрseče obušalo, čelada in zaščita za sluh.

Ne segajte na področje nevarnosti tekočega stroja.

Trske ali iveri se pri tekočem stroju ne smejo odstranjevati.

Ne uporabljajte poškodovanih vsadnih orodij.

Obdelovance varni pritrdite ali vpnite. V izogib nevarnosti poškodb, naj se obdelovavec ne drži z roko.

OPOZORILO! Pri mokrih spojih obstaja nevarnost električnega šoka. Nad glavo in v siceršnjih položajih ne uporabljajte nobene rezalne tekočine, pri katerih bi le ta lahko zašla v motor ali v ohišje stikala.

Zaradi nevarnosti kratkega stika kovinski deli ne smejo zaiti v špranje za prezračevanje.

UPORABA V SKLADU Z NAMEMBOSTJO

Stojalo vrtnalnika lahko uporabljamo pri vrtnanju večjih izvrtin v jeklo in v druge železo vsebujoče materiale.

PRACOVNE POKYNY

MDP 41: Elektromagnetni vrtnali stroj s stojalom se magnetno opriema na 6,35 mm ali debelejših železo vsebujočih materialih. Proximo ne uporabljajte na materialu, ki ima debelino manjšo od 6,35 mm. Magnetni podstavek NE DRŽI na nemagnetnih vrstah plemenitega jekla.

MDE 41: Elektromagnetni vrtni stroj s stojalom se magnetno oprjema na 9,5 mm ali debelejših železo vsebujočih materialih. Proimo ne uporabljajte na materialu, ki ima debelino manjšo od 9,5 mm. Magnetni podstavek NE DRŽI na nemagnetnih vrstah plemenitega jekla. Magnetni podstavek NE DRŽI na nemagnetnih vrstah plemenitega jekla.

Podlaga izpod vrtnega stojala mora biti čista, čvrsta, gladka, suha in brez luknjaj ter laka.

Stojalo vrtnalnika ne izpostavljamo dežju in ne ga vlažimo, ne uporabljamo ga v vlažnih ali eksplozivno nasičenih prostorih.

Med celotnim postopkom izvajamo enakomeren pritisk, da pod rezkalni rob ne padejo odrezki. Zaradi rezkalnega odpadka, ki zaide pod rezkar, lahko rezkalna dela pod določenimi pogoji postanejo težka ali povsem neizvedljiva.

OPOZORILO!

Pri prekomernem učinku sile se magnet sprosti.

Izogibajte se stiku s konicami rezkarja. Konic rezkarja od časa do časa pregledajte glede na sproščene ali poškodovane konice.

Za zagotovitev dolge obratovalne dobe teh rezkarjev se priporoča uporaba rezalne tekočine.

Pri delu na posebnih in navpičnih površinah in pri delu iznad glave, mora biti magnetno vrtno stojalo zavarovano z zraven dobavljenim pasom.

Varnostni pas mora biti nameščen tako, da se bo v primeru izpada magnetna, vrtno stojalo premikalo stran od upravljalca.

Varnostni pas pred vsako uporabo kontroliramo glede na poškodbe in staranje. Ne uporabljajte poškodovanega varnostnega pasu!

Orodje lahko med uporabo postane vroče.

OPOZORILO! Nevarnost opeklin

- pri menjavi orodja
- pri odlaganju naprave

Rezakar odstranite šele tedaj, ko je vstavek izvzet. Nepričakovano lahko pride do njegovega izmeta.

AVTO-STOP

Z AVTO STOP se v primeru presežnega sunkovitega navora na magnet, stroj avtomatsko izklopi. Ugotavljanje in odprava vzroka avtomatske zaustavitve ob upoštevanju varnostnih navodil.

Možni vzroki so lahko:

- Preboj obdelovanega materiala
- Preobremenitev električnega orodja vsled presežnega podajanja
- Nečista površina magnetna

Stroj izklopiti in ponovno vklopiti

ZAŠČITA PRED PONOVNIM ZAGONOM

Vklapljen stroj se po izpadu napetosti več ne zažene. Za nadaljnje delo stroj izklopimo in ponovno vklopimo.

MOTOR/MAGNET-VARNOSTNA ZAPORA

Motor/Magnet-Varnostna zapora je varnostna funkcija, ki preprečuje oskrbo motorjs s tokom, kadar magnet ni v rabi. Ta zapora poskrbi tudi za to, da se magnet ne izklopi, medtem ko motor teče.

OMREŽNI PRIKLJUČEK

Priključite samo na enofazni izmenični tok in samo na omrežno napetost, ki je označena na tipski ploščici. Priključite samo na vtičnice z zaščitnim kontaktom.

Predklopite zaščitno stikalo na diferenčni tok (FI, RCD, PRCD).

Stroj priklopite na vtičnico samo v izklopljenem stanju.

Vedno pazite, da se priključni kabel ne približa področju delovanja stroja. Kabel vedno vodite za strojem.

VZDRŽEVANJE

Pred vsako uporabo napravo, priključni kabel, podaljšek, varnostni pas in vtičnik kontroliramo glede na poškodbe in staranje.

Poškodovane dele damo v popravilo zgolj strokovnjaku.

Pazite na to, da so prezračevalne reže stroja vedno čiste.

Na ozobljenje zobatege letve od časa do časa nakapljamo malo olja. Ležaji podajalnega valja so samomazalni in jih ni dovoljeno oljiti. Drсно površina sani mažemo z Molykote mastjo.

Prah in nečistoče vsakokrat odstranite iz naprave. Ročaj vzdržujte čist, suh in olja ali masti prost. Čistilna sredstva in razredčila so škodljiva za umetne mase in ostale izolirajoče dele, zaradi tega napravo čistite zgolj z blagim milom invlažno krpo. V bližini naprave nikdar ne uporabljajte gorljivih razredčil.

Uporabljajte samo Milwaukee pribor in Milwaukee nadomestne dele. Poskrbite, da sestavne dele, katerih zamenjava ni opisana, zamenjajo v Milwaukee servisni službi (upoštevajte brošuro Garancija aslovi servisnih služb).

Po potrebi se lahko pri vaši servisni službi ali direktno pri Techtronic Industries GmbH naroči eksplozijska risba naprave ob navedbi tipa stroja in številke s tipske ploščice Techtronic Industries GmbH, Max-Eyth-Straße 10, 71364 Winnenden, Germany.

CE-IZJAVA O KONFORMNOSTI

S polno odgovornostjo izjavljamo, da izdelek, opisan pod „Tehnični podatki“ izpolnjuje vse ustrezne določbe direktiv

2011/65/EU (RoHS), 2006/42/ES,

2004/108/ES (do 19 April 2016),

2014/30/EU (od 20 April 2016)

ter da so bili uporabljeni naslednji harmonizirani standardi

EN 55014-1:2006+A1:2009+A2:2011

EN 55014-2:1997 + A1:2001 + A2:2008

EN 61000-3-2:2014

EN 61000-3-3:2013

EN 50581:2012

in standardi

EN 62841-1:2015



Winnenden, 2015-11-25

Alexander Krug / Managing Director

Pooblaščen za izdelavo spisov tehnične dokumentacije.

Techtronic Industries GmbH

Max-Eyth-Straße 10, 71364 Winnenden, Germany



SIMBOLI



POZOR! OPOZORILO! NEVARNO!



Pred vsemi deli na stroju izvlcite vtičač iz vtičnice.



Pri uporabi vrtnega stojala nad glavo, delajte zmeraj v dvoje. V izogib poškodbam hrbta nosite električno orodje zmeraj v paru.



Prosimo, da pred uporabo pozorno preberete to navodilo za uporabo.



Pri delu s strojem vedno nosite zaščitna očala.



Nosite zaščito za sluh!



Nositi zaščitne rokavice



NEVARNO! V izogib nevarnosti poškodb, naj bodo roke, krpe, oblačila itn. na varni razdalji od premičnih delov in odrezkov. Odrezka v nobenem primeru ne odstranjajte medtem, ko se rezkar še vrti. Odrezki imajo otre robove in lahko predmete potegnejo med premične dele.



Nošnja kovinskih delov in ur je prepovedana.



Osebe z vsposodbujevalnikom srca ali drugimi medicinskimi implantati, tega vrtnega stojala ne smejo uporabljati.



Nošnja magnetnih ali elektronskih nosilcev podatkov je prepovedana.



Stroja ne izpostavljajte dežju.



svedri za jedrne izvrtine



Spiralni sveder



Električnih naprav ni dovoljeno odstranjevati skupaj z gospodinjskimi odpadki. Električne in elektronske naprave je potrebno zbirati ločeno in za okolju prijazno odstranitev, oddati podjetju za reciklažo. Pri krajevnem uradu ali vašem strokovnem prodajalcu se pozanimajte glede reciklažnih dvorišč in zbirnih mest.



Električno orodje zaščitnega razreda II. Električno orodje, pri katerem zaščita pred električnim udarom ni odvisna zgolj od osnovne izolacije, temveč tudi od tega, da so uporabljeni dodatni ukrepi, kot dvojna ali okrepljena izolacija. Ni priprave za priključek zaščitnega vodnika.



UkrSEPRO oznaka o skladnosti.

TR 066



EurAsian oznaka o skladnosti.



CE-znak

TEHNIČKI PODACI Magnetska jezgra bušilica	MDE 41	MDP 41
Broj proizvodnje	4523 56 02... 4523 50 02... ... 000001-999999	4523 43 02... ... 000001-999999
Snaga nominalnog prijema	1200 W	1200 W
Broj okretaja praznog hoda 1. Brzina Broj okretaja praznog hoda 2. Brzina	475 min ⁻¹ 730 min ⁻¹	475 min ⁻¹ 730 min ⁻¹
Visina hoda	146 mm	146 mm
Maksimalna snaga magneta	9,93 kN	8,89 kN
ø-bušenja maksimalno sa svrdlom za navojne otvore	41 mm	41 mm
ø-bušenja maksimalno sa punim svrdlom	13 mm	13 mm
Prijem vratila	19 mm Weldon	19 mm Weldon
Težina po EPTA-proceduri 01/2003	13,5 kg	14 kg
Informacije o buci		
Mjerne vrijednosti utvrđene odgovarajuće EN 61029. A-ocijenjeni nivo buke aparata iznosi tipično:		
Nivo pritiska zvuka (Nesigurnost K=3dB(A))	95,0 dB(A)	95,0 dB(A)
Nivo učinka zvuka (Nesigurnost K=3dB(A))	106,0 dB(A)	106,0 dB(A)
Nositi zaštitu sluha!		
Informacije o vibracijama		
Ukupne vrijednosti vibracije (Vektor suma tri smjersu odmjerene odgovarajuće EN 61029)		
Vrijednost emisije vibracije a _n	2,17 m/s ²	2,17 m/s ²
Nesigurnost K=	1,5 m/s ²	1,5 m/s ²



Hrv

UPOZORENIE!

Ova u ovim uputama navedena razina titranja je bila izmjerena odgovarajuće jednom u EN 61029 normiranom mjernom postupku i može se upotrijebiti za usporedbu električnog alata međusobno. Ona je prikladna i za privremenu procjenu titrajnog opterećenja.

Navedena razina titranja reprezentira glavne primjene električnog alata. Ukoliko se električni alat upotrebljava u druge svrhe sa odstupajućim primijenjenim alatima ili nedovoljnim održavanjem, onda razina titranja može odstupati. To može titrajno opterećenje kroz cijeli period rada bitno povisiti.

Za točnu procjenu titrajnog opterećenja se moraju uzeti u obzir i vremena u kojima je uređaj isključen ili u kojima doduše radi, ali nije i stvarno u upotrebi. To može titrajno opterećenje bitno smanjiti za vrijeme cijelog radnog perioda.

Utvrđite dodatne sigurnosne mjere za zaštitu poslužioaca protiv djelovanja titranja kao npr.: Održavanje električnih alata i upotrebljenih alata, održavanje topline ruku, organizacija i radne postupke.



UPOZORENIE!

Pročitajte sigurnosne upute i uputnice. Ako se ne bi poštivala napomene o sigurnosti i upute to bi moglo uzrokovati strujni udar, požar i/ili teške ozljede.

Sačuvajte sve napomene o sigurnosti i upute za buduću primjenu.



SPECIJALNE SIGURNOSNE UPUTE MAGNETSKA JEZGRA BUŠILICA

Bezuvjetno upotrijebiti zaštitnu napravu stroja. Upotrebljavati zaštitnu opremu. Kod radova sa strojem uvijek nositi zaštitne naočale. Preporučuje se zaštitna odjeća, kao zaštitna maska protiv prašine, zaštitne rukavice, čvrste i protiv klizanja sigurne cipele, šljem i zaštitu sluha.

Ne sezati u područje opasnosti radećeg stroja.

Piljevina ili iverje se za vrijeme rada stroja ne smiju odstranjivati.

Ne koristite oštećene radne alate.

Radne predmete sigurno pričvrstiti ili čvrsto zategnuti. Zbog sprječavanja opasnosti od povreda radni komad ne držati rukom. UPOZORENIE! Kod mokrih spojeva postoji opasnost od električnog šoka.

Tekućinu za rezanje ne primijenjivati nadvršno ili na drugim pozicijama na kojima tekućina za rezanje može prodrijeti u motor ili u kućište sklopke.

Zbog opasnosti od kratkog spoja metalni dijelovi ne smiju dospjeti u otvore za prozračivanje.

PROPISNA UPOTREBA

Postolje za bušenje se može upotrijebiti za bušenje velikih bušotina u čeliku ili u drugim metalima koje sadrže željezo.

RADNE UPUTE

MDP 41: Elektromagnetska statorska bušilica prijanja magnetski na 6,35 mm ili na debljem materijalu koji sadrži željezo. Molimo ne primijenjivati na materijalu koji pokazuje manje od 6,35 mm.

Magnetski podnožak NE DRŽI na nemagnetskim vrstama plemenitog čelika.

MDE 41: Elektromagnetska statorska bušilica prijanja magnetski na 9,5 mm ili na debljem materijalu koji sadrži željezo. Molimo ne primijenjivati na materijalu koji pokazuje manje od 9,5 mm. Magnetski podnožak NE DRŽI na nemagnetskim vrstama plemenitog čelika.

Podloga ispod stalka bušilice mora biti čist, čvrst. Ravan, suh i bez rupa i laka.

Postolje za bušenje ne izlagati kiši i ne močiti ga, vlažiti ili upotrebljavati ga u prostorijama ugroženim od eksplozije.

Za vrijeme cijelog postupka vršiti uvijek isti pritisak, kako piljevina ili strugotine bušenja ne bi padale ispod bridova glodanja. Otpatke glodanja koji dospiju ispod glodalice mogu po mogućnosti glodačke radove otežati ili uopće ne izvoditi.

UPOZORENJE!

Kod prekomjernog djelovanja sile, magnet se olabavi.

Kontakt s vrhovima glodalice izbjeci. Vrh glodalice s vremena na vrijeme pregledati u svezi labavosti ili oštećenja vrhova.

Za jamčenje dužeg pogonskog vremena ovih glodala se preporučuje korištenje tekućine za rezanje.

Kod radova na kosim i okomitim površinama i iznad glave mora magnetski stalak bušilice biti osiguran sa isporučnim remenom. Sigurnosni remen mora biti postavljen tako, da se stalak bušilice kod ispada magneta ne kreće prema poslužiocu.

Sigurnosni remen prije svake uporabe kontrolirati u svezi oštećenja i starenja. Defektni sigurnosni remen ne koristiti!

Upotrebljeni alat se može za vrijeme korištenja zagrijati.

UPOZORENJE! Opasnost od opekotina

- kod promjene alata
- kod odlaganja uređaja

Glodalo odstraniti tek kada se izvadio pripremak. Pripremak može neočekivano biti izbačen.

AUTO-STOP

Sa AUTO STOP-om se stroj kod prevelikog povišenja povratne okretne sile na magnetu automatski isključuje. Istražite i otklonite uzrok automatskog zaustavljanja uz poštivanje sigurnosnih uputa.

Mogući uzroci za to mogu biti:

- Proboj materijala koji se obrađuje
- Preopterećenje električnog alata kroz preveliko pomicanje
- Nečista magnetska površina

Stroj isključiti i ponovno uključiti

ZAŠTITA PROTIV PONOVOG POKRETANJA

Uključeni stroj poslije ispada napona više ne starta ponovno. Da bi se radilo dalje, stroj isključiti i ponovno uključiti.

MOTOR/MAGNET-SIGURNOSNO BLOKIRANJE

Motor/Magnet-blokada je jedna sigurnosna karakteristika koje sprječava da se motor bušilice opskrbljuje strujom, ako magnet nije aktiviran. Blokada se brine za to da se magnet ne isključi za vrijeme dok motor radi.

PRIKLJUČAK NA MREŽU

Priključiti samo na jednofaznu naizmjeničnu struju i samo na napon struje naveden na pločici snage. Priključiti samo na utičnice sa zaštitnim kontaktom.

Predspojite zaštitnu sklopku struje kvara (FI, RCD, PRCD).

Samo isključeni stroj priključiti na utičnicu.

Priključni kabel uvijek držati udaljenim sa područja djelovanja. Kabel uvijek voditi od stroja prema nazad.

ODRŽAVANJE

Prije svake uporabe uređaj, priključni kabel, produžni kabel i utikač kontrolirati u svezi oštećenja i starenja. Oštećene dijelove dati popraviti jednom stručnjaku.

Prореze za prozračivanje stroja uvijek držati čistima.

Na ozubljenje ozupčane šipke sa vremena na vrijeme staviti par kapi ulja. Ležaji vratila smicanja su samopodmazivački i ne smiju se mazati uljem. Klizne površine saonica podmazivati sa Molykote mašću.

Prašinu i prljavštinu uvijek odstraniti s uređaja. Ručku držati čistom, suhom i bez ulja ili masnoća. Sredstva za čišćenje i otapala su štetna za plastiku i druge izolirajuće dijelove, stoga uređaj čistiti samo blagim sapunom i jednom vlažnom krpom. Nemojte nikada upotrebljavati goriva otapala u blizini uređaja.

Primijeniti samo Milwaukee opremu i Milwaukee rezervne dijelove. Sastavne dijelove, čija zamjena nije opisana, dati zamijeniti kod jedne od Milwaukee servisnih službi (poštivati brošuru Garancija/ Adrese servisa).

Po potrebi se može zatražiti crtež eksplozije aparata uz davanje podataka o tipu stroja i desetoznamenkastog broja na pločici snage kod Vaše servisne službe ili direktno kod Techtronic Industries GmbH, Max-Eyth-Straße 10, 71364 Winnenden, Germany.

CE-IZJAVA KONFORMNOSTI

Izjavljujemo pod vlastitom odgovornošću da proizvod opisan u odjeljku „Tehnički podaci“ ispunjava sve potrebne odredbe smjernica

2011/65/EU (RoHS), 2006/42/EC,
2004/108/EC (do 19. Travanj 2016),
2014/30/EU (od 20. Travanj 2016)
i da su korišteni sljedeći usklađeni standardi

EN 55014-1:2006+A1:2009+A2:2011
EN 55014-2:1997+A1:2001+A2:2008
EN 61000-3-2:2014
EN 61000-3-3:2013
EN 50581:2012
i standardi
EN 62841-1:2015



Winnenden, 2015-11-25

Alexander Krug / Managing Director
Ovlašten za formiranje tehničke dokumentacije.

Techtronic Industries GmbH
Max-Eyth-Straße 10, 71364 Winnenden, Germany



SIMBOLI



PAŽNJA! UPOZORENIE! OPASNOST!



Prije radova na stroju izvući utikač iz utičnice.



Kod uporabe stalka bušilice iznad glave radite uvijek udvoje. Električni alat nositi uvijek udvoje da bi se izbjegle povrede leđa.



Molimo da pažljivo pročitate uputu o upotrebi prije puštanja u rad.



Kod radova na stroju uvijek nositi zaštitne naočale.



Nositi zaštitu sluha!



Nositi zaštitne rukavice!



OPASNOST! Zbog izbjegavanja opasnosti od povreda, ruke, krpe, odjeću itd. uvijek držati na sigurnom razmaku od pokretnih dijelova i piljevine. Piljevinu ni u kome slučaju ne odstranjivati za vrijeme dok se glodalo vrti. Piljevine imaju oštre bridove i mogu predmete povlačiti u pokretne dijelove.



Nosjenje metalnih dijelova i satova je zabranjeno.



Osobe sa stimulatorom srčanog ritma ili drugima medicinskim implantatima ovaj stalak bušilice ne smiju koristiti.



Nosjenje sa sobom magnetskih ili elektronski nosioca podataka je zabranjeno.



Stroj ne izlagati kiši.



Svrdo za navohne otvore



Puno svrdlo



Električni uređaji se ne smiju zbrinjavati skupa sa kućnim smećem. Električni uređaji se moraju skupljati odvojeno i predati na zbrinjavanje primjereno okolišu jednom od pogona za iskorišćavanje. Raspitajte se kod mjesnih vlasti ili kod stručnog trgovca u svezi gospodarstva za recikliranje i mjesta skupljanja.



Električni alat zaštitne kategorije II. Električni alat, čija zaštita od jednog električnog udara ne zavisi samo od osnovne izolacije, već i od toga, da se primijene dodatne zaštitne mjere, kao što su dvostruka izolacija ili pojačana izolacija. Ne postoji nikakva naprava za priključak nekog zaštitnog voda.

 Oznaka-CE



UkrSEPRO znak konformnosti.

TR 066



EurAsian znak konformnosti.



TEHNISKIE DATI Urbjmašīna ar magnētisko uzgali	MDE 41	MDP 41
Izlaides numurs	4523 56 02... 4523 50 02... ... 000001-999999	4523 43 02... ... 000001-999999
Nominālā atdotā jauda	1200 W	1200 W
Tukšgaitas apgriezienu skaits 1. ātrums Tukšgaitas apgriezienu skaits 2. ātrums	475 min ⁻¹ 730 min ⁻¹	475 min ⁻¹ 730 min ⁻¹
Gājienu augstums	146 mm	146 mm
Maks. magnēta spēks	9,93 kN	8,89 kN
Urbja maks. ø urbjo ar gredzena urbi	41 mm	41 mm
Urbja maks. ø urbjo ar parasto urbi	13 mm	13 mm
Varpstas urbja ievietošanas ligzda	19 mm Weldon	19 mm Weldon
Svars atbilstoši EPTA -Procedure 01/2003	13,5 kg	14 kg
Trokšņu informācija Vērtības, kas noteiktas saskaņā ar EN 61029. A novērtētās aparatūras skaņas līmenis ir:		
Trokšņa spiediena līmenis (Nedrošība K=3dB(A)) Trokšņa jaudas līmenis (Nedrošība K=3dB(A))	95,0 dB(A) 106,0 dB(A)	95,0 dB(A) 106,0 dB(A)
Nēsāt trokšņa slāpētāju!		
Vibrāciju informācija Svārstību kopējā vērtība (Trīs virzienu vektoru summtiek noteikta atbilstoši EN 61029.		
svārstību emisijas vērtība a _h Nedrošība K=	2,17 m/s ² 1,5 m/s ²	2,17 m/s ² 1,5 m/s ²



UZMANĪBU!

Instrukcijai norādītā svārstību robežvērtība ir izmērīta mērījumu procesā, kas veikts atbilstoši standartam EN 61029, un to var izmantot elektroinstrumentu savstarpējai salīdzināšanai. Tā ir piemērota arī svārstību noslogojuma pagaidu ievērošanai.

Norādītā svārstību robežvērtība ir reprezentatīva elektroinstrumenta pamata pielietojuma jomām. Tomēr, ja elektroinstrumenti tiek pielietoti citās jomās, papildus izmantojot neatbilstošus elektroinstrumentus vai pēc nepietiekamas tehniskās apkopes, tad svārstību robežvērtība var atšķirties. Tas var ievērojami palielināt svārstību noslogojumu visa darba laikā.

Precīzai svārstību noslogojuma noteikšanai, ir jāņem vērā arī laiks, kad ierīces ir izslēgta vai arī ir ieslēgta, tomēr faktiski netiek lietota. Tas var ievērojami samazināt svārstību noslogojumu visa darba laikā.

Integrējiet papildus drošības pasākumus pret svārstību ietekmi lietotājam, piemēram: elektroinstrumentu un darba instrumentu tehniskā apkope, roku siltuma uzturēšana, darba procesu organizācija.

⚠ UZMANĪBU!

Izlasiet visu drošības instrukciju un lietošanas pamācību klāt. Šeit sniegto drošības noteikumu un norādījumu neievērošana var izraisīt aizdegšanos un būt par cēloni elektriskajam triecienam vai nopietnam savainojumam.

Pēc izlasīšanas uzglabājiet šos noteikumus turpmākai izmantošanai.

⚠ SPECIĀLIE DROŠĪBAS NOTEIKUMI URBJMAŠĪNA AR MAGNĒTISKO UZGALI

Noteikti vajag izmantot mašīnai paredzēto aizsargaprīkojumu. Jāizmanto aizsargaprīkojums. Strādājot ar mašīnu, vienmēr jānēsā aizsargbrilles. Ieteicams nēsāt aizsargapģērbu, kā piemēram, aizsargmasku, aizsargcimdus, kurpes no stingra un neslidīga materiāla, ķiveri un ausu aizsargus.

Nelikt rokas mašīnas darbības laukā.

Skaidas un atlūzas nedrīkst ņemt ārā, kamēr mašīna darbojas. Neizmantojiet bojātus darbinstrumentus.

Apstrādājāmās detaļas vajag cieši nostiprināt vai nostiprināt ar spīlēm. Lai izvairītos no savainošanās, apstrādājamo materiālu nevajadzētu turēt rokās.

UZMANĪBU! Ja savienojumi ir slapi/mitri, pastāv iespēja saņemt elektrotraumu.

Neizmantojot griešanas šķidrums, ja tiek izmantota darba pozīcija virs galvas vai kāda cita pozīcija, izmantojot kuru griešanas šķidrums varētu iekļūt motorā vai slēdžu korpusā.

Sakarā ar to, ka var izraisīt isslēdzienu, dzesēšanas atverēs nedrīkst iekļūt nekādi metāla priekšmeti.

NOTEIKUMIEM ATBILSTOŠS IZMANTOJUMS

Urbja statni var lietot lielu urbumu veikšanai teraudos un citos dzelzi saturošos materiālos.

DARBA NORĀDĪJUMI

MDP 41: Elektromagnētiskā stacionārā urbjmašīna magnētiski piestiprinās pie vismaz 6,35 mm bieza dzelzi saturoša materiāla.

Latviski

Neizmantot uz materiāliem, kas ir plānāki par 6,35 mm. Magnētiskā ligzda NETURAS pie nemagnētiskiem nerūšējošā tērauda veidiem.

MDE 41: Elektromagnētiskā stacionārā urbjmašīna magnētiski piestiprinās pie vismaz 9,5 mm bieza dzelzi saturoša materiāla. Neizmantot uz materiāliem, kas ir plānāki par 9,5 mm. Magnētiskā ligzda NETURAS pie nemagnētiskiem nerūšējošā tērauda veidiem.

Pamatnei zem urbjmašīnas statīva jābūt tīrai, stabilai, līdzenei, sausai un bez caurumiem un krāsas/lakas kārtas.

Urbja statni nedrīkst pievienot kad list lietus un nedrīkst lietot mitras, slapjas vai eksplozijas bīstamas telpas.

Visas procedūras laikā izdarīt vienmērīgu spiedienu, lai zem frēzēšanas malām nepakļūtu skaidas vai urbsānas pārpalikumi. Zem frēzes pakļuvušie urbsānas pārpalikumi frēzēšanas darbus noteiktos apstākļos var padarīt ļoti sarežģītus vai pat neiespējamus.

UZMANĪBU!

Prielietojot pārāk lielu spēku, magnēts atlaižas.

Izsvārtības no saskares ar griešanas virsmas galiem. Ik pa laikam pārbaudīt vai griešanas galvā nav vaļīgi vai bojāti asmeņi.

Lai nodrošinātu šo griešanas instrumentu ilgmūžību, iesakām izmantot griešanas šķidrumu.

Veicot darbus uz slīpām un vertikālām virsmām, kā arī virs galvas, magnētiskais urbjmašīnas statīvs jānodrošina ar komplektā iekļautajām siksnām.

Drošības siksnas jāuzstāda tā, lai magnēta atteices gadījumā urbjmašīnas statīvs kustas prom no operatora.

Pirms katras izmantošanas reizes pārbaudīt, vai siksnām nav radušies bojājumi un vai tās nav nolietojušās. Bojātas drošības siksnas izmantot aizliegts!

Izmantojamais darba rīks darba gaitā var stipri sakarst.

UZMANĪBU! Bīstamība apdedzināties

- veicot darba rīka nomainīšanu
- noliekot iekārtu

Noņemt frēzi tikai tad, kad ir izņemta sagatave. Sagatave var negaidīti izkrist.

AUTOMĀTISKĀ APSTĀŠANĀS

Ar funkciju AUTO STOP iekārta tiek automātiski izslēgta, ja tiek pārsniegtas pieļaujama neviensmērīga griezes moments uz magnētu. Noskaidrojiet un novērsiet automātiskās apstāšanās iemeslu, ievērojot drošības norādes.

Automātiskās apstāšanās iespējamie iemesli:

- Apstrādājamā materiāla caurbūšana
- Elektroinstrumenta pārslodze, izdarot uz to pārāk lielu spiedienu
- Netīra magnēta virsma

Izslēdziet un atkal ieslēdziet iekārtu

AIZSARDZĪBA PRET ATKĀRTU PALAIŠĀNU

Ja pazūd strāva, iekārta pēc tās atgriešanās vairs neieslēdzas. Izslēdziet un atkal ieslēdziet iekārtu.

MOTORA/MAGNĒTA DROŠĪBAS BLOKĒTĀJS

Motora/magnēta drošības bloķētājs ir drošības aprikojums, kas nodrošina to, ka urbjmašīnas motoram netiek padota elektrība, ja netiek darbināts magnēts. Šis bloķētājs nodrošina arī to, lai magnēts netiktu atslēgts laikā, kamēr darbojas motors.

TĪKLA PIESLĒGUMS

Pieslēgt tikai vienpola maiņstrāvas tīklam un tikai spriegumam, kas norādīts uz jaudas paneļa. Pieslēgt tikai kontaktligzdām ar aizsargkontaktiem.

Iepriekš pievienojiet paliekošās strāvas ierīci (FI, RCD, PRCD.

Mašīnu pievienot kontaktligzdai tikai izslēgtā stāvoklī.

Pievienojuma kabeli vienmēr turēt atstātos no mašīnas darbības lauka. Kabelim vienmēr jāatrodas aiz mašīnas.

APKŪPE

Pirms katras iekārtas izmantošanas reizes pārbaudīt vai strāvas kabeli, pagarinātāji un drošības siksnas nav bojātas vai nolietojušās. Bojātas detaļas drīkst remontēt tikai profesionālis.

Vajag vienmēr uzmanīt, lai būtu tīras dzesēšanas atveres.

Laiku pa laiku uz zobstiena uzpiliņiet dažus pilienus eļļas.

Padeves varstas gultnis ir pašmērojams un to nav jāelļo. Sliežu slidvirsmas jasmere ar Molykote smeri.

Notīriet no iekārtas putekļus un citus gružus. Uzturiet iekārtas rokturi tīru, sausu un netaukainu. Iekārtas tīrīšanai izmantojiet maigas ziepes un mitru lupatīņu, jo daži tīrīšanas līdzekļi un šķīdinātāji ir kaitīgi plastmasas un citām izolētām daļām. Iekārtas tuvumā nekad nelietojiet uzliesmojošus vai ugunsnedrošus šķīdinātājus.

Izmantojiet tikai firmu Milwaukee piederumus un firmas Milwaukee rezerves daļas. Lieciet nomainīt detaļas, kuru nomainā nav aprakstīta, kādā no firmu Milwaukee klientu apkalpošanas servisiem. (Skat. brošūru „Garantija/klientu apkalpošanas serviss“.)

Ja nepieciešams, klientu apkalpošanas servisā vai tieši pie firmas Techtronic Industries GmbH, Max-Eyth-Straße 10, 71364 Winnenden, Germany, var pieprasīt instrumenta numurs, kas norādīts uz jaudas paneļa.

ATBILSTĪBA CE NORMĀM

Mēs ar pilnu atbildību paziņojam, ka izstrādājums, kas raksturots sadaļā „Tehniskie dati“, atbilst visām attiecīgajām prasībām direktīvās

2011/65/EU (RoHS), 2006/42/EK, 2004/108/EK (līdz 19. Aprīlis 2016), 2014/30/EU (no 20. Aprīlis 2016) un ir piemēroti šādi saskaņotie standarti

EN 55014-1:2006+A1:2009+A2:2011
EN 55014-2:1997+A1:2001+A2:2008
EN 61000-3-2:2014
EN 61000-3-3:2013
EN 50581:2012
un standarti
EN 62841-1:2015



Winnenden, 2015-11-25

Alexander Kug / Managing Director
Pilnvarotais tehniskās dokumentācijas sastādīšanā.

Techtronic Industries GmbH
Max-Eyth-Straße 10, 71364 Winnenden, Germany



Lat

SIMBOLI



UZMANĪBU! BĪSTAMI!



Pirms jebkādiem darbiem, kas attiecas uz mašīnas apkopi, mašīnu noteikti vajag atvienot no kontaktligzdas.



Izmantojot urbjmašīnu pozīcijā virs galvas, vienmēr strādājiet divatā. Elektroinstrumentu vienmēr pārvietojiet divatā, lai izvairītos no muguras savainojumiem.



Pirms sākt lietot instrumentu, lūdzu, izlasiet lietošanas pamācību.



Strādājot ar mašīnu, vienmēr jānēsā aizsargbrilles.



Nēsāt trokšņa slāpētāju!



Jāvalkā aizsargcimdi!



BĪSTAMI! Lai izvairītos no savainošanās iespējām, turiet rokas, lupatiņas, apgērbu u.c. Drošā attālumā no kustīgajām detaļām un skaidām. Nekādā gadījumā nenovāciet skaidas, kamēr frēze vēl darbojas. Skaidām ir asas malas un tās var ievilkāt priekšmetus kustīgajās detaļās.



Nedrīkst ņemt līdzi metāla detaļas un pulksteņus.



Šo iekārtu nedrīkst izmantot personas ar elektrokardiostimulatoru un citiem medicīniskiem implantiem.



Iekārtas tuvumā aizliegts atrasties magnētiskajiem vai elektromagnētiskajiem datu nesējiem.



Ierīci sargājiet no lietus.



Kroņurbis



Pilna izmēra urbis



Elektroiekārtas nedrīkst izmest kopā ar sadzīves atkritumiem. Elektriskās un elektroniskās iekārtas ir jāsavāc atsevišķi un jānodod pārstrādes uzņēmumam, kas no tām atbrīvosies dabai draudzīgā veidā. Meklējiet otrreizējās pārstrādes poligonus un savākšanas punktus vietējās pārvaldes iestādēs vai pie preces pārdevēja.



II aizsardzības klases elektroinstrumenti. Elektroinstrumenti, kuram aizsardzība pret elektrisko triecienu ir atkarīga ne tikai no pamata izolācijas, bet arī no tā, ka tiek piemēroti papildu aizsardzības pasākumi, piemēram, dubultā izolācija vai pastiprināta izolācija. Aizsarga pieslēgšanai instrumenti nav paredzēti.



UkrSEPRO atbilstības marķējums.



EurAsian atbilstības marķējums.



CE marķējums

Latviski

TECHNINIAI DUOMENYS Magnetinė gręžimo mašina	MDE 41	MDP 41
Produkto numeris	4523 56 02... 4523 50 02... ... 000001-999999	4523 43 02... ... 000001-999999
Vardinė imamoji galia	1200 W	1200 W
Sūkių skaičius laisva eiga 1. pavara Sūkių skaičius laisva eiga 2. pavara	475 min ⁻¹ 730 min ⁻¹	475 min ⁻¹ 730 min ⁻¹
judesio aukštis	146 mm	146 mm
Maks. magneto jėga	9,93 kN	8,89 kN
Maks. grąžto ø, tuščiaaviduris grąžtas	41 mm	41 mm
Maks. grąžto ø, pilnas grąžtas	13 mm	13 mm
Suklio lizdas	19 mm Weldon	19 mm Weldon
Prietaiso svoris įvertintas pagal EPTA 2003/01 tyrimų metodiką	13,5 kg	14 kg
Informacija apie keliamą triukšmą Vertės matuotos pagal EN 61029. Įvertintas A įrenginio keliamo triukšmo lygis dažniausiai sudaro:		
Garso slėgio lygis (Paklaida K=3dB(A))	95,0 dB(A)	95,0 dB(A)
Garso galios lygis (Paklaida K=3dB(A))	106,0 dB(A)	106,0 dB(A)
Nešioti klausos apsaugines priemones!		
Informacija apie vibraciją Bendroji svyravimų reikšmė (trijų krypčių vektorių suma), nustatyta remiantis EN 61029.		
Vibravimų emisijos reikšmė a _v Paklaida K=	2,17 m/s ² 1,5 m/s ²	2,17 m/s ² 1,5 m/s ²



DĖMESIO!

Instrukcijoje nurodyta svyravimų ribinė vertė yra išmatuota remiantis standartu EN 61029; ji gali būti naudojama keliems elektriniams instrumentams palyginti. Ji taikoma ir laikinai įvertinti svyravimų apkrovą.

Nurodyta svyravimų ribinė vertė yra taikoma pagrindinėse elektrinio instrumento naudojimo srityse. Svyravimų ribinė vertė gali skirtis naudojant elektrinį instrumentą kitose srityse, papildomai naudojant netinkamus elektrinius instrumentus arba juos nepakankamai techniškai prižiūrint. Dėl to viso darbo metu gali žymiai padidėti svyravimų apkrova.

Siekiant tiksliai nustatyti svyravimų apkrovą, būtina atsivelti ir į laikotarpį, kai įrenginys yra išjungtas arba įjungtas, tačiau faktiškai nenau-
dojamas. Dėl to viso darbo metu gali žymiai sumažėti svyravimų apkrova.

Siekiant apsaugoti vartotojus nuo svyravimo įtakos naudojamoms papildomoms saugos priemonėms, pavyzdžiui, elektrinių darbo instrumentų techninė priežiūra, rankų šilumos palaikymas, darbo procesų organizavimas.



DĖMESIO!

Perskaitykite visas saugumo pastabas ir nurodymus. Jei nepaisysite žemiau pateiktų saugos nuorodų ir reikalavimų, gali trenkti elektros smūgis, kilti gaisras ir/arba galite sunkiai susižaloti arba sužaloti kitus asmenis.

Išsaugokite šias saugos nuorodas ir reikalavimus, kad ir ateityje galėtumėte jais pasinaudoti.



YPATINGOS SAUGUMO NUORODOS MAGNETINĖ GRĖŽIMO MAŠINA

Būtinai naudokite įrenginio saugos įtaisus. Dėvėkite apsaugines priemones. Dirbdami su mašina visada užsidėkite apsauginius akinius. Rekomenduojama dėvėti apsaugines priemones: apsaugos nuo dulkių respiratorius, apsaugines pirštines, kietus batus neslidžiais padais, šalną ir klausos apsaugines priemones.

Nekiskite rankų į veikiančio įrenginio pavojaus zoną.

Draudžiama išiminėti drožles ar nuopjovas, įrenginiui veikiant.

Nenaudokite pažeistų darbo įrankių.

Apdorojamas detalės saugiai įtvirtinkite ar įverkite. Siekiant išvengti sužalojimų, darbo įrankio negalima laikyti rankomis.

DĖMESIO! Jeigu yra drėgnų siūlių, kyla elektros smūgio pavojus. Pjovimo skysčio nenaudokite dirbdami virš galvos arba kitose padėtyse, kad pjovimo skystis nepatektų į variklį arba jungiklio korpusą.

Saugokite, kad metalinės dalys nepatektų į vėdinimo angas – trumpojo jungimo pavojus.

NAUDOJIMAS PAGAL PASKIRTĮ

Gręžtuvo stovas gali būti naudojamas didelėms kiaurymėms pliene ir kituose metaluose, kurių sudėtyje yra geležies, gręžti.

DARBO NUORODOS

MDP 41: Elektromagnetinės gręžimo staklės magnetiškai prikimba prie 6,35 mm arba storesnių medžiagų, kurių sudėtyje yra metalo. Nenaudokite su medžiagomis, kurių storis mažesnis nei 6,35 mm. Magnetinis kolkolis NESILAIKO ant nemagnetinių nerūdijančio plieno rūšių.

MDE 41: Elektromagnetinės gręžimo staklės magnetiškai prikimba prie 9,5 mm arba storesnių medžiagų, kurių sudėtyje yra metalo. Nenaudokite su medžiagomis, kurių storis mažesnis nei 9,5 mm. Magnetinis cokolis NESILAIKO ant nemagnetinių nerūdijančio plieno rūšių.

Pagrindas po grąžto stovų turi būti švarus, tvirtas, lygus, sausas, be skylių ir lako.

Saugokite gręžtuvo stovą nuo lietaus ir nedirbkite šlapioje, drėgnoje ar sprogioje aplinkoje.

Viso proceso metu palaikykite tokį patį slėgį, kad po frezuojamais kraštais nekristų drožlės arba atplaišos. Dėl frezavimo atliekų, krentančių po freza, frezavimo darbai gali būti apskinkinti arba iš viso negali būti vykdomi.

DĖMESIO!

Esant per didelei jėgai, magnetas atsilaisvina.

Venkite kontakto su frezos galiuku. Retkarčiais patikrinkite, ar galiukas neatsilaisvines arba nepažeistas.

Siekiant užtikrinti ilgesnį frezos eksploatavimą, rekomenduojama naudoti pjovimo skystį.

Dirbant su skersais ir vertikaliais paviršiais ir virš galvos, elektromagnetinis grąžto stovas turi būti pritvirtintas kartu pristatytu diržu. Saugos diržas turi būti pritvirtinamas taip, kad, nebeveikiant magnetui, grąžto stovas judėtų nuo naudotojo.

Prieš kiekvieną naudojimą būtina patikrinti, ar nepažeistas ir nenusidėjęs saugos diržas. Nenaudokite pažeistų saugos diržų!

Naudojamas įstatomasis įrankis gali įkaisti.

DĖMESIO! Pavojus nusidėginti

- keičiant įrankį
- padedant prietaisą

Frezą išimkite tik tuomet, jeigu buvo išimtas ruošinys. Ruošinys neplanuotai gali būti išmestas.

AUTOMATINIO SUSTABDYMO FUNKCIJA AUTO STOP

Su AUTO STOP funkcija, esant per stipriai trūkčiojančiai sukimo jėgai, veikiančiai elektromagnetą, įrenginys automatiškai išjungiamas. Laikydami saugumo nurodymų, nustatykite ir pašalinkite automatinio sustabdymo priežastį.

Galimos priežastys:

- Apdirbamos medžiagos lūžimas
- Elektros įrankio perkrova dėl per didelės pastūmos
- Nešvarus elektromagneto paviršius

Išjunkite ir vėl įjunkite įrenginį

APSAUGA NUO PAKARTOTINIO ĮSIJUNGIMO

Dingus elektros energijai, įrenginys vėl neįsijungia. Norėdami dirbti toliau, išjunkite ir vėl įjunkite įrenginį.

ELEKTROMAGNETINIS VARIKLIO UŽRAKTAS

Elektromagnetinis variklio užraktas saugumo priemonė, neleidžianti į grąžto variklį tiekti energiją, jeigu nevaldomas elektromagnetas. Šis užraktas taip pat užtikrina, kad elektromagnetas nebūtų išjungtas variklio veikimo metu.

ELEKTROS TINKLO JUNGTIJS

Jungti tik prie vienfazės kintamos elektros srovės ir tik į specifikacijų lentelėje nurodytos įtamos elektros tinklą. Jungti tik į lizdus su apsauginiu kontaktu.

Prijunkite liekamiosios srovės prietaisą (FI, RCD, PRCD).

Kištuką į lizdą įstatykite, tik kai įrenginys išjungtas.

Maitinimo kabelis turi nebūti įrenginio poveikio srityje. Kabelį visada nuveskite iš galinės įrenginio pusės.

TECHNINIS APTARNAVIMAS

Prieš kiekvieną naudojimą būtina patikrinti, ar nepažeistas ir nenusidėjęs jungties kabelis, ilginamasis kabelis, saugos diržas ir kištukas. Pažeistas dalis gali remontuoti tik specialistas.

Įrenginio vėdinimo angos visada turi būti švarios.

Laikas nuo laiko užšalinkite ant krumplystiebio krumplių keletą lašų alyvos. Pastūmos veleno guolis yra savitepis ir jo tepti negalima. Vežimėlio slysties paviršius tepkite „Molykote“ tepalu.

Nuo prietaiso nuolat valykite dulkes ir nešvarumus. Rankena turi būti švari, sausa ir nesutepta alyva ar tepalu. Valymo priemonės ir tirpikliai kenkia plastmasei ir izoliuojančioms detalėms, todėl prietaisą valydami naudokite tik švelnų muilą ir drėgną pašluostę. Niekada nesisnaudokite degiais tirpikliais būdami šalia prietaiso.

Naudokite tik „Milwaukee“ priedus ir „Milwaukee“ atsargines dalis. Dalis, kurių keitimas neprašytas, leidžiama keisti tik „Milwaukee“ klientų aptarnavimo skyriams (žr. garantiją/klientų aptarnavimo skyrių adresus brošiūroje).

Jei reikia, nurodant įrenginio tipą bei specifikacijų lentelėje esantį numerį, iš klientų aptarnavimo skyriaus arba tiesiai iš Techtronic Industries GmbH, Max-Eyth-Straße 10, 71364 Winnenden, Germany, galima užsisakyti prietaiso surinkimo brėžinius.

CE ATITIKTIES PAREIŠKIMAS

Prisiimdami visą atsakomybę pareiškiame, kad gaminys, aprašytas „Techniuse duomenyse“, atitinka taikomus reikalavimus, išdėstytus direktyvose

2011/65/EU (RoHS), 2006/42/EB, 2004/108/EB (iki 19 Balandis 2016), 2014/30/EU (nuo 20 Balandis 2016) ir buvo taikyti šie darnieji standartai

EN 55014-1:2006+A1:2009+A2:2011
EN 55014-2:1997+A1:2001+A2:2008

EN 61000-3-2:2014

EN 61000-3-3:2013

EN 50581:2012

bei standartai

EN 62841-1:2015



Winnenden, 2015-11-25

Alexander Krug / Managing Director
Įgaliojtas parengti techninius dokumentus.

Techtronic Industries GmbH

Max-Eyth-Straße 10, 71364 Winnenden, Germany



SIMBOLIAI



DĖMESIO! ĮSPĖJIMAS! PAVOJUS!



Prieš atlikdami bet kokius įrenginyje, ištraukite iš lizdo kištuką.



Jeigu grąžo laikiklis naudojamas virš galvos, dirbkite dviese. Elektros įrankį visada neškite dviese, kad išvengtumėte nugaros pažeidimų.



Prieš pradėdami dirbti su prietaisu, atidžiai perskaitykite jo naudojimo instrukciją.



Dirbdami su įrenginiu visada nešiokite apsauginius akinius.



Nešioti klausos apsaugines priemones!



Lietojiet aizsardzības cimdus!



PAVOJUS! Kad išvengtumėte sužalojimų, rankas, šluostes, rūbus ir t. t. laikykite saugiu atstumu nuo judančių dalių ir drožlių. Jokių būdu drožlių nešalinkite tuo metu, kol freza dar sukasi. Drožlių kraštai labai aštrūs ir gali įtraukti daiktus tarp judančių dalių.



Draudžiama kartu su savimi turėti metalinių daiktų ir laikrodžių.



Asmenys su širdies stimulatoriais arba kitais medicininiais implantuojamaisiais prietaisais negali naudoti šio grąžo laikiklio.



Draudžiama kartu su savimi turėti elektromagnetinių arba elektroninių duomenų laikmenų.



Įrenginį saugoti nuo lietaus.



Gręžimo karūna



Grąžtas



Elektros prietaisų negalima išmesti kartu su buitinėmis atliekomis. Būtina rūšiuoti elektros ir elektroninius prietaisus ir atiduoti j atliekų perdirbimo centrą, kad jie būtų utilizuoti netersiant aplinkos. Informacijos apie perdirbimo centrus ir atliekų surinkimo įstaigas teiraukitės vietos įstaigoje arba prekybininko.



II apsaugos klasės elektrinis įrankis. Šio elektrinio įrankio apsauga nuo elektros smūgio priklauso ne tik nuo pagrindinės izoliacijos, bet ir nuo to, kaip naudojamos papildomos apsauginės priemonės, tokios kaip dviguba arba pagerinta izoliacija. Nėra jokio prietaiso apsauginio laido pajungimui.



„UkrSEPRO“ atitikties ženklas.

TR 066



„EurAsian“ atitikties ženklas.



CE ženklas

TEHNILISED ANDMED Magnetsüdamik-puurmasin	MDE 41	MDP 41
Tootmisnumber	4523 56 02... 4523 50 02... ... 000001-999999	4523 43 02... ... 000001-999999
Nimitarbimine	1200 W	1200 W
Pöörlemiskiirus tühjooksul 1. käik Pöörlemiskiirus tühjooksul 2. käik	475 min ⁻¹ 730 min ⁻¹	475 min ⁻¹ 730 min ⁻¹
Käigu kõrgus	146 mm	146 mm
Max magnetjõud	9,93 kN	8,89 kN
Puuri ø max südamikupuuriga	41 mm	41 mm
Puuri ø max täispuuriga	13 mm	13 mm
Spindli kinnitus	19 mm Weldon	19 mm Weldon
Kaal vastavalt EPTA-protseduurile 01/2003	13,5 kg	14 kg
Müra andmed Mööteväärtused on kindlaks tehtud vastavalt normile EN 61029. Seadme tüüpiline hinnanguline (müratase: Helirõhutase (Määramatus K=3dB(A)) Helivõimsuse tase (Määramatus K=3dB(A)) Kandke kaitseks kõrvaklappe!		
Vibratsiooni andmed Vibratsiooni koguväärtus (kolme suuna vektorsummamöödetud EN 61029 järgi). Vibratsiooni emissiooni väärtus a _h Määramatus K=		
	2,17 m/s ² 1,5 m/s ²	2,17 m/s ² 1,5 m/s ²



TÄHELEPANU!

Antud juhendis toodud vonketase on mõõdetud EN 61029 standardile vastava mõotesüsteemiga ning seda võib kasutada erinevate elektriseadmete omavahelises võrdlemises. Antud näitaja sobib ka esmaseks vonkekoormuse hindamiseks.

Antud vonketase kehtib elektriseadme kasutamisel sihtotstarbeliselt. Kui elektriseadet kasutatakse muudel otstarvetel, muude tööriistadega või seda ei hooldata piisavalt võib vonketase siintoodust erineda. Eeltoodu võib vonketaset märkimisväärselt tõsta terves töökeskkonnas.

Vonketaseme täpseks hindamiseks tuleks arvestada ka aega, mil seade on välja lülitatud või on küll sisse lülitatud, kuid ei ole otseselt kasutuses. See võib märgatavalt vähendada kogu töökeskkonna vonketaset.

Rakendage spetsiaalseid ettevaatusabinõusid töötajate suhtes, kes puutuvad töö käigus palju kokku vibratsiooniga. Nendeks abinõudeks võivad olla, näiteks: elektri- ja tööseadmete korraline hooldus, käte soojendamine, töövoo parem organiseerimine.

⚠ TÄHELEPANU!

Lugege kõik ohutusnõuanded ja juhendid läbi. Ohutusnõuete ja juhiste eiramise tagajärjeks võib olla elektrilöök, tulekahju ja/või raske vigastus.

Hooldke kõik ohutusnõuded ja juhised edasiseks kasutamiseks hoolikalt alles.

⚠ SPETSIAALSED TURVAJUHISED MAGNETSÜDAMIK-PUURMASIN

Kasutage tingimata masina kaitseesadist. Kasutada kaitsevarustust. Masinaga töötamisel kanda alati kaitseprille. Kaitseriieetusena soovitatakse kasutada tolumumaski kaitsekindaid, kinniseid ja libisemisvastase tallaga jalanõusid, kiivrit ja kuulmisteede kaitset.

Ärge pange kätt töötava masina ohupiirkonda.

Puru ega pilpaid ei tohi eemaldada masina töötamise ajal.

Ärge kasutage vigastatud varvikuid.

Kinnitage toorikud turvaliselt. Vigastuste vältimiseks töödeldavaid detaile mitte käes hoida.

TÄHELEPANU! Märgade/niiskete ühenduste korral on elektrilöögi oht.

Ärge kasutage löikevedelikku, kui kasutate tööasendit instrumenti pea kohal või mõnda muud asendit, mille kasutamise korral löikevedelik võib sattuda mootorisse või lüliti korpusse.

Lühiseohtu tõttu ei tohi õhutuspiiludesse sattuda metalloisi.

KASUTAMINE VASTAVALT OTSTARBELE

Puursammast saab kasutada suurte aukude puurimiseks terasesse ja muudesse raudsisaldusega metallidesse.

TÖÖJUHISED

MDE 41: Elektromagnetiline statsioonarne puurimismasin kinnitub magnetiliselt vähemalt 6,35 mm paksusele rauda sisaldavale materjalile. Ärge kasutage õhemal kui 6,35 mm alusel. Magnetiline pesa EI KINNITU mittemagnetilisele roostevabast terasest pinnale.

MDE 41: Elektromagnetiline statsioonarne puurimismasin kinnitub magnetiliselt vähemalt 9,5 mm paksusele rauda sisaldavale

materjalile. Ärge kasutage õhemal kui 9,5 mm alusel. Magnetiline pesa EI KINNITU mittemagnetilisele roostevabast terasest pinnale. Aluspuurimismasina statiivi all peab olema puhas, stabiilne, tasane, kuiv ja ilma aukudeta ning värvi/laki kihita.

Ärge hoidke puursammast vihma käes, märjas, niiskes või plahvatusohtlikus ruumis.

Kogu töötamise ajal kasutada ühtlast survet, et freesimise äärte alla ei satuks saepuru või puurimise jäätmel. Freesi alla sattunud puurimise jäägid võivad muuta freesimistööd teatud tingimustel väga keerulisteks või isegi võimatuks.

TÄHELEPANU!

Liiga suure jõu kasutamisel magnet eemaldub.

Vältida kokkupuudet löigatava pinna otstega. Aeg-ajalt kontrollida, kas löikepea pole lahti või löikekerad kahjustunud.

Käesoleva löikeeriista pikaajalise tagamiseks on soovitatav kasutada löikevedelikku.

Töötades kald- või vertikaalsetel pindadel, samuti ka pea kohal, magneetiline puurimismasina statiiv tuleb kindlustada komplekti kuuluvate rihmadega.

Turvavööd peavad olema kinnitatud nii, et magneti tõrke korral puurimismasina statiivi liiguks operaatorist eemale.

Enne igat kasutamiskorda kontrollida, kas rihmad ei ole kahjustunud või nad ei ole kulunud. Rikutud turvavööd on keelatud kasutada!

Rakendustööriist võib kasutamise ajal kuumaks minna.

TÄHELEPANU! Põletusohu

- tööriista vahetamisel
- seadme ärapanemisel

Eemaldada frees ainult siis, kui töödeldav detail on eemaldatud. Detail võib ootamatult kukkuda.

AUTOMAATNE SEISKUMINE

Funktsiooniga AUTO STOP lülitub seade automaatselt välja, kui on ületatud lubatud ebauhtlane pöördemoment magnetile. Ohutusnõudeid järgides tehke kindlaks ja eemaldage automaatses seiskumise põhjus.

Automaatses seiskumise võimalikud põhjused:

- Töödeldava materjali läbipuurimine
- Elektrilise tööriista ülekoormus, osutades sellele liiga suurt survet
- Määratud magneti pind

Lülitage seade välja ja lülitage uuesti sisse

TAASKÄIVITUSKAITSE

Elektrikatkestuse korral pärast elektri taastamist seade ei käivituta. Lülitage seade välja ja seejärel uuesti sisse.

MOOTORI/MAGNETI TURVALUKK

Mootori/magnetit turvalukk on turvaseade, mis tagab puurimis- masina toitesüsteemi väljalülitumise, kui magnet ei tööta. Antud turvalukk tagab ka seda, et magnet ei lülituks välja mootori töötamise ajal.

VÕRKU ÜHENDAMINE

Ühendage ainult ühefaasilise vahelduvvooluga ning ainult andme- sildil äranäidatud võrgupingega. Ühendage ainult kaitsekontaktiga pistikupesadesse.

Eelnevalt ühenda diferentsiaalvoolu seade (FI, RCD, PRCD).

Masin peab pistikupesaga ühendamisega olema alati väljalülitatud seisundis.

Hoidke ühendusjuhe alati masina tööpiirkonnast eemal. Vedage juhe alati masinast tahapoole.

HOOLDUS

Enne igat seadme kasutamiskorda kontrollida, kas toitekaablid, pikendajad ja turvavööd pole kahjustatud või kulunud. Kahjustatud detaile tohib remontida ainult selle ala professionaal.

Hoidke masina õhutuspidul alati puhtad.

Hammaslatti hambumisele panna aeg-ajalt mõni tilk õli. Ettean- devõlli laagrid on isemäärivad ning neid ei tohi õlitada. Kelgu hõõrdepinda määrada Molvkote-määrdega.

Pühki tolm ja praht seadest. Hoia selle käepidemed puhtad, kuivad ja õli- või rasvavabad. Seadme puhastamiseks kasuta ainult õrnat seepi ja niisket lapikest, kuna teatud puhastusvahendid ja lahustid on plastmassile ja teistele isoleeritud osadele kahjulikud. Mitte kunagi ära kasuta kergsüttivaid lahusteid seadmete juures.

Kasutage ainult Milwaukee tarvikuid ja Milwaukee tagavaraosi. Detailid, mille väljavahetamist pole kirjeldatud, laske välja vahetada Milwaukee klienditeeninduspunktis (vaadake brošüüri garantii / klienditeeninduste aadressid).

Vajaduse korral võite tellida seadme läbilõikejoonise, näidates ära masina tüübi ja andmesildil oleva numbriga. Selleks pöörduge klienditeeninduspunkti või otse: Techtronic Industries GmbH, Max-Eyth-Straße 10, 71364 Winnenden, Germany.

EÜ VASTAVUSAVALDUS

Kinnitame oma ainuvastutusele, et „Tehniliste andmete“ all kirjeldatud toode vastab direktiivide kõigile asjakohastele sätetele

2011/65/EU (RoHS), 2006/42/EÜ,
2004/108/EÜ (kuni 19 April 2016),
2014/30/EU (alates 20 April 2016)
ning täidetud on järgmistele ühtlustatud standardide

EN 55014-1:2006+A1:2009+A2:2011
EN 55014-2:1997 + A1:2001 + A2:2008
EN 61000-3-2:2014
EN 61000-3-3:2013
EN 50581:2012
ja standardite
EN 62841-1:2015
nõuded..



Winnenden, 2015-11-25

Alexander Krug / Managing Director
On volitatud koostama tehnilist dokumentatsiooni.
Techtronic Industries GmbH
Max-Eyth-Straße 10, 71364 Winnenden, Germany



SÜMBOLID



ETTEVAATUST! TÄHELEPANU! OHUD!



Enne kõiki töid masina kallal tõmmake pistik pistikupesast välja.



Kasutades puurimismasinaga töötamisel asendit instrument pea kohal, töötage alati kahekesi. Seljavigastuste vältimiseks liigutage elektrinstrumenti alati kahekesi.



Palun lugege enne käikulaskmist kasutamisinguhend hoolikalt läbi.



Masina töötades kandke alati kaitseprille.



Kandke kaitseks kõrvaklappe!



Kanda kaitsekindaid!



OHUD! Vigastuste vältimiseks hoidke alati käed, lapid, riided jm. ohutus kauguses liikuvatest detailidest ja saepurust. Mitte mingil juhul ärge pühkige saepuru kokku, kui frees veel töötab. Saepurul on teravad ääred ja need võivad tõmmata esemeid liikuvatesse osadesse.



Mitte kaasa võtta metalloosi ja kelli.



Käesolevat seadet ei tohi kasutada inimesed, kellel on elektristimulaatorid ja muud meditsiinilised implantaadid.



Seadme läheduses ei tohi asuda magnetilised või elektromagnetilised andmekandjad.



Seadet ei tohi jätta vihma kätte.



Augusaag



Täismöödus puur



Elektriseadmeid ei tohi utiliseerida koos majapidamisprügiga. Elektrilised ja elektroonilised seadmed tuleb eraldi kokku koguda ning keskkonnasõbralikuks utiliseerimiseks vastavas käitlusettevõttes ära anda. Küsige kohalikest pädevatest ametitest või edasimüüjalt käitlusjaamade ja kogumispunktide kohta järele.



Kaitseklassi II elektritööriist. Elektritööriist, mille puhul ei sõltu kaitse mitte üksnes baasisolatsioonist, vaid ka täiendavate kaitsemeetmete nagu topeltisolatsiooni või tugevdatud isolatsiooni kohaldamisest. Mehhanism kaitsejuhi ühendamiseks puudub.



UkrSEPRO vastavusmärk.



Euraasia vastavusmärk.



CE-märk

ТЕХНИЧЕСКИЕ ДАННЫЕ Магнитный сердечник сверлильный станок	MDE 41	MDP 41
Серийный номер изделия	4523 56 02... 4523 50 02... ... 000001-999999	4523 43 02... ... 000001-999999
Номинальная выходная мощность	1200 W	1200 W
Число оборотов без нагрузки 1-я скорость Число оборотов без нагрузки 2-я скорость	475 min ⁻¹ 730 min ⁻¹	475 min ⁻¹ 730 min ⁻¹
Длина хода	146 mm	146 mm
Удерживающая способность магнита макс.	9,93 kN	8,89 kN
Макс. Ø отверстия при сверлении полым сверлом	41 mm	41 mm
Макс. Ø отверстия при сверлении сплошным сверлом	13 mm	13 mm
Посадочное место шпинделя	19 mm Weldon	19 mm Weldon
Вес согласно процедуре EPTA 01/2003	13,5 kg	14 kg
Информация по шумам Значения измерялись в соответствии со стандартом EN 61029. Уровень шума прибора, определенный по показателю A, обычно составляет:		
Уровень звукового давления (Небезопасность K=3dB(A))	95,0 dB(A)	95,0 dB(A)
Уровень звуковой мощности (Небезопасность K=3dB(A))	106,0 dB(A)	106,0 dB(A)
Пользуйтесь приспособлениями для защиты слуха.		
Информация по вибрации Общие значения вибрации (векторная сумма трех направлений) определены в соответствии с EN 61029.		
Значение вибрационной эмиссии a _h Небезопасность K=	2,17 m/s ² 1,5 m/s ²	2,17 m/s ² 1,5 m/s ²



ВНИМАНИЕ!

Указанный в настоящем руководстве уровень вибрации измерен в соответствии с технологией измерения, установленной стандартом EN 61029 и может использоваться для сравнения электроинструментов друг с другом. Он также подходит для предварительной оценки вибрационной нагрузки.

Указанный уровень вибрации представляет основные виды использования электроинструмента. Но если электроинструмент используется для других целей, используемый инструмент отклоняется от указанного или техническое обслуживание было недостаточным, то уровень вибрации может отклоняться от указанного. В этом случае вибрационная нагрузка в течение всего периода работы значительно увеличивается.

Для точной оценки вибрационной нагрузки необходимо также учитывать время, в течение которого прибор отключен или включен, но фактически не используется. В этом случае вибрационная нагрузка в течение всего периода работы может существенно уменьшиться.

Установите дополнительные меры безопасности для защиты пользователя от воздействия вибрации, например: техническое обслуживание электроинструмента и используемого инструмента, поддержание рук в теплом состоянии, организация рабочих процессов.



ВНИМАНИЕ!

Ознакомьтесь со всеми указаниями по безопасности и инструкциями, в том числе с инструкциями. Упущения, допущенные при соблюдении указаний и инструкций по технике безопасности, могут стать причиной электрического поражения, пожара и тяжелых травм.

Сохраняйте эти инструкции и указания для будущего использования.



РЕКОМЕНДАЦИИ ПО ТЕХНИКЕ БЕЗОПАСНОСТИ МАГНИТНЫЙ СЕРДЕЧНИК СВЕРЛИЛЬНЫЙ СТАНОК

Всегда пользуйтесь защитной крышкой на инструменте. Пользоваться средствами защиты. Работать с инструментом всегда в защитных очках. Рекомендуется спецодежда: пылезащитная маска, защитные перчатки, прочная и нескользящая обувь, каска и наушники.

Никогда не касайтесь опасной режущей зоны в момент работы.

Не убирайте опилки и обломки при включенном инструменте.

Не применяйте поврежденные рабочие инструменты.

Закрепите обрабатываемую деталь струбциной или другим способом. Для того, чтобы уменьшить риск нанесения травмы, не удерживайте обрабатываемый материал рукой.

ВНИМАНИЕ! Использование влажных электрических соединений может привести к удару электрическим током. Не используйте смазочно-охлаждающую жидкость, устанавливая сверлильный станок в перевернутом или наклонном положении, при котором жидкость может проникнуть в двигатель или в блок переключателей.

Не приближайте металлические предметы к вентиляционным отверстиям из-за опасности короткого замыкания!

ИСПОЛЬЗОВАНИЕ

Данный станок предназначен для сверления больших отверстий в стали и других черных металлах.

УКАЗАНИЯ ПО РАБОТЕ

MDR 41: Электромагнитный сверлильный станок надежно закрепляется на поверхности черных металлов (железосодержащих материалов) толщиной не менее 6,35 мм. Не устанавливайте инструмент на материале толщиной менее 6,35 мм. Электромагнит НЕ УДЕРЖИВАЕТ станок на поверхности немагнитной нержавеющей стали.

MDE 41: Электромагнитный сверлильный станок надежно закрепляется на поверхности черных металлов (железосодержащих материалов) толщиной не менее 9,5 мм. Не устанавливайте инструмент на материале толщиной менее 9,5 мм. Электромагнит НЕ УДЕРЖИВАЕТ станок на поверхности немагнитной нержавеющей стали.

Основание под станиной сверлильной машины должно быть чистым, прочным, ровным, сухим, неокрашенным и не иметь отверстий.

Бережь сверлильный станок от дождя, не использовать его в сырых, влажных и взрывоопасных помещениях.

Для того, чтобы предотвращать попадание стружки и мелких обрезков металла под режущие кромки, поддерживайте постоянный равномерный нажим на протяжении всего процесса обработки. Попадание стружки или обрезков металла под фрезу может затруднить дальнейшую обработку или сделать ее невозможной.

ВНИМАНИЕ!

Приложение чрезмерного усилия приведет к отсоединению электромагнита от поверхности металла.

Не прикасайтесь к режущим кромкам фрезы. Периодически осматривайте режущие кромки, проверяя, надежно ли они закреплены и не повреждены ли они. Не прикасайтесь к режущим кромкам фрезы. Периодически осматривайте режущие кромки, проверяя, надежно ли они закреплены и не повреждены ли они.

Рекомендуется использовать смазочно-охлаждающую жидкость HAWG WASH® способствующую максимальному увеличению продолжительности срока службы фрез.

При проведении работ на косых и вертикальных поверхностях, а также над головой магнитная станина должна быть закреплена ремнем из комплекта поставки.

Ремень безопасности следует наложить так, чтобы оператор мог переместить станину при отключении магнита.

Перед каждым использованием предохранительный ремень следует проверить на наличие повреждений и старения. Неисправный предохранительный ремень использовать нельзя!

Используемый инструмент может нагреваться во время применения.

ВНИМАНИЕ! Опасность получения ожога

- при смене инструмента
- при укладывании прибора

Не удаляйте фрезу, не удаляя предварительно вырезанный материал. Острый обломок вырезанного материала может неожиданно выскочить из удаляемой фрезы.

АВТОСТОП

Функция АВТОСТОПА автоматически отключает машину при воздействии на нее слишком большого прерывистого крутящего усилия. С учетом указаний по безопасности определите и устраните причину автоматической остановки.

Возможными причинами остановки могут быть:

- разрушение материала, подлежащего обработке;
- перегрузка электроинструмента из-за слишком интенсивной подачи;
- загрязнение поверхности магнита.

Отключите инструмент и вновь включите его

ЗАЩИТА ОТ ПОВТОРНОГО ВКЛЮЧЕНИЯ

После отключения напряжения включенная машина повторно не запускается. Чтобы продолжить работу, выключите и снова включите машину.

ЗАМОК МОТОР / ЭЛЕКТРОМАГНИТНЫЙ

Функция взаимной блокировки двигателя и электромагнита предотвращает подачу электроэнергии к двигателю сверла, когда электромагнит не включен. Кроме того, эта функция предотвращает выключение электромагнита, когда работает двигатель.

ПОДКЛЮЧЕНИЕ К ЭЛЕКТРОСЕТИ

Подключайте только к однофазной сети переменного тока и только с напряжением, указанным на табличке с данными. Розетки должны быть заземлены.

Подключите на входе автомат защитного отключения тока утечки (FI, RCD, PRCD).

Вставляйте вилку в розетку только при выключенном инструменте.

Держите силовой провод вне рабочей зоны инструмента. Всегда прокладывайте кабель за спиной.

ОБСЛУЖИВАНИЕ

Перед каждым использованием проверить инструмент, кабель подключения и кабель удлинения, ремень безопасности и вилку на наличие повреждений и старения. Ремонт поврежденных деталей может выполнять только специалист.

Всегда держите охлаждающие отверстия чистыми.

Смазывать время от времени зубья зубчатой рейки несколькими каплями масла. Подшипники ходового вала самосмазывающиеся; их дополнительное смазывание не допускается. Смазывать рабочую поверхность каретки моликотовой смазкой.

Удаляйте пыль и грязь с прибора. Рукоятку держите чистой, сухой, а также очищенной от масла и смазки. Чистящие



средства и растворители повреждают пластик и другие изолирующие детали, поэтому прибор следует очищать только мылом и влажной тряпкой. Никогда не используйте горячие растворители поблизости от прибора.

Пользуйтесь аксессуарами и запасными частями Milwaukee. В случае возникновения необходимости в замене, которая не была описана, обращайтесь в один из сервисных центров по обслуживанию электроинструментов Milwaukee (см. список сервисных организаций).

При необходимости может быть заказан чертеж инструмента с трехмерным изображением деталей. Пожалуйста, укажите номер и тип инструмента и закажите чертеж у Ваших местных агентов или непосредственно у Techtronic Industries GmbH, Max-Eyth-Strasse 10, 71364 Winnenden, Germany.

ДЕКЛАРАЦИЯ О СООТВЕТСТВИИ СТАНДАРТАМ ЕС

Мы несем исключительную ответственность за то, что изделие, описанное в разделе «Техническая информация» соответствует всем применимым положениям директив

2011/65/EU (RoHS), 2006/42/EC,
2004/108/EC (до 19 Апреля 2016),
2014/30/EU (после 20 Апреля 2016)
а также следующим согласованным стандартам

EN 55014-1:2006 + A1:2009 + A2:2011
EN 55014-2:1997 + A1:2001 + A2:2008
EN 61000-3-2:2014
EN 61000-3-3:2013
EN 50581:2012
и стандартам
EN 62841-1:2015



Winnenden, 2015-11-25

Alexander Krug / Managing Director
Уполномочен на составление технической документации.
Techtronic Industries GmbH
Max-Eyth-Strasse 10, 71364 Winnenden, Germany

СИМВОЛЫ



ВНИМАНИЕ! ПРЕДУПРЕЖДЕНИЕ! ОПАСНОСТИ!



Перед выполнением каких-либо работ по обслуживанию инструмента всегда вынимайте вилку из розетки.



При работах со стойкой сверления на уровне выше головы всегда работайте вдвоем. Чтобы не повредить спину, всегда переносите электроинструмент вдвоем.



Пожалуйста, внимательно прочтите инструкцию по использованию перед началом любых операций с инструментом.



При работе с инструментом всегда надевайте защитные очки.



Пользуйтесь приспособлениями для защиты слуха.



Надевать защитные перчатки!



ОПАСНОСТЬ! Для того, чтобы уменьшить риск нанесения травмы, никогда не подносите руки, ветошь, одежду и т. п. близко к движущимся компонентам и к стружке. Не пытайтесь удалять стружку, пока фреза не остановилась. Острые края стружки могут зацепиться за одежду и затянуть руку под фрезу или сверло.



Во время работы запрещается иметь при себе металлические предметы или Часы.



Лицам с кардиостимуляторами или другими медицинскими имплантатами не разрешается использовать эту сверлильную станцию.



Проведение магнитного или электронных СМИ запрещено.



Не подвергайте машину воздействию дождя.



Сверло для отверстия под резьбу



Сплошное сверло



Электрические устройства нельзя утилизировать вместе с бытовым мусором. Электрические и электронные устройства следует собирать отдельно и сдавать в специализированную утилизирующую компанию для утилизации в соответствии с нормами охраны окружающей среды. Сведения о центрах вторичной переработки и пунктах сбора можно получить в местных органах власти или у вашего специализированного дилера.



Электроинструмент с классом защиты II. Электроинструмент, в котором защита от электрического удара зависит не только от основной изоляции, но и от того, что принимаются дополнительные защитные меры, такие как двойная изоляция или усиленная изоляция. Нет устройства для подключения защитного провода.



Знак CE



Знак UKRSEPRO Соответствия

TR 066





Сертификат Соответствия
№. TC RU C-DE. ГП86.В.00277

Срок действия Сертификата Соответствия
по 10.08 2020

ООО «Ручные электрические машины. Сертификация»
141400, РФ, Московская область, г.Химки,
ул.Ленинградская, д. 29

Транспортировка:

Категорически не допускается падение и любые механические воздействия на упаковку при транспортировке.
При разгрузке/погрузке не допускается использование любого вида техники, работающей по принципу зажима упаковки.

Хранение:

Необходимо хранить в сухом месте.
Необходимо хранить вдали от источников повышенных температур и воздействия солнечных лучей.
При хранении необходимо избегать резкого перепада температур.
Хранение без упаковки не допускается.

Срок службы изделия:

Срок службы изделия составляет 5 лет.
Не рекомендуется к эксплуатации по истечении 5 лет хранения с даты изготовления без предварительной проверки.

Дата изготовления (код даты)

отштампован на поверхности корпуса изделия.

Пример:

A2015, где 2015 - год изготовления

A – месяц изготовления

Определить месяц изготовления можно согласно приведенной ниже таблице.

A - Январь	G - Июль
B - Февраль	H - Август
C - Март	J - Сентябрь
D - Апрель	K - Октябрь
E - Май	L - Ноябрь
F - Июнь	M - Декабрь

Тектроник Индастриз ГмбХ
Германия, 71364, Винненден,
ул. Макс-Ай-Штрассе, 10
Сделано в КНР

ТЕХНИЧЕСКИ ДАННИ магнитна бормашина	MDE 41	MDP 41
Производствен номер	4523 56 02... 4523 50 02... ... 000001-999999	4523 43 02... ... 000001-999999
Номинална консумирана мощност	1200 W	1200 W
Обороти на празен ход 1. скорост	475 min ⁻¹	475 min ⁻¹
Обороти на празен ход 2. скорост	730 min ⁻¹	730 min ⁻¹
Височина на хода	146 mm	146 mm
Макс. магнитна сила	9,93 kN	8,89 kN
Макс. Ø на пробиване със свредло за резбови отвори	41 mm	41 mm
Макс.Ø на пробиване с плътно свредло	13 mm	13 mm
Закрепване на шпиндела	19 mm Weldon	19 mm Weldon
Тегло съгласно процедурата EPTA 01/2003	13,5 kg	14 kg
Информация за шума Измерените стойности са получени съобразно EN 61029. Оцененото с А ниво на шума на уреда е съответно:		
Равнище на звуковото налягане (Несигурност K=3dB(A))	95,0 dB(A)	95,0 dB(A)
Равнище на мощността на звука (Несигурност K=3dB(A))	106,0 dB(A)	106,0 dB(A)
Да се носи предпазно средство за слуха!		
Информация за вибрациите Общите стойности на вибрациите (векторна сума на три посоки) са определени в съответствие с EN 61029.		
Стойност на емисии на вибрациите a _h	2,17 m/s ²	2,17 m/s ²
Несигурност K=	1,5 m/s ²	1,5 m/s ²



ВНИМАНИЕ!

Посоченото в тези инструкции ниво на вибрациите е измерено в съответствие със стандартизиран в EN 61029 измервателен метод и може да се използва за сравнение на електрически инструменти помежду им. Подходящ е и за временна оценка на вибрационното натоварване.

Посоченото ниво на вибрациите представя основните приложения на електрическия инструмент. Ако обаче електрическият инструмент се използва с друго предназначение, с различни сменяеми инструменти или при недостатъчна техническа поддръжка, нивото на вибрациите може да е различно. Това чувствително може да увеличи вибрационното натоварване по време на целия работен цикъл.

За точната оценка на вибрационното натоварване трябва да се вземат предвид и периодите от време, в които уредът е изключен или работи, но в действителност не се използва. Това чувствително може да намали вибрационното натоварване по време на целия работен цикъл.

Определете допълнителни мерки по техника на безопасност в защита на обслужващия работник от въздействието на вибрациите като например: техническа поддръжка на електрическия инструмент и сменяемите инструменти, поддържане на ръцете топли, организация на работния цикъл.



ВНИМАНИЕ!

Прочетете указанията за безопасност и съветите.

Пропуски при спазването на указанията и на инструкциите за безопасност могат да доведат до токов удар, пожар и/или тежки наранявания.

Запазете всички указания и инструкции за безопасност за бъдещето.



СПЕЦИАЛНИ УКАЗАНИЯ ЗА БЕЗОПАСНОСТ МАГНИТНА БОРМАШИНА

Предпазните устройства на машината да се използват задължително. Да се използват предпазни средства. При работа с машината винаги носете предпазни очила. Препоръчват се защитно облекло и прахозащитна маска,

защитни ръкавици, здрави и нехлъзгащи се обувки, каска и предпазни средства за слуха.

Не бъркайте в зоната на опасност на работещата машина.

Стружки или отчупени парчета да не се отстраняват, докато машина работи.

Не използвайте повредени работни инструменти.

Обработваните материали да се закрепват сигурно или да се затягат. За да избегнете риска от нараняване, не дръжте обработваната част с ръка.

ВНИМАНИЕ! При мокри връзки има опасност от електрошок. Не използвайте течност за рязане при работа над главата или в други позиции, при които течността за рязане може да проникне в мотора или в корпуса на ключа.

Във вентилационните шлицы не бива да попадат метални части поради опасност от късо съединение.

ИЗПОЛЗВАНЕ ПО ПРЕДНАЗНАЧЕНИЕ

Пробивният щендер може да се използва за пробиване на големи отвори в стомана и други желязосъдържащи метали.

УКАЗАНИЯ ЗА РАБОТА

MDP 41: Електромагнитната бормашина със стойка се захваща чрез магнит към съдържащи желязо материали с дебелина от 6,35 мм или повече. Моля не я захващайте за материали, чиято дебелина е под 6,35 мм. Магнитната база HE ДЪРЖИ върху немагнитни неръждаеми стомани.

MDE 41: Електромагнитната бормашина със стойка се захваща чрез магнит към съдържащи желязо материали с дебелина от 9,5 мм или повече. Моля не я захващайте за материали, чиято дебелина е под 9,5 мм. Магнитната база HE ДЪРЖИ върху немагнитни неръждаеми стомани.

Повърхността под стойката на бормашината трябва да бъде чиста, твърда, гладка, суха и почистена от дупки и боя.

Пробивният щендер да не се излага на дъжд и да не се използва в мокри, влажни или застрашени от експлозия помещения.

Упражнявайте постоянен натиск през цялото време на обработка, за да не се появят стружки или грапавини под ръбовете на фрезозване. Попадали под фрезера отпадъци от фрезозването могат да затруднят или да направят фрезозването невъзможно.

ВНИМАНИЕ!

Магнитът ще откаже под въздействието на прекомерна сила.

Избягвайте контакт с върховете на фрезера. Проверявайте го от време на време за хлабавини или повреди.

За да се осигури дълъг експлоатационен живот на тези фрезери, се препоръчва употребата на течност за рязане.

Магнитната стойка с бормашината трябва да бъде захваната с доставения колан при работа върху наклонени и вертикални повърхности и над главата.

Обезопасителният колан трябва да се прилага така, че стойката с бормашината да пада настрани от оператора при отказ на магнита.

Преди всяка употреба проверявайте обезопасителния колан за повреда и износване. Не използвайте дефектни обезопасителни колани!

Използваният инструмент може да загрее по време на употреба.

ВНИМАНИЕ! Опасност от изгаряния

- при смяна на инструмента
- при оставяне на уреда

Първо извадете заготовката, преди да отстраните фрезера. Заготовката може да бъде отхвърлена неочаквано.

АВТО-СТОП

Функцията авто-стоп автоматично изключва машината в случай на прекалено висока, рязка ротационна сила действаща върху магнита. Установете и отстранете причината за автоматичното спиране вземайки под внимание инструкциите за безопасност.

Възможна причина за това може да бъде:

- Пречупване на обработвания материал
- Претоварване на електроинструмента от прекалено бързо подаване
- Замърсена магнитна повърхност

Изключете машината и я включете отново

ЗАЩИТА ОТ ПОВТОРНО ПУСКАНЕ

Ако машината е включена по време на прекъсване на електрическото захранване, тя няма да се включи сама отново. За да продължите работата, изключете машината и я включете отново.

ЗАЩИТНА БЛОКИРОВКА МОТОР/МАГНИТ

Защитната блокировка мотор/магнит е мярка за безопасност, която не позволява моторът на бормашината да бъде захранван с ток, когато магнитът не е активиран. Тази блокировка също така гарантира, че магнитът няма да се изключи, докато моторът работи.

ЗАЩИТА НА ДВИГАТЕЛЯ В ЗАВИСИМОСТ ОТ НАТОВАРВАНЕТО

Да се свързва само към еднофазен променлив ток и само към мрежово напрежение, посочено на заводската табелка. Да се свързва само към контакт „шuko“ защитно заземяване.

Свържете предварително предпазител за дефектнокова защита (FI, RCD, PRCD).

Свързвайте машината към контакта само в изключено положение.

Свързващият кабел винаги да се държи извън работния обсег на машината. Кабелът да се отвежда от машината винаги назад.

ПОДДРЪЖКА

Преди всяка употреба проверявайте уреда, захранващия кабел, удължителния кабел, обезопасителния колан и щепсела за повреда и износване. Повредени части да бъдат ремонтирани само от специалисти.

Вентилационните шлицы на машината да се поддържат винаги чисти.

Отвреме навреме да се капват по няколко капки масло върху зъбите на зъбната рейка. Лагерите на подавателния вал са самосмазващи се и не бива да се смазват с масло. Повърхнината на плъзгане на шейната да се смазва със смазка Molykote.

Винаги отстранявайте праха и мърсотията от уреда. Дръжте ръкохватката чиста, суха и обезмазнена. Почистващите средства и разредителите са вредни за пластмасите и другите изолиращи части, затова почиствайте уреда само с мек сапун и кърпа. Никога не използвайте горящи разредители в близост до уреда.

Да се използват само аксесоари на Milwaukee и резервни части на Milwaukee. Елементи, чиято подмяна не е описана, да се дадат за подмяна в сервис на Milwaukee (вижте брошурата „Гаранция и адреси на сервиси“).

При необходимост можете да поискате за уреда от Вашия сервис или директно от Techtronic Industries GmbH, Max-Eyth-Straße 10, 71364 Winnenden, Germany, чертеж за в случай на експлозия, като посочите типа на машината и номер върху заводската табелка.



БЪЛ

СЕ - ДЕКЛАРАЦИЯ ЗА СЪОТВЕТСТВИЕ

Ние декларираме, изцяло на наша отговорност, че продуктът, описан в „Технически данни“, съответства на всички необходими изисквания на директивите

2011/65/EU (RoHS), 2006/42/EO,

2004/108/EO (до 19 Apr 2016),

2014/30/EU (от 20 Apr 2016)

и че са използвани следните хармонизирани стандарти

EN 55014-1:2006+A1:2009+A2:2011

EN 55014-2:1997 + A1:2001 + A2:2008

EN 61000-3-2:2014

EN 61000-3-3:2013

EN 50581:2012

и стандартите

EN 62841-1:2015



Winnenden, 2015-11-25

Alexander Krug / Managing Director

Упълномощен за съставяне на техническата документация

Teichtronic Industries GmbH

Max-Eyth-Straße 10, 71364 Winnenden, Germany

СИМВОЛИ



ВНИМАНИЕ! ПРЕДУПРЕЖДЕНИЕ! ОПАСНОСТ



Преди каквито и да е работи по машината извадете щепсела от контакта.



Работете винаги по двойки, когато използвате бормашината със стойка на височина над главата. Носете електроинструмента винаги по двойки, за да се избегнат увреждания на гърба.



Преди пускане на уреда в действие моля прочетете внимателно инструкцията за използване.



При работа с машината винаги носете предпазни очила.



Да се носи предпазно средство за слуха!



Да се носят предпазни ръкавици!



ОПАСНОСТ За да избегнете риска от наранявания, дръжте ръцете си, парцали, дрехи и т.н. на безопасно разстояние от движещите се части и от стружки. В никакъв случай не отстранявайте стружките, докато фрезерът все още се върти. Стружките имат остри ръбове и могат да дръпнат предмети в движещите се части.



Носенето на метални части и часовници е забранено.



Лица с пейсмейкъри или други медицински импланти не трябва да използват тази бормашина със стойка.



Носенето на магнитни или електронни носители на данни е забранено.



Не излагайте машината на дъжд.



Боркорона



Свердрло



Електрическите уреди не трябва да се изхвърлят заедно с битовите отпадъци. Електрическото и електронното оборудване трябва да се събират отделно и да се предават на службите за рециклиране на отпадъците според изискванията за опазване на околната среда. Информирайте се при местните служби или при местните специализирани търговци относно местата за събиране и центровете за рециклиране на отпадъци.



Електроинструмент от защитен клас II. Електроинструмент, при който защитата от електрически удар зависи не само от основната изолация, а и от обстоятелството, че се използват допълнителни защитни мерки като двойна изолация или усилена изолация. Няма приспособление за присъединяване на защитен проводник.



CE-знак



UKRSEPRO знак за съответствие.

TR 066



EurAsian знак за съответствие.



БЪЛ

DATE TEHNICE Mașină de găurit cu miez magnetic	MDE 41	MDP 41
Număr producție	4523 56 02... 4523 50 02... ... 000001-999999	4523 43 02... ... 000001-999999
Putere nominală de ieșire	1200 W	1200 W
Viteza de mers în gol prima treaptă de putere Viteza de mers în gol a 2-a treaptă de putere	475 min ⁻¹ 730 min ⁻¹	475 min ⁻¹ 730 min ⁻¹
Lungimi de cursă	146 mm	146 mm
Putere magnetică maximă	9,93 kN	8,89 kN
Diametru maxim burghiu cu vârf cu miez gol	41 mm	41 mm
Diametru maxim burghiu cu vârf solid	13 mm	13 mm
Receptor pinolă (ax, arbore 0	19 mm Weldon	19 mm Weldon
Greutatea conform „EPTA procedure 01/2003”	13,5 kg	14 kg
Informație privind zgomotul Valori măsurate determinate conform EN 61029. Nivelul de zgomot evaluat cu A al aparatului este tipic de:		
Nivelul presiunii sonore (Nesiguranță K=3dB(A))	95,0 dB(A)	95,0 dB(A)
Nivelul sunetului (Nesiguranță K=3dB(A))	106,0 dB(A)	106,0 dB(A)
Purtați căști de protecție		
Informații privind vibrațiile Valorile totale de oscilație (suma vectorială pe trei direcții determinate conform normei EN 61029.		
Valoarea emisiei de oscilații a _n Nesiguranță K=	2,17 m/s ² 1,5 m/s ²	2,17 m/s ² 1,5 m/s ²



AVERTISMENT!

Gradul de oscilație indicat în prezentele instrucțiuni a fost măsurat în conformitate cu o procedură de măsurare normată prin norma EN 61029 și poate fi folosit pentru a compara unelte electrice între ele. El se pretează și pentru o evaluare provizorie a solicitării la oscilații.

Gradul de oscilație indicat reprezintă aplicațiile principale ale uneltelor electrice. În cazul în care însă uneltele electrice au fost folosite pentru alte aplicații, ori au fost folosite unelte de muncă diferite ori acestea nu au fost supuse unei suficiente inspecții de întreținere, gradul de oscilație poate fi diferit.

Acest fapt poate duce la o creștere netă a solicitărilor la oscilații dealungul întregii perioade de lucru. În scopul unei evaluări exacte a solicitării la oscilații, urmează să fie luate în considerație și perioadele de timp în care aparatul a fost oprit ori funcționează dar, în realitate, el nu este folosit în mod practic. Acest fapt poate duce la o reducere netă a solicitărilor la oscilații dealungul întregii perioade de lucru.

Stabiliți măsuri de siguranță suplimentare în scopul protecției utilizatorului de efectele oscilațiilor, de exemplu: inspecție de întreținere a uneltelor electrice și a celor de muncă, păstrarea caldă a mâinilor, organizarea proceselor de muncă.

AVERTISMENT!

Citiți toate avizele de siguranță și indicațiile. Nerespectarea indicațiilor de avertizare și a instrucțiunilor poate provoca electrocutare, incendii și/sau răniri grave.

Păstrați toate indicațiile de avertizare și instrucțiunile în vederea utilizărilor viitoare.

INSTRUCȚIUNI DE SECURITATE MAȘINĂ DE GĂURIT CU MIEZ MAGNETIC

Întotdeauna utilizați ecranele de protecție ale mașinii. Folosiți echipament de protecție. Purtați întotdeauna ochelari de protecție când lucrați cu mașina. Se recomandă utilizarea hainelor de protecție ca de ex. Măști contra prafului, mănuși de protecție, încălțăminte stabilă nealunecoasă, cască și apărătoare de urechi.

Nu intrați niciodată în zona de pericol a plăcii când este în mișcare. Rumegeșul și spanul nu trebuie îndepărtate în timpul funcționării mașinii.

Nu folosiți dispozitive de lucru deteriorate.

Prindeți sau securizați în alt mod piesa de prelucrat. Pentru a preveni pericolul de rănire, evitați ținerea cu mâna a piesei în lucru.

AVERTISMENT! Conexiuni ude prezintă risc de electrocutare. Nu folosiți lichid de răcire/ungere scule în poziție de lucru deasupra capului sau alte poziții la care lichidul s-ar putea scurge în motor sau în carcasa comutatorului.

Nu lăsați nici o piesă metalică să intre în fantele de aerisire - pericol de scurt circuit.

CONDIȚII DE UTILIZARE SPECIFICATE

Suportul mașinii de găurit este adecvat pentru realizarea de găuri mari în oțel și alte metale feroase.

INDICAȚII DE LUCRU

MDP 41: Mașina de găurit cu stativ electromagnetică aderă magnetic pe material feruginos gros de cel puțin 6,35 mm. Rugăm a nu se folosi pe material-suport mai subțire de 6,35 mm. Talpa magnetică NU STĂ FIXATĂ pe sorturi de oțel superior nemagnetice.

MDE 41: Mașina de găurit cu stativ electromagnetică aderă magnetic pe material feruginos gros de cel puțin 9,5 mm. Rugăm a nu se folosi pe material-suport mai subțire de 9,5 mm. Talpa magnetică NU STĂ FIXATĂ pe sorturi de oțel superior nemagnetice.

Suprafața pe care se așează stativul pentru mașină de găurit trebuie să fie curată, rigidă, netedă, uscată, fără adâncituri și să nu aibă urme de lac/vopsea.

Nu expuneți mașina de găurit la ploaie și nu o utilizați în încăperi umede sau neînfigurate.

Pe toată durata procesului exercitați o apăsare constantă ca să nu între span sau bavură de la găurit sub muchiile de frezare. Deșeurile de la frezare care pătrund sub freză pot îngreua eventual operația de frezare sau s-o împiedice complet.

AVERTISMENT!

Sub acțiunea unor forțe excesive, magnetul se desprinde.

Evitați contactul cu vârful frezei. Verificați din când în când partea frontală a frezei dacă nu s-au slăbit sau stricat unele dintre vârful.

Pentru a asigura o durată de funcționare lungă pentru aceste freze se recomandă folosirea de lichid de răcire/ungere scule.

La lucrări pe suprafețe înclinate sau verticale și la cele deasupra capului stativului pentru găurit cu fixare magnetică trebuie să fie asigurat prin intermediul centurii care face parte din livrare.

Centura de siguranță trebuie fixată în așa fel încât dacă magnetul nu mai ține, stativul pentru găurit să se miște îndepărtându-se de operator.

Controlați înainte de fiecare întrebuintare dacă centura de siguranță nu are vreun defect și să nu dea semne de îmbătrânire. Nu utilizați centura de siguranță dacă e defectă!

Scula introdusă poate să devină fierbinte în timpul utilizării.

AVERTISMENT! Pericol de arsuri

- la schimbarea sculei
- la depunerea aparatului

Îndepărtați freza de abia după ce a fost scoasă piesa brută. Este posibil ca piesa brută să fie ejectată în mod neașteptat.

AUTO-STOP

Cu AUTO STOP mașina este oprită automat în caz de forță tangențială excesivă discontinuă (cu smucituri) asupra magnetului. Depistați și înlăturați cauza opririi automate dând atenție instrucțiunilor de siguranță.

Cauze posibile pentru aceasta pot fi:

- Penetrarea completă în materialul de prelucrat
- Suprasolicitarea sculei electrice prin avans prea mare
- Suprafață murdară sub talpa magnetului

Opriti mașina și reporniți-o

PROTECȚIE CONTRA REPORNIRII

Mașina pornită nu-și reia activitatea după o întrerupere de curent. Pentru a continua lucrul, dați comanda oprit și reporniți mașina.

BLOCAJ DE SIGURANȚĂ PENTRU MOTOR/MAGNET

Blocajul pentru motor/magnet constituie o caracteristică de siguranță care împiedică alimentarea motorului mașinii de găurit cu curent, dacă nu este activat magnetul. Blocajul respectiv are și funcția de a se opune dezactivării magnetului în timp ce merge motorul.

ALIMENTARE DE LA REȚEA

Conectați numai la priza de curent alternativ monofazat și numai la tensiunea specificată pe placa indicatoare. Trebuie utilizată numai conectată la priza cu împamantare.

Interconectați un întrerupător de protecție contra curenților de defect (FI, RCD, PRCD).

Conectați la rețea numai când mașina este oprită.

Pastrăți cablul de alimentare la o distanță de aria de lucru a mașinii. Întotdeauna țineți cablul în spatele dvs.

ÎNTEȚINEREA

Înainte de fiecare folosire controlați aparatul, cablul de alimentare, prelungitorul, centura de siguranță și ștecherul să nu prezinte defecte sau semne de îmbătrânire. Încredințați repararea componentelor defecte numai unor specialiști.

Fantele de aerisire ale mașinii trebuie să fie menținute libere tot timpul

Din când în când, aplicați câteva picături de ulei pe dinții cremalierii. Cuzineții arborelui cu came sunt cu autoascuțire și nu trebuie să fie unși. Se greșează suprafața de alunecare a săniei cu vaselina Molykote.

Îndepărtați permanent praful și murdăria de pe aparat. Păstrați mânerul curat, uscat și lipsit de ulei sau unsoare. Detergenții și solvenții dăunează materialelor plastice și celorlalte componente izolatoare, deci nu curățați aparatul decât cu un săpun ușor și cu o lavetă umezită. Nu folosiți niciodată solvenți inflamabili în apropierea aparatului.

Utilizați numai accesorii și piese de schimb Milwaukee. Dacă unele din componente care nu au fost descrise trebuie înlocuite, vă rugăm contactați unul din agenții de service Milwaukee (vezi lista noastră pentru service / garanți

Dacă este necesară, se poate comanda o imagine descompusă a sculei. Vă rugăm menționați numărul art. Precum și tipul mașinii tipărit pe etichetă și comandați desenul la agenții de service locali sau direct la Techtronic Industries GmbH, Max-Eyth-Straße 10, 71364 Winnenden, Germany.

DECLARAȚIE DE CONFORMITATE

Declarăm pe propria răspundere că produsul descris în capitolul „Date tehnice” îndeplinește toate cerințele relevante ale directivelor

2011/65/EU (RoHS), 2006/42/CE,
2004/108/CE (până la data de 19 Aprilie 2016),
2014/30/EU (de la date de 20 Aprilie 2016)
și au fost utilizate următoarele standarde armonizate

EN 55014-1:2006+A1:2009+A2:2011
EN 55014-2:1997 + A1:2001 + A2:2008
EN 61000-3-2:2014
EN 61000-3-3:2013
EN 50581:2012
și norme
EN 62841-1:2015





Winnenden, 2015-11-25

Alexander Krug

Alexander Krug / Managing Director
Împunernic să elaboreze documentația tehnică.

Teichronic Industries GmbH
Max-Eyth-Straße 10, 71364 Winnenden, Germany

SIMBOLURI



PERICOL! AVERTIZARE! ATENȚIE!



Întotdeauna scoateți stecarul din priză înainte de a efectua intervenții la mașină.



Când lucrarea se face utilizându-se stativul pentru mașina de găurit deasupra capului, lucrați totdeauna câte doi. Purtați scula electrică neapărat împreună ca să evitați leziuni spinale.



Va rugăm citiți cu atenție instrucțiunile înainte de pornirea mașinii



Purtați întotdeauna ochelari de protecție când utilizați mașina.



Purtați căști de protecție



Purtați mănuși de protecție!



ATENȚIE! Petru a preîntâmpina pericolele de rănire, țineți-vă mâinile, cârpe, îmbrăcămintea etc. la o distanță care garantează siguranța față de piesele în mișcare și span. În niciun caz nu îndepărtați așchiile în timp ce se mai rotește freza. Așchiile au muchii ascuțite și pot trage obiecte între piesele în mișcare.



Este interzis să se poarte asupra sa obiecte metalice sau ceasuri.



Persoanelor cu stimulator cardiac sau alte implanturi medicale le este interzisă folosirea acestui stativ de mașină de găurit.



Este interzis să se poarte asupra sa suporturi magnetici sau electronici de date.



Nu lăsați mașina în ploaie.



Burghiu de centruire



Burghiu pentru secțiuni pline



Aruncarea aparatelor electrice la gunoii menajer este interzisă. Echipamentele electrice și electronice trebuie colectate separat și predate la un centru de reciclare și eliminare a deșeurilor, pentru a fi eliminate ecologic. Interesați-vă la autoritățile locale sau la comerciantul dvs. de specialitate unde se află centre de reciclare și puncte de colectare.



Sculă electrică cu clasa de protecție II. Sculă electrică la care protecția împotriva unei electrocutări nu depinde doar de izolația de bază, ci și de aplicarea de măsuri suplimentare de protecție, cum ar fi o izolație dublă sau o izolație mai puternică. Nu există un dispozitiv pentru conectarea unui conductor de protecție.



Marcaj CE



Marcaj de conformitate UkrSEPRO.

TR 066



Marcaj de conformitate EurAsian.

ТЕХНИЧКИ ПОДАТОЦИ Бормашина со магнетно јадро	MDE 41	MDP 41
Произведен број	4523 56 02... 4523 50 02... ... 000001-999999	4523 43 02... ... 000001-999999
Определен внес	1200 W	1200 W
Брзина без оптоварување прва брзина Брзина без оптоварување втора брзина	475 min ⁻¹ 730 min ⁻¹	475 min ⁻¹ 730 min ⁻¹
Должина на удар	146 mm	146 mm
Макс. магнетна сила	9,93 kN	8,89 kN
Бушење- ϕ макс. со бормашина за дупчење	41 mm	41 mm
Бушење- ϕ макс. со бормашина за полно дупчење	13 mm	13 mm
Прием на осовина/вретено	19 mm Weldon	19 mm Weldon
Тежина според ЕПТА-процедурата 01/2003	13,5 kg	14 kg
Информации за бучавата Измерените вредности се одредени согласно стандардот EN 61029. А-оценетото ниво на бучава на апаратот типично изнесува:		
Ниво на звучен притисок. (Несигурност K=3dB(A))	95,0 dB(A)	95,0 dB(A)
Ниво на јачина на звук. (Несигурност K=3dB(A))	106,0 dB(A)	106,0 dB(A)
Носте штитник за уши.		
Информации за вибрации Вкупни вибрациски вредности (векторски збир на трите насоки) пресметани согласно EN 61029.		
Вибрациска емисиона вредност a _h	2,17 m/s ²	2,17 m/s ²
Несигурност K	1,5 m/s ²	1,5 m/s ²



ПРЕДУПРЕДУВАЊЕ!

Нивото на осцилација наведено во овие инструкции е измерено во согласност со мерните постапки нормирани во EN 61029 и може да биде употребено за меѓусебна споредба на електро-алати. Ова ниво може да се употреби и за привремена проценка на оптоварувањето на осцилацијата.

Наведеното ниво на осцилација ги репрезентира главните намени на електро-алатот. Но, доколку електро-алатот се употребува за други намени, со отстапувачки додатоци или со несоодветно одржување, нивото на осцилација може да отстапи. Тоа може значително да го зголеми оптоварувањето на осцилацијата за време на целиот работен период.

За прецизна проценка на оптоварувањето на осцилацијата предвид треба да бидат земени и времињата, во коишто апаратот е исклучен или работи, но фактички не се употребува. Тоа може значително да го намали оптоварувањето на осцилацијата за време на целиот работен период.

Утврдете дополнителни безбедносни мерки за заштита на операторот од влијанието на осцилациите, како на пример: одржување на електро-алатот и на додатоци кон електро-алатот, одржување топли раце, организација на работните процеси.

ПРЕДУПРЕДУВАЊЕ!

Прочитајте ги сите безбедносни упатства и инструкции.

Заборавање на почитувањето на безбедносните упатства и инструкции можат да предизвикаат електричен удар, пожар и/или тешки повреди.

Сочувајте ги сите безбедносни упатства и инструкции за во иднина.

УПАТСТВО ЗА УПОТРЕБА БОРМАШИНА СО МАГНЕТНО ЈАДРО

Секогаш користете заштитен штит на машината. Употребувајте заштитна опрема. При работа со машината постојано носете заштитни очила. Се препорачува заштитна облека како: маска за заштита од прашина, заштитни ракавици, цврсти чевли што не се лизгаат, кацига и заштита за уши.

Никогаш не посегнувајте во зоната на опасната работна површина при вклучена машина.

Прашината и струготините не смеат да се одстрануваат додека е машината работи.

Не употребувајте оштетен прибор.

Обезбедете го предметот со забравување или на некој друг начин. За да се спречи опасност од повреди, парчето на кое се работи не би смеео да се држи со рака.

ПРЕДУПРЕДУВАЊЕ! Во случај на влажност на конекцијата, постои опасност од електричен шок.

Да не се користи средство за подмачкување при сечење кога се работи во висина над главата или во други позиции, во кои средството за подмачкување при сечење би можело да продре во моторот или во кукиштето на прекинувачот.

Не дозволувајте какви и да се метални делови да дојдат до отворите за вентилација-ризик од куршлук!

СПЕЦИФИЦИРАНИ УСЛОВИ НА УПОТРЕБА

Стативот за бормашина може да се употребува за бушење на големи дупки во челик и во други метали што содржат железо.

РАБОТНИ УПАТСТВА

MDP 41: Електромагнетната дупчалка со држач магнетски се прицврстува на материјал што содржи железо со дебелина од 6,35 мм или повеќе. Ве молиме истата да не ја користите за материјал потенок од 6,35 мм. Магнетното постоје НЕ ДРЖИ немагнетни видови на облагороден челик.

MDE 41: Електромагнетната дупчалка со држач магнетски се прицврстува на материјал што содржи железо со дебелина од 9,5 мм или повеќе. Ве молиме истата да не ја користите за материјал потенок од 9,5 мм. Магнетното постоје НЕ ДРЖИ немагнетни видови на облагороден челик.

Површината под држачот на дупчалката мора да биде чиста, цврста рамна, сува и без дупки и лак.

Не изложувајте го стативот на бормашината на дожд и не употребувајте го во водени, влажни простории или во простории со опасност од експлозија.

Во текот на целиот процес треба да се врши константен притисок, за да не паѓаат струготини и брус под рабовите на фрезата. Како последица на отпадоци од фрезирањето, што ќе се најдат под фрезата, во дадени случаи може да биде отежнато или воопшто да не биде извршено фрезирањето.

ПРЕДУПРЕДУВАЊЕ!

При прекумерно влијание на сила, доаѓа до олабавување на магнетот.

Да се избегнува контакт со врвовите на фрезата. Одвреме навреме да се проверува дали постојат олабавени или оштетени врвови.

За да се обезбеди долг работен век на овие фрези, се препорачува користење на течност за подмачкување при сечење.

При работа на коси и вертикални површини како и во висина над главата, магнетниот држачот на дупчалката треба се прицврсти со расположивиот сигурносен појас.

Сигурносниот појас треба да се намести на начин што ќе го спречи држачот на дупчалката при испад на магнетот да се помести подалеку од лицето кое ракува со дупчалката.

Пред секое користење на сигурносниот појас да се провери дали истиот е оштетен или амортизиран. Да не се користи дефектен сигурносен појас!

Употребеното орудие за време на примената може да стане многу жешко.

ПРЕДУПРЕДУВАЊЕ! Опасност од изгоретини

- при менување на орудие
- при ставање на апаратот на страна

Фрезата да се отстрани дури откако ќе се извади материјалот што се обработува. Материјалот може да биде неочекувано исфрлен.

АВТО-СТОП ФУНКЦИЈА

Со функцијата АВТО- СТОП машината автоматски ќе се исклучи во случај на неочекувано достигнување на превисока ротациона сила врз магнетот. Утврдете ја и отстранете ја причината за автоматското исклучување, притоа земајќи ги во предвид сигурносните упатства.

Можни причини за тоа може да бидат следните:

- кршење на материјалот што се обработува

- преоптоварувања на електричната алатка како резултат на премногу висока брзина на движење
- нечиста магнетна површина

исклучете ја и повторно вклучете ја машината

ЗАШТИТА ОД ПОВТОРНО ПРИДВИЖУВАЊЕ

Вклучената машина не продолжува со работа по пад на напон. За да продолжите со работа, исклучете и повторно вклучете ја машината.

БЕЗБЕДНОСНА БЛОКАДА НА МОТОРОТ/МАГНЕТОТ

Блокадата на моторот/магнетот е безбедносна карактеристика, која спречува напојување на моторот на дупчалката, ако магнетот не е управуван. Блокадата служи за тоа да спречи исклучување на магнетот, додека моторот сè уште работи.

ГЛАВНИ ВРСКИ

Да се спои само за една фаза АС од струјното коло и само на главниот напон наведен на плочката. Мора да се користи исклучиво приклучоци со заземјување.

Приклучете претходно еден заштитен прекинувач за погрешна струја (FI, RCD, PRCD) vor.

Вклучувањето на кабелот во струја се прави исклучиво машината е исклучена.

Чувајте го кабелот за напојување подалеку од работната површина. Сепкогаш водете го кабелот позади вас.

ОДРЖУВАЊЕ

Пред секое користење да се провери дали уредот, приклучниот кабел, продолжниот кабел, сигурносниот појас и утикачот се оштетени или амортизирани. Оштетените делови да се поправат исклучиво од страна на стручно лице.

Вентилациските отвори на машината мора да бидат комплетно отворени постојано.

Одвреме навреме ставајте неколку капки масло на запците од вратилото. Лагерите од делот за туркање се самоподмачкуваат и не смеат да се посилуваат со масло. Површината за лизгање на лизгалката да се мазни со моликот-маст.

Постојано отстранувајте прашина и нечистотија од апаратот. Одржувајте ја рачката чиста, сува и без масти или масло.

Средства за чистење и разредување се штетни по пластиките и други изолирачки делови, затоа чистете само со нежен сапун и влажна крпа. Никогаш не употребувајте запаливи средства за разредување во близина на апаратот.

Користете само Milwaukee додатоци и резервни делови. Доколку некои од компонентите кои не се опишани треба да бидат заменети, Ве молиме контактирајте ги сервисните агенти на Milwaukee (консултирајте ја листата на адреси).

Доколку е потребно можно е да биде набавен детален приказ на алатот. Ве молиме наведете го бројот на артиклот како и типот на машина кој е отпечатен на етикетата и порачајте ја скицата кај локалниот застапник или директно кај: Techronic Industries GmbH, Max-Eyth-Straße 10, 71364 Winnenden, Germany.



ЕУ-ДЕКЛАРАЦИЈА ЗА СООБРАЗНОСТ

Под целосна лична одговорност изјавуваме дека производот опишан во „Технички податоци“ е во сообразност со сите релевантни прописи од директивите

2011/65/EU (RoHS), 2006/42/EC,
2004/108/EC (до 19 Април 2016),
2014/30/EU (од 20 Април 2016)

и дека се применети следните хармонизирани стандарди

EN 55014-1:2006+A1:2009+A2:2011
EN 55014-2:1997 + A1:2001 + A2:2008
EN 61000-3-2:2014
EN 61000-3-3:2013
EN 50581:2012
и стандарди
EN 62841-1:2015



Winnenden, 2015-11-25

Alexander Krug / Managing Director
Ополномоштен за составување на техничката документација.
Techtronic Industries GmbH
Max-Eyth-Straße 10, 71364 Winnenden, Germany

СИМБОЛИ



ВНИМАНИЕ! ПРЕДУПРЕДУВАЊЕ! ОПАСНОСТ!



Секогаш кога преземате активности врз машината исклучете го кабелот од струјата.



Во операции во висина над главата секогаш да се работи со партнер. Електрични алатки секогаш да се ги носат двајца, за да се спречат ризици од повреди на грбот.



Ве молиме пред да ја стартувате машината обрнете внимание на упатствата за употреба.



Секогаш при користење на машината носете ракавици.



Носте штитник за уши.



Носете ракавици!



ОПАСНОСТ! За да се спречи опасност од повреди, дланките, крпите, облеката и сл. држете ги на безбедна одалеченост од подвижните делови и од струготините. Струготините во никој случај немојте се обидуваат да ги отстраните додека фрезата сè уште работи. Струготините имаа остри рабови и може да вовлечат предмети во подвижните делови.



Забрането е носење на метални делови и часовници.



Забрането е ракување со бушилката на лица со вграден пејсмејкер или други медицински имплантати.



Забрането е носење на магнетни или други електронски носачи на податоци.



Не ја изложувајте машината на дожд.



Дупчалка со сврдел за навојни отвори



Дупчалка со полн сврдел



Електричните апарати не смеат да се фрлат заедно со домашниот отпад. Електричните и електронските апарати треба да се собираат одделно и да се однесат во соодветниот погон заради нивно фрлање во склад со начелата за заштита на околината. Информирајте се кај Вашите местни служби или кај специјализираниот трговски претставник, каде има такви погони за рециклажа и собирни станици.



Електрично орудие од заштитната категорија II. Електрично орудие чијашто заштита од електричен удар не зависи само од основната изолација туку и од тоа дали ќе се применат дополнителните заштитни мерки како што се двоструките изолации или појачаната изолација. Не постои никаква направа за приклучување на некој заштитен вод.



CE-знак



UkrSEPRO знак на конформитет.

TR 066



EurAsian (Евроазиски) знак на конформитет.



ТЕХНІЧНІ ХАРАКТЕРИСТИКИ Дриль з магнітним осердям	MDE 41	MDP 41
Номер виробу	4523 56 02... 4523 50 02... ... 000001-999999	4523 43 02... ... 000001-999999
Номінальна споживана потужність	1200 W	1200 W
Кількість обертів холостого ходу 1-а передача Кількість обертів холостого ходу 2-а передача	475 min ⁻¹ 730 min ⁻¹	475 min ⁻¹ 730 min ⁻¹
Висота ходу	146 mm	146 mm
Макс. сила магніту	9,93 kN	8,89 kN
Ø свердління макс., свердло для кернового свердління	41 mm	41 mm
Ø свердління макс., суцільне свердло	13 mm	13 mm
Кріплення шпинделя	19 mm Weldon	19 mm Weldon
Вага згідно з процедурою EPTA 01/2003	13,5 kg	14 kg
Інформація про шум Виміряні значення визначені згідно з EN 61029. Рівень шуму „А” приладу становить в типовому випадку:		
Рівень звукового тиску (похибка K = 3 дБ(A))	95,0 dB(A)	95,0 dB(A)
Рівень звукової потужності (похибка K = 3 дБ(A))	106,0 dB(A)	106,0 dB(A)
Використовувати засоби захисту органів слуху!		
Інформація щодо вібрації Сумарні значення вібрації (векторна сума трьох напрямків), встановлені згідно з EN 61029.		
Значення вібрації a _h похибка K =	2,17 m/s ² 1,5 m/s ²	2,17 m/s ² 1,5 m/s ²

ПОПЕРЕДЖЕННЯ!

Рівень вібрації, вказаний в цій інструкції, вимірювався згідно з методом вимірювання, нормованим стандартом EN 61029, і може використовуватися для порівняння електроінструментів. Він призначений також для попередньої оцінки навантаження від вібрації.

Вказаний рівень вібрації відповідає основним сферам використання електроінструменту. Але якщо електроінструмент використовується для іншої мети, з іншими вставними інструментами або при недостатньому технічному обслуговуванні, рівень вібрації може бути іншим. Це може значно підвищити навантаження від вібрації за весь період роботи.

Для точної оцінки навантаження від вібрації необхідно також враховувати час, коли прилад вимкнений або увімкнений, але фактично не використовується. Це може значно зменшити навантаження від вібрації за весь період роботи.

Визначте додаткові заходи безпеки для захисту оператора від дії вібрації, наприклад: Технічне обслуговування електроінструменту та вставних інструментів, зігрівання рук, організація робочих процесів.



ПОПЕРЕДЖЕННЯ!

Прочитайте всі вказівки з техніки безпеки та інструкції.

Упущення при дотриманні вказівок з техніки безпеки та інструкції можуть призвести до ураження електричним струмом, пожежі та/або тяжких травм.

Зберігайте всі вказівки з техніки безпеки та інструкції на майбутнє.



ВКАЗІВКИ З ТЕХНІКИ БЕЗПЕКИ ДЛЯ ДРИЛЬ З МАГНІТНИМ ОСЕРДЯМ

Обов'язково користуватися захисним обладнанням машини. Використовуйте індивідуальні засоби захисту. Під час роботи з машиною завжди носити захисні окуляри. Радимо використовувати захисний одяг, як наприклад маску для захисту від пилу, захисні рукавиці, міцне та нековзне взуття, каску та засоби захисту органів слуху.

Частини тіла не повинні потрапляти в небезпечну область машини, коли вона працює.

Не можна видаляти стружку або уламки, коли машина працює.

Не використовувати пошкоджені вставні інструменти.

Міцно закріпіти або затиснути заготовки. Щоб запобігати травмуванню, не можна тримати заготовки руками.

ПОПЕРЕДЖЕННЯ! У випадку вологих з'єднань існує небезпека електрошоку.

Не використовувати мастильно-охолоджувальну рідину в голівці або в інших місцях, де вона може проникати в двигун або в корпус перемикача.

В зв'язку з небезпекою короткого замикання в вентиляційні отвори не повинні потрапляти металеві предмети.

ВИКОРИСТАННЯ ЗА ПРИЗНАЧЕННЯМ

Свердильною стійку можна використовувати для свердління великих отворів в деталях із сталі та інших залізновмісних металів.

ВКАЗІВКИ ЩОДО ЕКСПЛУАТАЦІЇ

MDP 41: Дриль з електромагнітною стійкою тримається завдяки магнітній силі на матеріалах, що містять залізо, товщиною 6,35 мм або більше. Не використовувати на матеріалі, якщо його товщина менша за 6,35 мм. Магнітний цоколь НЕ ТРИМАЄТЬСЯ на немагнітній високосортній сталі.

MDE 41: Дриль з електромагнітною стійкою тримається завдяки магнітній силі на матеріалах, що містять залізо, товщиною 9,5 мм або більше. Не використовувати на матеріалі, якщо його товщина менша за 9,5 мм. Магнітний цоколь НЕ ТРИМАЄТЬСЯ на немагнітній високосортній сталі.

Основа від свердильною стійкою має бути чистою, міцною, гладкою, сухою та без отворів чи лакофарбового покриття.

Захищати свердильну стійку від дощу та не використовувати в вологих, мокрих або вибухонебезпечних середовищах.

Під час усього процесу тиск повинен залишатися незмінним, щоб стружка або задирки не потрапили під фрезерні кромки. Відходи від фрезерування, що потрапляють під фрезу, за певних обставин можуть ускладнити або взагалі унеможливити фрезерувальні роботи.

ПОПЕРЕДЖЕННЯ!

При надмірній дії сили магніт вимикається.

Уникати контакту з кінчиком фрези. Кінчик фрези час від часу перевіряти на наявність незакріплених або пошкоджених кінців.

Для забезпечення тривалого строку експлуатації цих фрезерних машин радимо використовувати мастильно-охолоджуючу рідину.

При роботах на скісних, вертикальних поверхнях та над головою магнітну свердильну стійку необхідно фіксувати ремнем, що входить в комплект постачання.

Запобіжний ремінь встановлювати так, щоб при відмові магнітів свердильна стійка рухалася в напрямку від оператора.

Перевіряти запобіжний ремінь перед кожним використанням на пошкодження та старіння. Не використовувати пошкоджений запобіжний ремінь!

Вставний інструмент може нагріватися під час роботи.

ПОПЕРЕДЖЕННЯ! Безпека опіків

- при заміні інструменту
- при відкладанні приладу

Фрезу слід прибирати лише після того, як буде виїнята заготовка. Заготовка може бути несподівано виштовхнута.

АВТОМАТИЧНА ЗУПИНКА

З функцією автоматичної зупинки машина автоматично вимикається, якщо на магніт діє надвисоке раптове обертальне зусилля. Визначити та усунути причину автоматичної зупинки з урахуванням вказівок з техніки безпеки.

Причиною може бути:

- Пробивання оброблюваного матеріалу
- Перевантаження електроінструмента внаслідок занадто високої подачі
- Нечиста поверхня магніту

Вимкнути і знову увімкнути машину

ЗАХИСТ ВІД ПОВТОРНОГО ЗАПУСКУ

Увімкнена машина не відновлює роботу після збою електроживлення. Для продовження роботи вимкнути і знову увімкнути машину.

ЗАПОБІЖНЕ БЛОКУВАННЯ ДВИГУН/МАГНІТ

Блокування двигун/магніт - це функція безпеки, яка запобігає електроживленню двигуна дріля, коли магніт не увімкнений. Це блокування також забезпечує, що магніт не вимикається, доки працює двигун.

ПІДКЛЮЧЕННЯ ДО МЕРЕЖІ

Підключати лише до однофазного змінного струму і напруги мережі, які вказані на фірмовій таблиці з паспортними даними. Вмикати тільки в штепсельні розетки з захисним контактом.

Мережа має бути обладнана автоматичним запобіжним вимикачем, що діє при появі струму витоку (FI, RCD, PRCD).

Під'єднати машину до штепсельної розетки тільки в вимкненому стані.

З'єднувальний кабель завжди тримати за межами радіуса дії машини. Вести кабель завжди позаду машини.

ОБСЛУГОВУВАННЯ

Перед кожним використанням перевіряти прилад, з'єднувальний кабель, подовжувальний кабель, запобіжний ремінь та штекер на наявність пошкоджень та ознак старіння. Ремонт пошкоджених деталей доручається лише фахівцям.

Завжди підтримувати чистоту вентиляційних отворів.

Час від часу наносити на зубці зубчатої рейки кілька краплин оливи. Підшипники ходового валу самозмащувані, їх не можна змащувати оливою. Змастити поверхню ковзання полозків мастилом Molykote.

Завжди видаляти пил та бруд з приладу. Тримати рукоятку в чистоту та сухому стані, на ній не повинно бути оливи або мастила. Засоби для чищення та розчинники шкідливі для полімерних матеріалів та інших ізолюючих деталей, тому чистити прилад тільки м'яким милом та вологою серветкою. Ніколи не використовуйте легкозаймисті розчинники поблизу приладу.

Використовувати тільки комплектуючі та запчастини Milwaukee. Деталі, заміна яких не описується, замінювати тільки в відділі обслуговування клієнтів Milwaukee (зверніть увагу на брошуру „Гарантія / адреси сервісних центрів“).

У разі необхідності можна запросити креслення з зображенням вузлів машини в перспективному вигляді, для цього потрібно звернутися в ваш відділ обслуговування клієнтів або безпосередньо в Techtronic Industries GmbH, Max-Eyth-Strabe 10, 71364 Winnenden, Німеччина, та вказати тип машини та шестизначний номер на фірмовій таблиці з даними машини.



УКР

СЕРТИФІКАТ ВІДПОВІДНОСТІ ВИМОГАМ ЄС

Ми заявляємо на власну відповідальність, що виріб, описаний в „Технічних даних“, відповідає всім застосовним положенням директиви

2011/65/EU (RoHS), 2006/42/EC,
2004/108/EC (до 19 Квітня 2016),
2014/30/EU (од 20 Квітня 2016)

та наступним гармонізованим нормативним документам:

EN 55014-1:2006+A1:2009+A2:2011
EN 55014-2:1997 + A1:2001 + A2:2008
EN 61000-3-2:2014
EN 61000-3-3:2013
EN 50581:2012

та наступним нормативним документам
EN 62841-1:2015



Winnenden, 2015-11-25

Alexander Krug / Managing Director
Уповноважений із складання технічної документації.
Techtronic Industries GmbH
Max-Eyth-Strasse 10, 71364 Winnenden, Germany

СИМВОЛИ



УВАГА! ПОПЕРЕДЖЕННЯ! НЕБЕЗПЕЧНО!



Перед будь-якими роботами на машині витягнути штекер із штепсельної розетки.



Коли свердлильна стійка використовується на стелі, працювати необхідно завжди вдвох. Переносити електроінструмент завжди вдвох, щоб запобігти травмам спини.



Уважно прочитайте інструкцію з експлуатації перед введенням приладу в дію.



Під час роботи з машиною завжди носити захисні окуляри.



Використовувати засоби захисту органів слуху!



Носити захисні рукавиці!



НЕБЕЗПЕЧНО! Щоб запобігти травмуванню, тримати руки, ганчір'я, одяг та ін. на безпечній відстані від рухомих частин та стружки. Ні в якому разі не видаляти стружку, доки фреза ще обертається. Стружка має гострі кромки, вона може затягнути предмети в рухомі частини.



Заборонено носити металеві вироби та годинники.



Особи з кардіостимуляторами або іншими медичними імплантатами не повинні користуватися цією стійкою для свердління.



Заборонено мати при собі магнітні або електронні носії даних.



Не тримати машину під дощем.



Свердло для керованого свердління



Суцільне свердло



Електричні прилади не можна утилізувати з побутовими відходами. Електричні та електронні прилади необхідно збирати окремо та здавати в спеціалізовані підприємства для утилізації, що не шкодить навколишньому середовищу. Зверніться до місцевих органів або до вашого дилера, щоб отримати адреси пунктів вторинної переробки та пунктів прийому.



Електроінструмент класу захисту II. Електроінструмент, в якому захист від враження електричним струмом залежить не лише від базової ізоляції, але й від використуваних додаткових засобів захисту, таких як подвійна ізоляція або посилена ізоляція. Немає пристроїв для підключення захисного з'єднання.



Знак CE



TR 066

Знак відповідності для UKrSEPRO



Знак відповідності для Європи та Азії EurAsian

قبل كل استخدام قم بفحص الجهاز وسلك توصيل الجهاز بالتيار وسلك الإمداد بالتيار وحزام الأمان والقفازات عما إذا كان بهم أضرار أو تقادم. الأجزاء التي بها أضرار يتم إصلاحها من شخص متخصص فقط.

يجب أن تكون فتحات تهوية الجهاز نظيفة طوال الوقت. ضع قطرات قليلة من الزيت على أسنان المحمل من وقت لآخر. محامل التلقيم مقطوع ذاتياً ويجب ألا يتم تشحيمها. قم بتشحيم سطح الحامل المنزلق بزيت Molykote.

نظف الأداة من الغبار والحطام. اجعل مقابض الأداة نظيفة وجافة وخالية من الزيت أو الشحم. استخدم الصابون الرقيق والملابس الرطبة لتنظيف الأداة فقط حيث إن مواد ومحاليل التنظيف تتسبب في تلف البلاستيك وأجزاء أخرى معزولة. لا تستخدم المحاليل القابلة للاحتراق أو الاشتعال حول الأداة.

استخدم فقط ملحقات ميلوكي وكذلك قطع غيار ميلوكي. إذا كانت المكونات التي يجب تغييرها غير منكورة، يرجى الاتصال بأحد عملاء صيانة ميلوكي (انظر قائمة عناوين الضمان/الصيانة الخاصة بنا).

عند الحاجة يمكن طلب رمز انفجار الجهاز بعد ذكر طراز الألة والرقم السداسي المذكور على بطاقة طاقة الألة لدى جهة خدمة العملاء أو مباشرة لدى شركة



Techtronic Industries GmbH
Max-Eyth-Straße 10, 71364 Winnenden
المانيا

تنبيه! تحذير! خطراً!



افصل دائما القابس عن المقبس قبل تنفيذ أي عمل بالجهاز.



اعمل دائماً في ثنائيات عند استخدام حامل المثقاب في مكان مرتفع أعلى الرأس. احمل الأداة الكهربائية بينما لتجنب إصابات الظهر.



يرجى قراءة التعليمات بعناية قبل بدء تشغيل الجهاز.



ارتد دائماً نظارات الوقاية عند استخدام الجهاز.



ارتد واقيات الأذن!



ارتد القفازات!



تنبيه لتقليل خطر الإصابة، أتق يدك والخرق والملابس وما إلى ذلك بعيداً عن الأجزاء المتحركة والشطابيا. لا تقم بمحاولة إزالة الشطابيا أثناء عمل القاطع. الشطابيا حادة ويمكن أن تتسبب في سحب الأشياء إلى داخل الأجزاء المتحركة.



يُحظر نقل الأجزاء المعدنية وفحصها.



لا يُسمح للأشخاص الذين يعانون أمراضاً بالقلب أو لديهم أجهزة طبية مزروعة باستخدام حامل المثقاب هذا.



يحظر معالجة الوسائط المغناطيسية أو الإلكترونية.



لا تعرض الألة للمطر مطلقاً.



مثقاب ثقب المحور



مثقاب كامل



يحظر التخلص من الأجهزة الكهربائية في القمامة المنزلية. يجب جمع الأجهزة الكهربائية والإلكترونية منفصلة وتسلمها للتخلص منها بشكل لا يضر بالبيئة لدى شركة إعادة الاستغلال. الرجاء الاستفسار لدى الهيئات المحلية أو لدى التجار المتخصصين عن مواقع إعادة الاستغلال ومواقع الجمع.



إعلان المطابقة - الاتحاد الأوروبي



علامة المطابقة الأوروبية



TR 066

إعلان المطابقة - الاتحاد الأوروبي



إعلان المطابقة - الاتحاد الأوروبي

نعلن تحت مسؤوليتنا وحدنا أن المنتج المعين تحت اسم „البيانات الفنية“ يتوافق جميع الأحكام ذات الصلة ضمن التوجيهات

EU (Rohs), 2006/42/EG/2011/65
EG/2004/108 (إلى غاية 19 أبريل 2016),
EU/2014/30 (من 20 أبريل 2016)
والمعايير المتسقة التالية

EN 55014-1:2006+A1:2009+A2:2011
EN 55014-2:1997 + A1:2001 + A2:2008
EN 61000-3-2:2014
EN 61000-3-3:2013
EN 50581:2012
والمعايير التي تم استخدامها
EN 62841-1:2015



Winnenden, 2015-11-25

Alexander Krug / Managing Director
معتمدة للمطابقة مع الملف الفني

Techtronic Industries GmbH
Max-Eyth-Straße 10, 71364 Winnenden, Germany

توصيل الموصلات الرئيسية

قم بالتوصيل بمصدر تيار متردد أحادي الطور وبنظام الجهد الكهربائي المحدد على لوحة الجهد المقتن فقط. يجب استخدامها فقط عن طريق المقابس المؤرسة. التوصيل المسبق لجهاز يعمل بالتيار المتبقي (جهاز عزل الأخطاء، جهاز العزل للجهاز التيارات المتبقي، جهاز التيار المتبقي المحمول)

يتم توصيل القابس فقط عندما تكون الآلة مطفأة. ابق السلك الرئيسي بعيدا عن نطاق عمل الجهاز. ابق دائما السلك بعيدا عنك أو خلفك. لا تدع أي جزء معدنية تلمس فتحات التهوية - خطر قصر الدائرة!

نظيف وثابت ومستوي وجاف وخالي من الحفر والطلاء.

لا تعرض حامل المثقاب لمياه الأمطار ولا تستخدمه في الغرف الرطبة أو الغرف غير المضادة لحرارة.

حافظ على الضغط الثابت خلال العملية بأكملها لتجنب سقوط الشطابا والنتوءات تحت الحواف القاطعة. قد يتسبب تقطيع الحطام تحت آلة القطع في جعل عملية التقطيع صعبة أو مستحيلة.

تحذير!

ستعمل القوة المفرطة على كسر المجال المغناطيسي.

تجنب ملامسة أطراف آلة القطع. وافحص أطراف آلة القطع بشكل دوري بحثاً عن أطراف مفكوكة أو تالفة.

يُوصى باستخدام سائل التقطيع للحفاظ على عمر آلات القطع لأطول وقت ممكن.

في حالة العمل على الأسطح المائلة والرأسية وفوق الرأس يجب تأمين حامل المثقاب المغناطيسي بواسطة الحزام المراد مع المنتج.

يجب تركيب حزام الأمان بحيث يسقط حامل المثقاب بعيداً عن المستخدم في حالة تعطل المغناطيس.

يجب فحص حزام الأمان قبل كل استعمال عما إذا كان به أضرار أو آثار تقادم. لا تستخدم إحزمة الأمان التي بها أضرار! الأداة المستخدمة قد تسخن خلال الاستخدام.

تحذير! هناك خطر الإصابة بحروق

عند استبدال الأداة

عند وضع الجهاز

تجنب إزالة آلة القطع إلا عند إزالة القلب المعدني. قد يخرج القلب المعدني بطريق الخطأ.

إيقاف أوتوماتيكي

بالإيقاف الأوتوماتيكي سوف يتم إيقاف الماكينة أوتوماتيكياً في حالة قوة الدوران المفاجئة الزائدة عن اللازم على المغناطيس. قم بالتوصل وإزالة سبب الإيقاف الأوتوماتيكي مع مراعاة إرشادات الأمان.

الأسباب الممكنة لذلك يمكن أن تكون هي:

إنكسار المواد المستخدمة.

زيادة حمل الآلة الكهربائية نتيجة تحرك الآلة إلى الأمام

سطح مغناطيسي غير نظيف

قم بإيقاف وإعادة تشغيل الماكينة

حماية ضد إعادة التشغيل

إذا كانت الآلة لا تزال قيد التشغيل فلن يُعاد تشغيلها بعد انقطاع الطاقة. لإعادة تشغيل الآلة يجب فصل الكهرباء عنها ثم توصيلها مجدداً.

المحرك/ التعشيق المغناطيسي

إن مزية المحرك/ التعشيق المغناطيسي تمنع اتصال محرك المثقاب بالطاقة إذا كان المغناطيس غير متصل بالطاقة. كما يعمل أيضاً التعشيق المغناطيسي للمحرك على عدم فصل الطاقة عن المغناطيس أثناء تشغيل المحرك.

MDE 41	MDP 41	البيانات الفنية ماكينة ثقب بقلب مغناطيسي
4523 56 02... 4523 50 02... ... 000001-999999	4523 43 02... ... 000001-999999	رمز الإنتاج
1200 W	1200 W	الدخل المقدر
475 min ⁻¹ 730 min ⁻¹	475 min ⁻¹ 730 min ⁻¹	السرعة دون وجود حمل السرعة الأولى السرعة دون وجود حمل السرعة الثانية
146 mm	146 mm	الشوط
9,93 kN	8,89 kN	أقصى طاقة للمغناطيس
41 mm	41 mm	أقصى قطر للحفر مثقاب مزود بلقمة مركزية للثقوب
13 mm	13 mm	أقصى قطر بلقمة مثقاب مصممة
19 mm Weldon	19 mm Weldon	مستقبل عمود الدوران
13,5 kg	14 kg	الوزن وفقاً لنهج EPTA رقم 01/2003
معلومات الضوضاء		
القيم التي تم قياسها محددة وفقاً للمعايير الأوروبية EN 61029 مستويات ضوضاء الجهاز، ترحيح أبشكال نموذجي كالتالي:		
95,0 dB(A) 106,0 dB(A)	95,0 dB(A) 106,0 dB(A)	مستوى ضغط الصوت (الارتياح في القياس (ك = 3 ديسيبل (A)) مستوى شدة الصوت (الارتياح في القياس (ك = 3 ديسيبل (A))
ارتد و أقيات الأذن!		
معلومات الاهتزاز		
قيم الذبذبات الإجمالي (مجموع الكميات الموجبة في المحاور الثلاثة) محددة وفقاً للمعايير الأوروبية EN 61029.		
2,17 m/s ² 1,5 m/s ²	2,17 m/s ² 1,5 m/s ²	قيمة انبعاث الذبذبات a _h الارتياح في القياس =



Ara

تحذير

تم قياس مستوى انبعاث الذبذبات الموجود بوثيقة المعلومات هذه وفقاً للاختبار القياسي وفقاً للمعايير الأوروبية EN 61029 ويمكن استخدامه لمقارنة جهاز بغيره. كما يمكن استخدامه لعرض تقييم تمهيدي.

يمثل مستوى انبعاث الذبذبات المعلن عنه تطبيقات الجهاز الرئيسية. بالرغم من ذلك، فإنه إذا ما تم استخدام الجهاز لتطبيقات مختلفة، بملحقات مختلفة أو لم يتم المحافظة عليه، فقد يختلف انبعاث الذبذبات. قد يزيد ذلك بصورة كبيرة من مستوى التعرض للذبذبات طوال فترة العمل الإجمالية.

يجب الوضع في الاعتبار عند تقدير مستوى التعرض للذبذبات مرات إيقاف الجهاز أو تشغيله لكن دون استخدامه في القيام بمهمة. فقد يقل ذلك بصورة كبيرة من مستوى التعرض للذبذبات طوال فترة العمل الإجمالية.

تعرف على معايير السلامة الإضافية لحماية المشغل من آثار الذبذبات مثل: صيانة الجهاز والملحقات، الحفاظ على دفة الأيدي، وتنظيم نماذج العمل.



تحذير! اقرأ جميع تحذيرات السلامة وجميع التعليمات، لا تستخدم سائل تبريد القطع في الوضع العمودي أو أي وضع آخر ينتج لسائل تبريد القطع الدخول إلى المحرك أو مجموعة المقاتيح.

احتفظ بجميع التنبيهات والتعليمات للرجوع إليها مستقبلاً.

شروط الاستخدام المحددة

يتناسب استخدام حامل المثقاب مع حفر الثقوب الكبيرة في المعادن الصلبة والمعادن الحديدية الأخرى.

نصائح العمل

MDP 41: يأتي المثقاب الضغطي الكهرومغناطيسي بقدرة على المغنطة تصل إلى 6,35 مم أو أجزاء حديدية ذات سمك أكبر. لا تستخدم أجزاء أقل سمكاً من 6,35 مم. فإن القاعدة المغناطيسية لن تتحمل الدرجات غير المغنطة من الفولاذ المقاوم للصدأ.

MDE 41: يأتي المثقاب الضغطي الكهرومغناطيسي بقدرة على المغنطة تصل إلى 9,5 مم أو أجزاء حديدية ذات سمك أكبر. لا تستخدم أجزاء أقل سمكاً من 9,5 مم. فإن القاعدة المغناطيسية لن تتحمل الدرجات غير المغنطة من الفولاذ المقاوم للصدأ. يجب أن يكون السطح السفلي الموجود أسفل حامل المثقاب

تعليمات السلامة ماكينة ثقب بقلب مغناطيسي

استخدم دائماً درع الوقاية عند تشغيل الآلة. استخدم عدة الوقاية. ارتد دائماً نظارة الوقاية عند العمل بالآلة. ينصح باستخدام الملابس الوقائية مثل الكمامات الواقية من الغبار، والقفازات، والأحذية القوية غير المنزقة، والخوذات، وواقيات الأذن.

لا تصل أبداً إلى منطقة الخطر للألة عندما تكون قيد التشغيل. لا يجب إزالة النشارة والشطايا أثناء تشغيل الآلة.

لا تستخدم ملحفاً تالفاً.

ثبّت قطعة العمل أو قم بتأمينها لتقليل خطر الإصابة، لا تقم بجمع قطعة العمل باليد.

تحذيراً تسبب الموصلات المبللة صدمة كهربائية.

Copyright 2015

Techtronic Industries GmbH
Max-Eyth-Straße 10
71364 Winnenden
Germany

+49 (0) 7195-12-0



EAC

(11.15)

4931 4250 85